



Die cast aluminum wiring box with ground screw, and two sturdy lugs for wall or ceiling mounting. Supplied with four color matched close-up plugs.

Color: Bronze

Weight: 0.6 lbs

Project:	Type:
Prepared By:	Date:

**Technical Specifications**

**Compliance**

**UL Listed:**

Suitable for wet locations

**Construction**

**Box Material:**

Precision die cast aluminum

**Screws:**

10-24 Stainless steel Round Head Phillips/slotted

**Ground Screw:**

# 10-24 Green corrosion protected steel slotted washer head screw provided in pre-tapped hole

**Box Diameter:**

4"

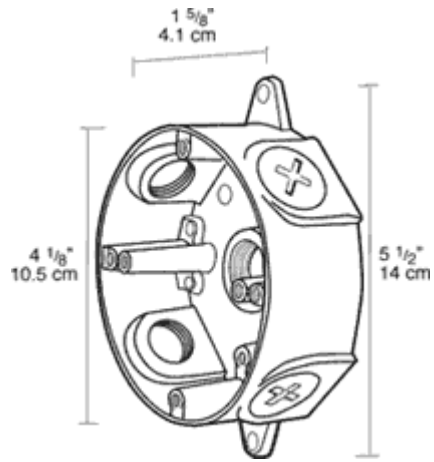
**Side Hole Thread Size:**

3/4"

**Weight Capacity:**

If the fixture you are using weighs more than 20 lbs, use an XC cover plate instead of a C103.

**Dimensions**



**Features**

- Stainless steel screws
- Green hex slotted washer head ground screw in pre-tapped hole
- Heavy die cast aluminum
- Close-up plugs allow Phillips or slotted screwdrivers for easy installation