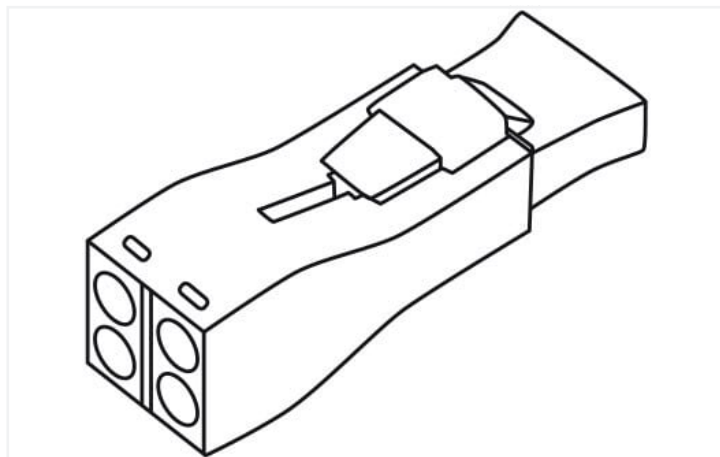
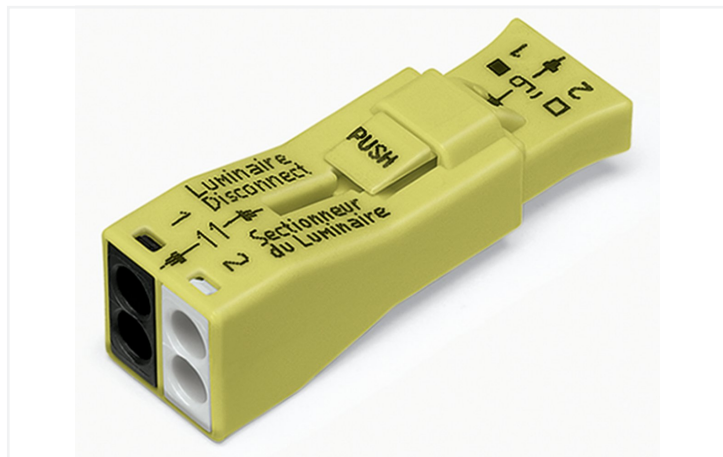


# Data Sheet | Item Number: 873-902

Luminaire disconnect connector; 2-pole; 4,00 mm<sup>2</sup>; yellow

<https://www.wago.com/873-902>



Color: ■ yellow

Luminaire disconnect connector, 873 Series, Push-in

Error-free electrical installations are guaranteed with this luminaire disconnect connector (item number 873-902). Ensure that the strip lengths are between 11 mm and 13 mm when connecting conductors to this luminaire disconnect connector. This product features conductor terminals and utilizes PUSH WIRE® as well as PUSH WIRE®. Our trusted PUSH WIRE® connection offers the fastest method for clamping conductors. It utilizes the conductor's stiffness to overcome the clamping spring's contact force. Dimensions: 13 x 13.2 x 42 mm (width x height x depth). Depending on the type of conductor, this luminaire disconnect connector is designed for conductor cross sections ranging from 0.75 mm<sup>2</sup> to 4 mm<sup>2</sup>.

## Notes

Note

Touchproof connectors are required for ballast supply cables in the USA and Canada. When exchanging a ballast:

1. The touch-proof plug-in connection is disconnected first.
  2. The ballast is replaced.
  3. Network connection is restored by plugging the connection.
- Reconnection streamlines ballast replacement while enhancing safety by safeguarding the installer from electric shock. The 873 Series is approved according to UL 2459 and CSA 22.2 for this type of application.

## Electrical data

Ratings per	EN 60998		
Overvoltage category	III	III	II
Pollution degree	3	2	2
Nominal voltage	-	-	400 V
Rated surge voltage	-	-	4 kV
Rated current	-	-	6 A

Ratings per	EN 61984		
Overvoltage category	III	III	II
Pollution degree	3	2	2
Nominal voltage	-	-	-
Rated surge voltage	-	-	-
Rated current	-	-	-

## Connection data

Clamping units	6
Total number of potentials	2

Connection 1	
Connection type 1	Plug
Connection technology	PUSH WIRE®
Actuation type	Push-in
Connectable conductor materials	Copper
Solid conductor	0.75 ... 4 mm <sup>2</sup> / 18 ... 12 AWG
Stranded conductor	16 ... 12 AWG
Strip length	11 ... 13 mm / 0.43 ... 0.51 inches
Pole number	2

### Connection 2

Connection type	Socket
Connection technology	PUSH WIRE®
Actuation type	Push-in
Solid conductor	18 AWG
Strip length	9 ... 11 mm / 0.35 ... 0.43 inches

### Physical data

Width	13 mm / 0.512 inches
Height	13.2 mm / 0.52 inches
Depth	42 mm / 1.654 inches

### Mechanical data

Marking	1 2
---------	-----

### Material data

Note (material data)	<a href="#">Information on material specifications can be found here</a>
Color	yellow
Fire load	0.103 MJ
Weight	4.8 g

### Commercial data

Product Group	8 (Misc. Chassis Mount Blocks)
eCl@ss 10.0	27-44-03-14
eCl@ss 9.0	27-44-03-14
ETIM 9.0	EC002560
ETIM 8.0	EC000458
PU (SPU)	400 (40) pcs
Packaging type	Box
Country of origin	CN
GTIN	4045454548421
Customs tariff number	85366990990

### Environmental Product Compliance

RoHS Compliance Status	Compliant, No Exemption
------------------------	-------------------------

### Approvals / Certificates

#### General approvals



Approval	Standard	Certificate Name
CCA DEKRA Certification B.V.	EN 61984	NTR NL-7390
CCA DEKRA Certification B.V.	EN 61984	2178521.01
CCA DEKRA Certification B.V.	EN 60998	71-114174
CCA DEKRA Certification B.V.	EN 60998	NTR NL-7391

#### General approvals


CSA DEKRA Certification B.V.	C22.2 No. 182.3	1961671
UL UL International Germany GmbH	UL 2459	E313353

Declarations of conformity and manufacturer's declarations



Approval	Standard	Certificate Name
EU-Declaration of Conformity WAGO GmbH & Co. KG	-	-
UK-Declaration of Conformity WAGO GmbH & Co. KG	-	-

Downloads

Environmental Product Compliance


Compliance Search
Environmental Product Compliance 873-902 

Documentation

Bid Text			
873-902	19.02.2019	xml 3.11 KB	
873-902	21.02.2019	docx 14.78 KB	

CAD/CAE-Data

CAD data
2D/3D Models 873-902 

CAE data
ZUKEN Portal 873-902 

Subject to changes. Please also observe the further product documentation!

Current addresses can be found at: [www.wago.com](https://www.wago.com)