

# LEDVANCE Luminaires

## DUAL SELECTABLE NON-CUTOFF WALL PACK 8A

VALUE CLASS™

### Application

The Value Class Dual Selectable Non-Cutoff Wall Pack 8A boasts both wattage and CCT selection capabilities in a slim design that optimizes storage and freight. With an integrated photocell for increased energy savings, the Wall Pack 8A is ideal for illuminating building exteriors, outdoor corridors, walkways, and stairwells.

### Benefits and Features

- DLC 5.1 Premium Listing assures high energy efficiency and qualifies this product for utility rebates
- Integrated photocell for additional energy savings
- Up to 140 LPW
- Selectable wattage and lumens:
  - 20/30/40W | 2,800/4,200/5,600 lm
  - 40/60/80W | 5,600/8,400/11,200 lm
  - 80/100/120W | 11,200/14,000/16,800 lm
- Selectable color temperature: 3000K, 4000K, and 5000K
- CRI >80

### Electrical

- 120-347 VAC
- Power Factor > 0.9
- THD < 20%
- Dimmable 0-10V

### Rated Life

- 100,000 hours (L<sub>70</sub>)

### Warranty

- 5 year
- NLB Trusted Warranty Program

### Operating Temperature

- -40°F to + 122°F (-40°C to +50°C)



### Wattage Comparison

Traditional Source	Traditional System Wattage	LED System Wattage	Energy Savings
50W HPS/MH	62	20	68%
50W HPS/MH	62	30	52%
70W HPS/MH	92	40	57%
70W HPS/MH	92	40	57%
100W HPS	120	40	67%
100W MH	130	40	69%
100W HPS	120	60	50%
100W MH	130	60	54%
150W HPS	170	80	53%
150W MH	188	80	57%
175W HPS/MH	210	80	62%
175W HPS/MH	210	100	52%
250W HPS	295	100	66%
250W MH	290	100	66%
250W HPS	295	120	59%
250W MH	290	120	59%
400W HPS	460	120	74%
400W MH	450	120	73%

### Certifications and Listings

- cULus listed to UL1598 standards
- RoHs
- FCC
- IP65, wet location
- DLC 5.1 Premium

### Installation

- Wall mount



Catalog #	Type
Project	
Comments	
Prepared by	

Ordering Guide

WALPAKN	8A /	SXXX	UNH	D	8	SC2 /	BZ /	P
Product Name	Generation	Wattage	Voltage	Dimming	CRI	Color Temperature	Finish	Options
WALPAKN= Wall Pack	8A= Generation 8A	S040=20/30/40W	UNH= 120-347V	D= 0-10V Dimming	8= >80	SC2=	BZ= Bronze	P= Photocell
Non-Cutoff		S080=40/60/80W				3000/4000/5000K		E=Emergency
		S120=80/100/120W						

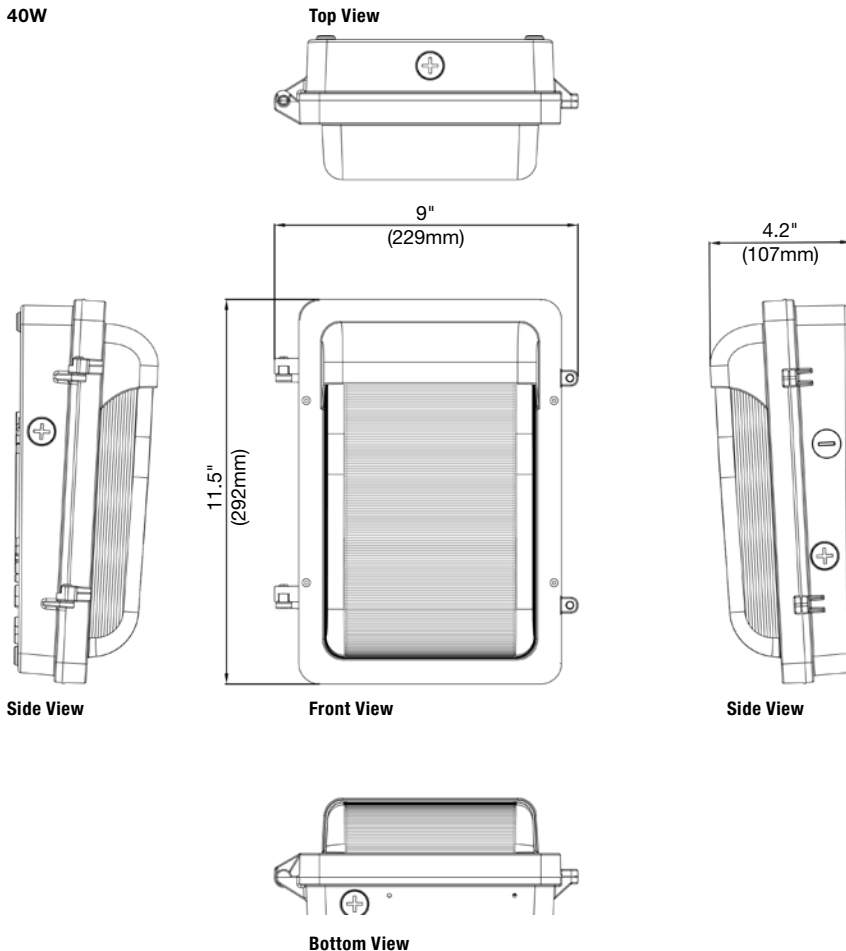
Ordering Information

Item Number	Ordering Abbreviation	Wattage (W)	Input Voltage (V)	Dimming (V)	CRI	Color Temp (CCT)	Typical Lumens (lm)	Bug Rating	DLC	LPW	Options
63655	WALPAKN8A/S040UNHD8SC2/BZ/P	20/30/40	120-347	0-10	>80	3000/4000/5000K	2,800/4,200/5,600	B1U3G3	5.1 Prem	Up To 140	Photocell
63656	WALPAKN8A/S080UNHD8SC2/BZ/P	40/60/80	120-347	0-10	>80	3000/4000/5000K	5,600/8,400/11,200	B1U3G4	5.1 Prem	Up To 140	Photocell
63657	WALPAKN8A/S120UNHD8SC2/BZ/P	80/100/120	120-347	0-10	>80	3000/4000/5000K	11,200/14,000/16,800	B1U4G5	5.1 Prem	Up To 140	Photocell
63832	WALPAKN8A/S120UNHD8SC2/BZ/PE	80/100/120	120-347	0-10	>80	3000/4000/5000K	11,200/14,000/16,800	B1U4G5	5.1 Prem	Up To 140	Photocell, EMBB

Physical Information

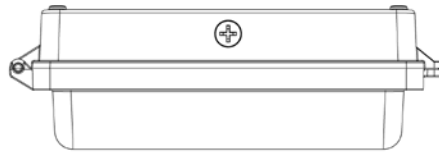
Luminaire Description	Length in (mm)	Width in (mm)	Height in (mm)	Weight lb (kg)
40W	9 (229)	11.5 (292)	4.2 (107)	5.1 (130)
80W	13.8 (351)	8.9 (226)	4.5 (114)	7.3 (185)
120W	17.8 (452)	12.8 (325)	4.5 (114)	7.3 (185)

40W

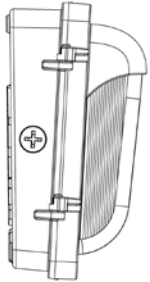


**Physical Information (continued)**

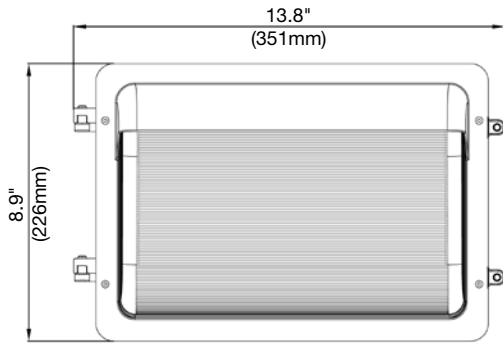
**80W**



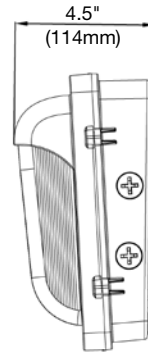
**Top View**



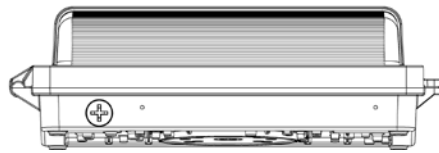
**Side View**



**Front View**



**Side View**

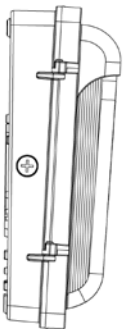


**Bottom View**

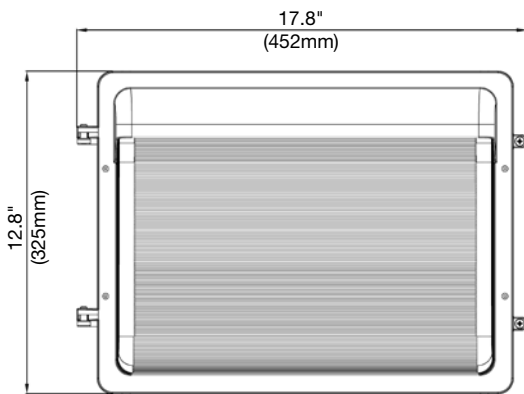
**120W**



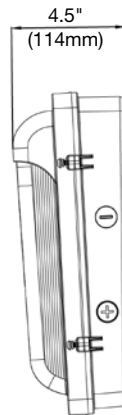
**Top View**



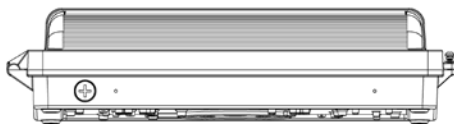
**Side View**



**Front View**



**Side View**



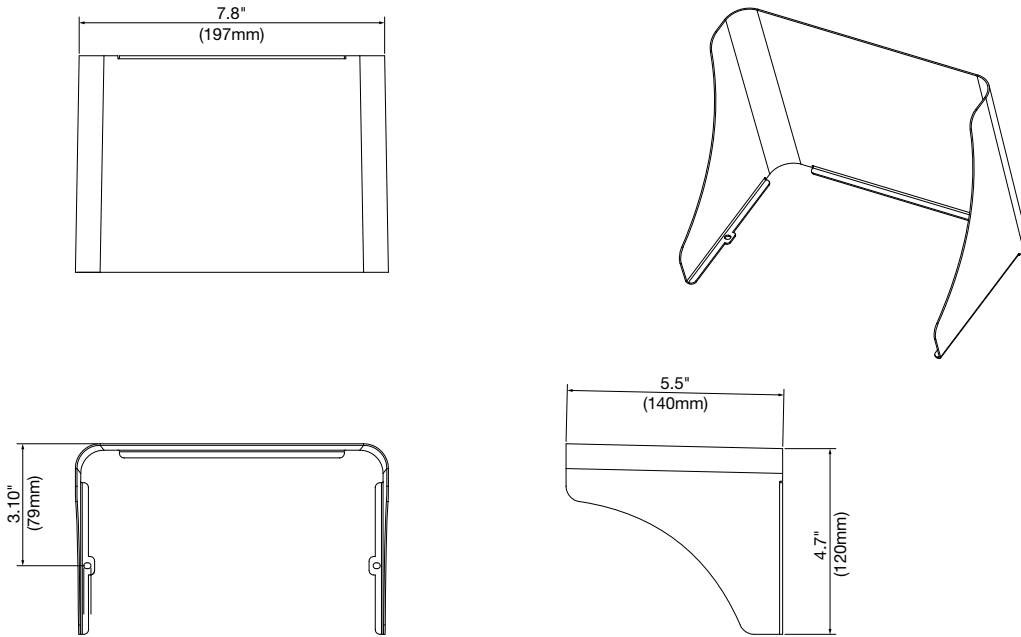
**Bottom View**

## Accessories

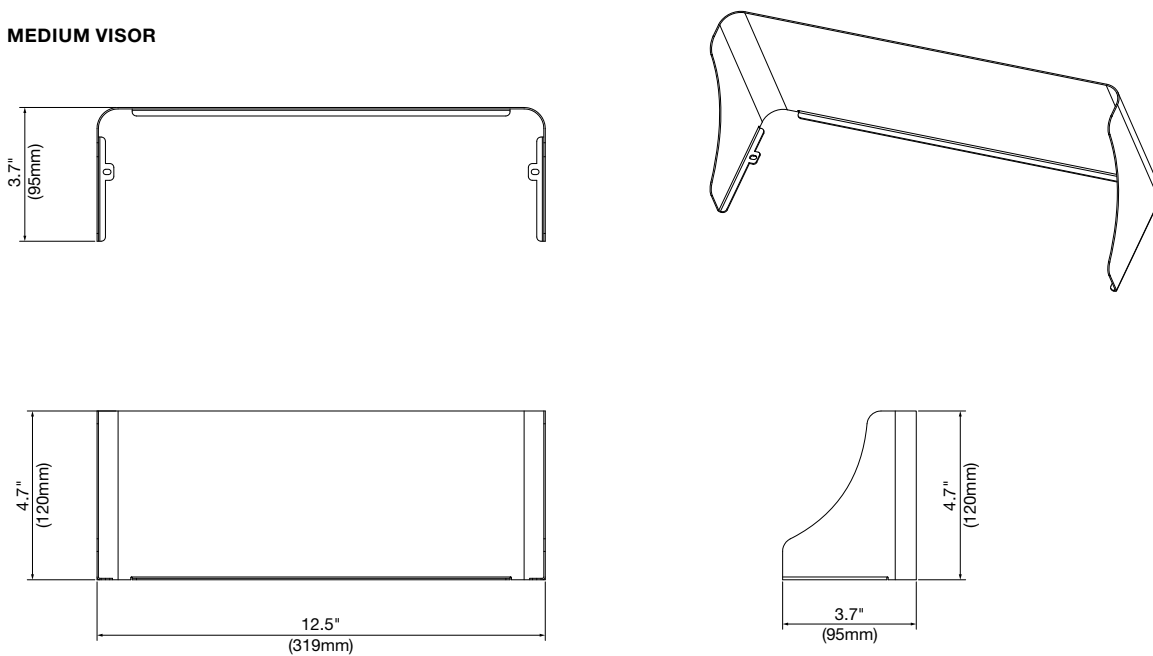
NAED	Ordering Abbreviation	Description
63833	WALPAKN8ASMALLVISORBZ	Small Visor, Bronze
63834	WALPAKN8AMEDVISORBZ	Medium Visor, Bronze
63835	WALPAKN8ALRGVISORBZ	Large Visor, Bronze
63836	WALPAKN8ASMALLWGAL	Small Wire Guard, Aluminum
63837	WALPAKN8AMEDWGAL	Medium Wire Guard, Aluminum
63838	WALPAKN8ALRGWGAL	Large Wire Guard, Aluminum

## Visor Accessories: Physical information

### SMALL VISOR

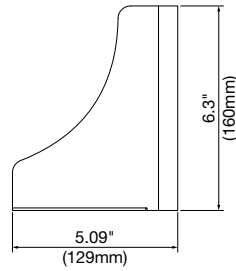
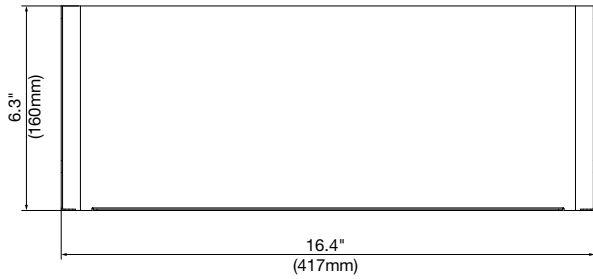
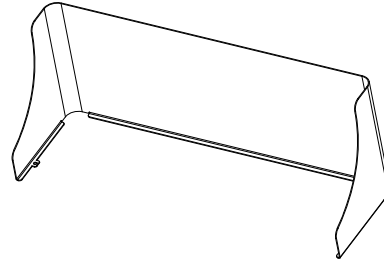
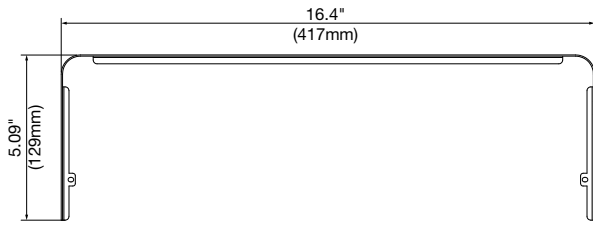


### MEDIUM VISOR



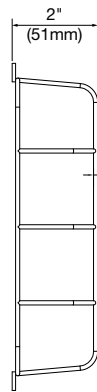
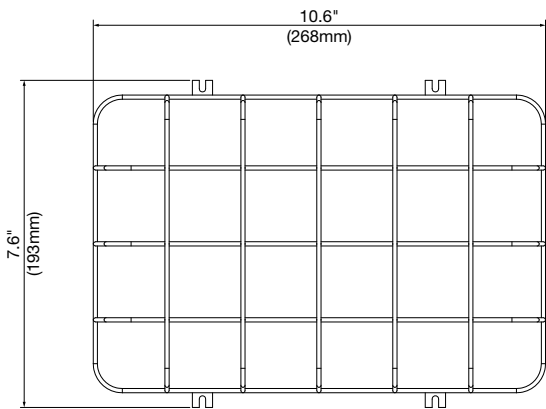
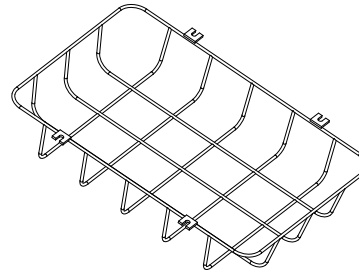
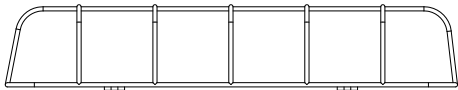
## Visor Accessories (continued)

### LARGE VISOR



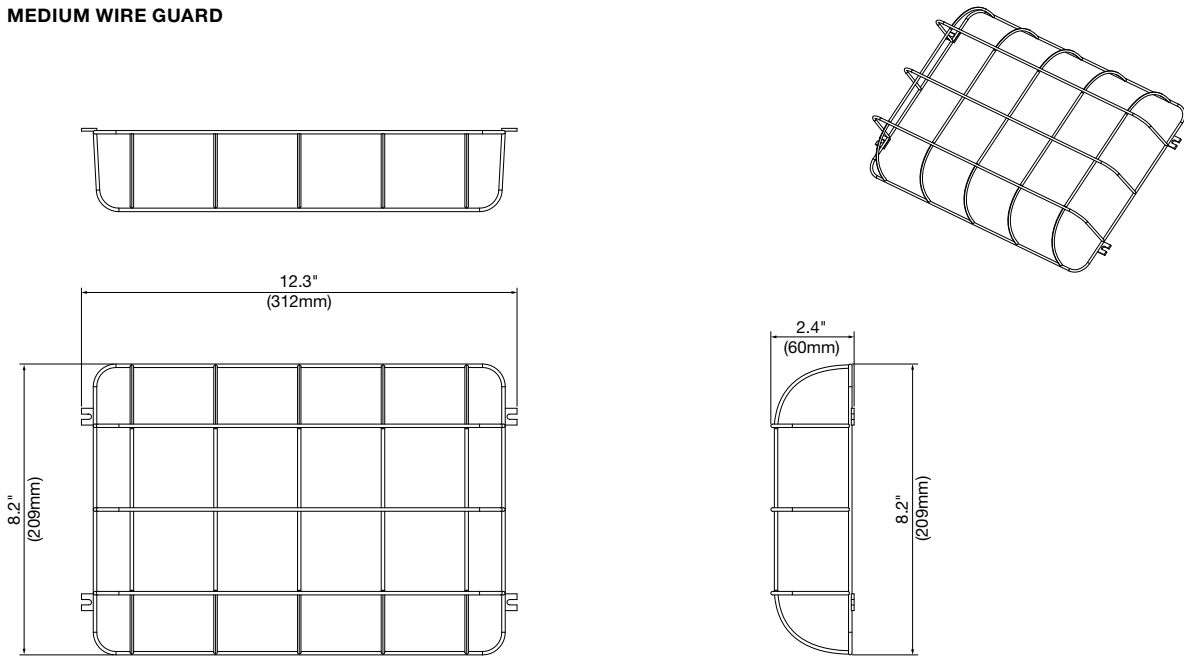
## Wire Guard Accessories: Physical information

### SMALL WIRE GUARD

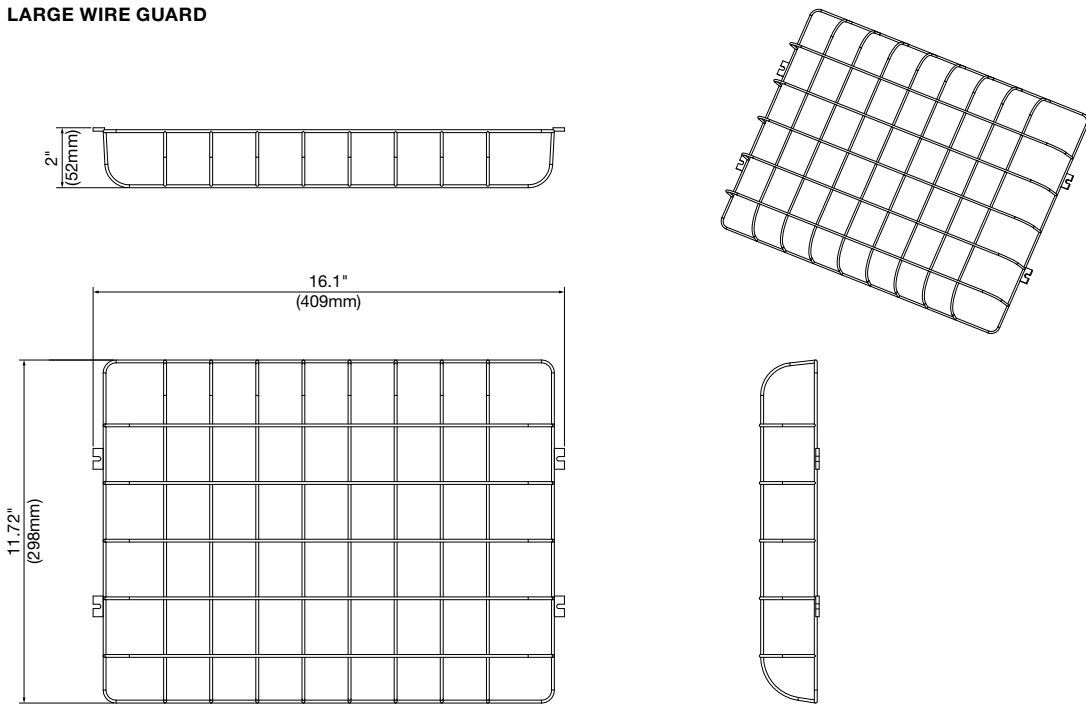


## Wire Guard Accessories (continued)

### MEDIUM WIRE GUARD



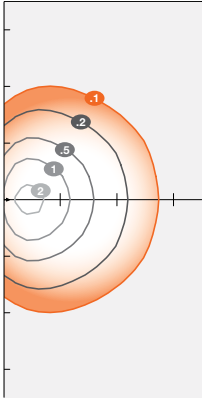
### LARGE WIRE GUARD



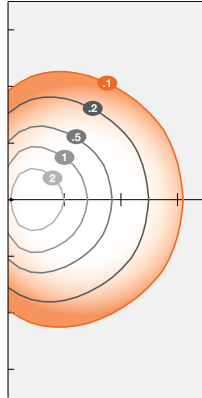
## Photometric Information

Horizontal ISO foot-candle plot

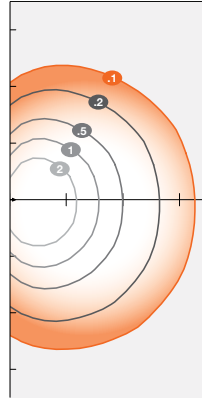
**20W fixture at 20' mounting height**



**30W fixture at 20' mounting height**

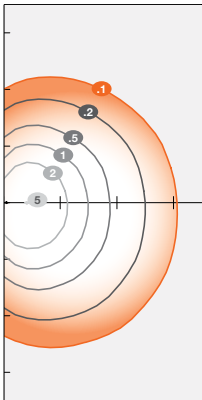


**40W fixture at 20' mounting height**

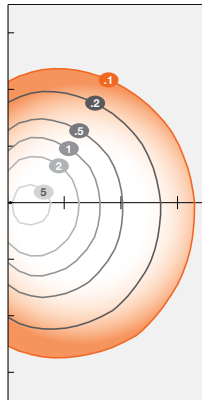


Mounting Height (ft)	15	18	20	22	25	30
Multiplier	1.78	1.23	1.00	0.83	0.64	0.44

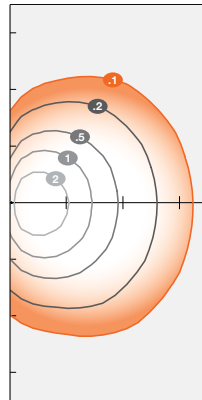
**60W fixture at 25' mounting height**



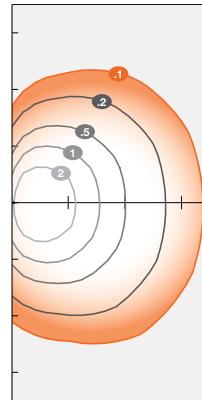
**80W fixture at 25' mounting height**



**100W fixture at 35' mounting height**



**120W fixture at 35' mounting height**



Mounting Height (ft)	15	20	22	25	30	35
Multiplier	2.78	1.56	1.29	1	0.69	0.51

Mounting Height (ft)	22	25	30	35	40	45
Multiplier	2.53	1.96	1.36	1	0.77	0.60

LEDVANCE LLC  
 181 Ballardvale Street, Suite 203  
 Wilmington, MA 01887 USA  
 Phone 1-800-LIGHTBULB (1-800-544-4828)  
[www.ledvanceUS.com](http://www.ledvanceUS.com)

LEDVANCE is a registered trademark. All other trademarks are those of their respective owners. Specifications subject to change without notice.



SCAN TO FOLLOW US  
ON SOCIAL MEDIA

