



<b>Project:</b>	<b>Type:</b>
<b>Prepared By:</b>	<b>Date:</b>

Driver Info		LED Info	
Type	Constant Current, Class 2	Watts	11W
120V	0.11A	Color Temp	2700/3000/3500/4000/5000K
208V	N/A	Color Accuracy	90 CRI
240V	N/A	L70 Lifespan	50,000 Hours
277V	N/A	Lumens	1,100 lm
Input Watts	11W	Efficacy	100

**Technical Specifications**

**Performance**

**Product Type:**

Retrofit Wafer

**Description:**

Looks like a wafer-style downlight from below the ceiling but installs into existing recessed housings.

**Wattage Equivalency:**

60W Incandescent

**Input Wattage:**

11W

**Lumens (Nominal):**

1,100lm

**Efficacy:**

100lm/W

**L70 Lifespan:**

50,000-Hour LED lifespan based on IES LM-70 results

**Electrical**

**Driver:**

Constant Current 120V 60Hz; 120V: 105mA

**Power Factor:**

≥0.9

**Dimmable:**

Yes, dimmable down to 10% on compatible TRIAC/ELV dimming systems. See Dimmer Compatibility List.

**Operating Temperature:**

-4°F to 104°F (-20 to 40°C)

**Flicker:**

≤30%

**LED Characteristics**

**Beam Angle:**

110°±10°

**Color Temperature:**

Default: 3000K

Field adjustable via dip switch

2700/3000/3500/4000K

**Color Accuracy (CRI):**

90 CRI

**R9 Value:**

High color performance with R9 greater than 50

**Color Consistency:**

<4-step MacAdam Ellipse binning to achieve consistent fixture-to-fixture color

**Installation**

**Mounting:**

Recessed, housing required

**Base Type:**

E26 Edison base adapter included

**Construction**

**Size:**

6"

**Shape:**

Round

**Finish:**

White

**Enclosure Material:**

Plastic

**Trim Style:**

Smooth

**Lens Finish:**

Frosted

**Lens:**

Polycarbonate light diffuser distributes light evenly and smoothly for general lighting applications

## Technical Specifications (continued)

### Compliance

---

**Listings:**

UL Listed, UL Classified, UL Recognized

**Environment:**

Suitable for use indoors and outdoors in dry, damp, or wet environments.

**Air Tight:**

Housing certified Air Tight as per ASTM E279

**Energy Star Approved:**

This product is ENERGY STAR® Certified.

**Certification Model Number:**

DLW0158(WFRETRO34-6)

**California Title 20 Compliant:**

Can be used to conform with the requirements of California Title 20

**California Title 24 JA8 Compliant:**

Can be used to conform with the requirements of California Title 24 Part 6.

**California Energy Commission (CEC) Status:**

Lawful for Sales in California

**NEC Compliant:**

Suitable for use in closets. Compliant with NEC Sec. 410.16 (A)(1) and 410.16 (C3).

**IESNA LM-79 & LM-80 Testing:**

RAB LED luminaires and LED components have been tested by an independent laboratory in accordance with IESNA LM-79 and LM-80.

**RoHS:**

Mercury and UV free. RoHS-compliant components.

**FCC:**

Complies with Part 15 of the FCC Rules

### Other

---

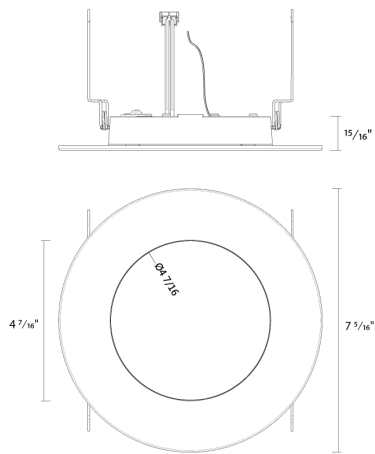
**Compatible Accessories:**

NDCANIC6R  
NDCANIC4R

**5-Year Limited Warranty:**

The RAB 5-year, limited warranty covers light output, driver performance and paint finish. RAB's warranty is subject to all terms and conditions found at [rablighting.com/warranty](http://rablighting.com/warranty).

## Dimensions



## Features

- Flush lens retrofit downlight that looks like a wafer from below the ceiling
- Adjustable color temperature 2700/3000/3500/4000/5000K
- Flush or step baffle lens
- Mounts inside standard 4" or 6" recessed downlight housings
- Air Tight, Wet Location, and 5 year warranty

## Ordering Matrix

Family	Size/Wattage	Shape	CRI/Color Temp	Trim	Finish	Driver
WFRETRO34	6					
	4 = 4", 8W 6 = 6", 11W	R = Round	Blank = 90 CRI, 2700/3000/3500/4000/5000K CCT Adjustable	Blank = Smooth B = Baffle	Blank = White B = Black	Blank = 120V, TRIAC/ELV