



Color: White

Weight: 0.4 lbs

<b>Project:</b>	<b>Type:</b>
<b>Prepared By:</b>	<b>Date:</b>

Driver Info		LED Info	
Type	Constant Current, Class 2	Watts	10/8/06W
120V	0.10A	Color Temp	2700/3000/3500/4000/5000K
208V	N/A	Color Accuracy	90 CRI
240V	N/A	L70 Lifespan	50,000 Hours
277V	N/A	Lumens	835/685/525 lm
Input Watts	10/8/06W	Efficacy	84/86/88 lm/W

**Technical Specifications**

**Performance**

**Product Type:**

Wafer Retrofit

**Description:**

Looks like a wafer-style downlight from below the ceiling but installs into existing recessed housings

**Wattage Equivalency:**

60W Incandescent

**Input Wattage:**

10/8/6W

**Lumens:**

6W  
 2700K @ 561lm;  
 3000K @ 573lm;  
 3500K @ 582lm  
 4000K @ 581lm  
 5000K @ 566lm  
 8W  
 2700K @ 705lm;  
 3000K @ 728lm;  
 3500K @ 742lm;  
 4000K @ 741lm;  
 5000K @ 711lm  
 10W  
 2700K @ 857lm;  
 3000K @ 890lm;  
 3500K @ 920lm;  
 4000K @ 915lm;  
 5000K @ 858lm

**Efficacy:**

6W  
 2700K @ 94lm/W;  
 3000K @ 97lm/W;  
 3500K @ 99lm/W;  
 4000K @ 99lm/W;  
 5000K @ 95lm/W  
 8W  
 2700K @ 88lm/W;  
 3000K @ 92lm/W;  
 3500K @ 95lm/W;  
 4000K @ 94lm/W;  
 5000K @ 89lm/W  
 10W  
 2700K @ 86lm/W;  
 3000K @ 89lm/W;  
 3500K @ 93lm/W;  
 4000K @ 93lm/W;  
 5000K @ 86lm/W

**L70 Lifespan:**

50,000-Hour LED lifespan based on IES LM-70 results

**Electrical**

**Driver:**

Constant Current, Class 2, 60 Hz

**THD:**

20%

## Technical Specifications (continued)

### Power Factor:

0.9

### Dimmable:

Yes, dimmable down to 10% on compatible TRIAC/ELV dimming systems. See Dimmer Compatibility List.

### Input Voltage:

120V

### Operating Frequency:

60 Hz

### Input Current @ 120V (mA):

100mA

### Operating Temperature:

-13°C to 104°F (-25°C to 40°C)

### Flicker:

30%

## LED Characteristics

### Beam Angle:

110°±10°

### Color Temperature:

Field adjustable via dip switch  
2700/3000/3500/4000/5000K

### Color Accuracy (CRI):

≥90

### R9 Value:

High color performance with R9 greater than 50

### Color Consistency:

<4-step MacAdam Ellipse binning to achieve consistent fixture-to-fixture color

### Color Stability:

LED color temperature is warrantied to shift no more than 200K in color temperature over a 5-year period

### Color Uniformity:

RAB's range of Correlated Color Temperature follows the guidelines of the American National Standard for Specifications for the Chromaticity of Solid State Lighting (SSL) Products, ANSI C78.377-2017.

## Installation

### Mounting:

Recessed mounting using existing downlight housings

### Base Type:

E26 Edison Socket Adapter Included in box

## Construction

### Size:

4"

### Shape:

Round

### Finish:

White

### Enclosure Material:

Plastic+Metal

### Trim Style:

Baffle

### Lens Finish:

Frosted

### Lens:

Polycarbonate light diffuser distributes light evenly and smoothly for general lighting applications

## Compliance

### Listings:

UL Listed

### Environment:

Suitable for use indoors and outdoors in dry, damp, or wet environments.

### IC Rated:

No

### Air Tight:

Housing certified Air Tight as per ASTM E283

### Energy Star Approved:

This product is ENERGY STAR® Version 2.2 Certified.

### DLC Listed:

No

### Certification Model Number:

DLW0112(WFRETRO4B)

### California Title 20 Compliant:

No

### California Title 24 JA8 Compliant:

Can be used to conform with the requirements of California Title 24 Part 6

### California Energy Commission (CEC) Status:

Lawful for Sales in California

### NEC Compliant:

Suitable for use in closets. Compliant with NEC Sec. 410.16 (A)(1) and 410.16 (C3).

### IESNA LM-79 & LM-80 Testing:

RAB LED luminaires and LED components have been tested by an independent laboratory in accordance with IESNA LM-79 and LM-80.

### RoHS:

Mercury and UV free. RoHS-compliant components.

### FCC:

Complies with Part 15 of the FCC Rules

## Other

### Compatible Accessories:

NDCANIC4R

4" New construction recessed housing IC rated

RDCANIC4R

4" Remodeler recessed housing IC rated

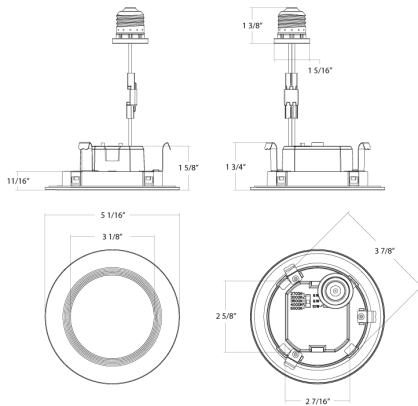
DRI-21-EMGR-DC-D10

Emergency driver T20

### Warranty:

RAB warrants that our LED products will be free from defects in materials and workmanship for a period of five (5) years from the date of delivery to the end user, including coverage of light output, color stability, driver performance and fixture finish. RAB's warranty is subject to all terms and conditions found at [rablighting.com/warranty](http://rablighting.com/warranty).

## Dimensions



## Features

- Edge-lit wafer look that retrofits in existing downlight housings
- Field adjustable: 3 brightness levels & 5 CCTs
- Smooth or step baffle lens
- Mounts inside standard 4" or 6" recessed downlight housings

## Ordering Matrix

Family	Size/Wattage	Shape	CRI/Color Temp	Driver	Finish	Trim
WFRETRO	4					B
	4 = 4", 10/8/6W 6 = 6", 15/13/11W	Blank = Round	Blank = 90 CRI, 2700/3000/3500/4000/5000K CCT Adjustable	Blank = 120V, TRIAC/ELV	Blank = White	Blank = Smooth B = Baffle