

<b>Project:</b>	<b>Type:</b>
<b>Prepared By:</b>	<b>Date:</b>

Driver Info		LED Info	
Type	Constant Current	Watts	9W
120V	0.10A	Color Temp	2700/3000/3500/4000/5000K
208V	N/A	Color Accuracy	90 CRI
240V	N/A	L70 Lifespan	50,000 Hours
277V	N/A	Lumens	750 lm
Input Watts	9W	Efficacy	83

## Technical Specifications

### Performance

**Product Type:**  
Round, Edge-Lit Wafer

### Description:

Round, edge-lit wafers with a slim form factor and selectable color temperatures. Available in 3", 4", 5", 6", and 8" models with either smooth or baffle trim, all with 90 CRI and TRIAC/ELV dimming.

### Wattage Equivalency:

60W Incandescent

### Input Wattage:

9W

### Nominal Lumens:

750lm

### Measured Lumens:

696lm @ 2700K; 725lm @ 3000K; 735lm @ 3500K;  
780lm @ 4000K; 760lm @ 5000K

### Efficacy:

77lm/W @ 2700K;  
81lm/W @ 3000K;  
82lm/W @ 3500K;  
87lm/W @ 4000K;  
84lm/W @ 5000K

### L70 Lifespan:

50,000-Hour LED lifespan based on IES LM-70 results

### Electrical

#### Driver:

Constant Current, Class 2 60 Hz; 120V: 100mA

#### THD:

≤20%

#### Power Factor:

≥0.9

#### Dimmable:

Yes, dimmable down to 10% on compatible TRIAC/ELV dimming systems. See Dimmer Compatibility List.

#### Input Voltage:

120V

#### Operating Frequency:

60 Hz

#### Operating Temperature:

-22°F to 104°F (-30°C to 40°C)

### LED Characteristics

#### Beam Angle:

110°±10°

### Color Temperature:

Field adjustable via dip switch  
2700/3000/3500/4000/5000K

### Color Accuracy (CRI):

>90 CRI

### R9 Value:

High color performance with R9 greater than 50

### Color Consistency:

<4-step (2700K & 5000K) MacAdam Ellipse binning to achieve consistent fixture-to-fixture color

### Color Stability:

LED color temperature is warranted to shift no more than 200K in color temperature over a 5-year period

### Color Uniformity:

RAB's range of Correlated Color Temperature follows the guidelines of the American National Standard for Specifications for the Chromaticity of Solid State Lighting (SSL) Products, ANSI C78.377-2017.

## Technical Specifications (continued)

### Installation

#### Remote Driver/Junction Box:

Die-formed metal driver / junction box with captive hinged junction box cover. Listed for maximum of (4) 12AWG through branch circuit conductor suitable for 90° C permitted in box. Easy to wire in 2in/2out (plus ground) applications. (4) conduit pry-outs. (3) quick snap-in connectors for quick and reliable line voltage connections. Integral mounting facilitates direct mounting to building structure or mounting frame.

#### Mounting:

Recessed, no housing required

### Construction

#### Size:

4"

#### Shape:

Round

#### Finish:

White

#### Enclosure Material:

Metal+plastic

#### Trim Style:

Smooth

#### Lens Finish:

Frosted

#### Lens:

Polycarbonate light diffuser distributes light evenly and smoothly for general lighting applications

### Compliance

#### Listings:

UL Listed

#### Environment:

Suitable for use indoors and outdoors in dry, damp, or wet environments.

#### IC Rated:

Suitable for direct contact with insulation. Type IC inherently protected, suitable for direct contact to air permeable insulation and cULus listed for damp locations. Not for use in direct contact with spray foam insulation, consult NEMA LSD57-2013.

#### Air Tight:

Housing certified Air Tight as per ASTM E283

#### Energy Star Approved:

This product is ENERGY STAR® Certified.

#### Energy Star ID:

3543885

#### DLC Listed:

No

#### Certification Model Number:

DLW0053(WFRL4R99FA120WS)

#### California Title 20 Compliant:

Can be used to conform with the requirements of California Title 20

#### California Title 24 JAB Compliant:

Can be used to conform with the requirements of California Title 24 Part 6

#### California Energy Commission (CEC) Status:

Lawful for Sales in California

#### NEC Compliant:

Suitable for use in closets. Compliant with NEC Sec. 410.16 (A)(1) and 410.16 (C3).

#### IESNA LM-79 & LM-80 Testing:

RAB LED luminaires and LED components have been tested by an independent laboratory in accordance with IESNA LM-79 and LM-80.

#### RoHS:

Mercury and UV free. RoHS-compliant components.

#### FCC:

Complies with Part 15 of the FCC Rules

#### Trade Agreements Act Compliant:

This product is a product of Cambodia and a "designated country" end product that complies with the Trade Agreements Act

### Other

#### Compatible Products:

WFRL-GOOF-4R-6R-W  
4"-6" Goof ring round white

WFRL-TRIM-4R-BS  
4" Color trim round smooth black

WFRL-TRIM-4R-BRS  
4" Color trim round smooth bronze

WFRL-TRIM-4R-BNS  
4" Color trim round smooth brushed nickel

DLPLATE/WFR3468/NB  
Mounting plate for 3", 4", 6", 8" with nailer bar

DLPLATE/WFR3456  
Mounting plate for 3", 4", 5", 6" with nailer bar

DLPLATE/WFR4/NB/CL  
Mounting plate for 4" with nailer bar and drywall collar

DLPLATE/WFR4  
Mounting plate for 4" wafer

EXTCBL-FA-6  
6' Extension cable

EXTCBL-FA-12  
12' Extension cable

EXTCBL-FA-20  
20' Extension cable

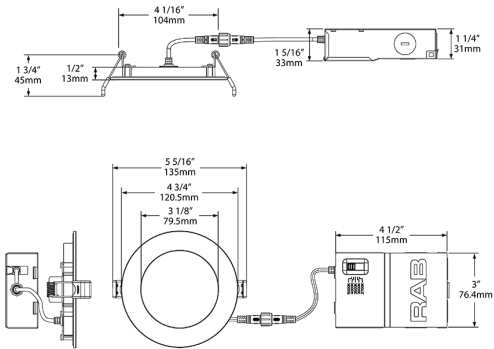
DRI-25-EMGR-DC  
Emergency driver 100-277V 25W

DRI-21-EMGR-DC-D10  
Emergency driver 100-277V 21W 0-10V T20

#### Warranty:

RAB warrants that our LED products will be free from defects in materials and workmanship for a period of five (5) years from the date of delivery to the end user, including coverage of light output, color stability, driver performance and fixture finish. RAB's warranty is subject to all terms and conditions found at [rablighting.com/warranty](http://rablighting.com/warranty).

## Dimensions



## Features

- 5 color temperatures in 1 SKU (2700K, 3000K, 3500K, 4000K, 5000K)
- Super slim edge-lit fixture for thin fixture depth
- No recessed housing or J-box required
- New construction or retrofit applications
- UL wet location rated
- Smooth diffused uniform light distribution
- Dimmable down to 10% on compatible dimmers
- Spring loaded retention clips
- Robust, die cast aluminum construction
- IC and airtight rated
- 5-Year, No-Compromise Warranty

## Ordering Matrix

Family	Size	Shape	Wattage	CRI/Color Temp	Driver	Finish	Trim	Depth
WFRL	4	R	9	9FA	120	W	S	
	4 = 4"	R = Round	14 = 14W	9FA = 90 CRI, 2700/3000/3500/4000/5000K CCT	120 = 120V	W = White	B = Baffle	Blank = Standard
	5 = 5"	S = Square	23 = 23W	Adjustable	D = 120V/277V	B = Black	S = Smooth	S = Shallow
	6 = 6"		13 = 13W	9CCT = 90 CRI, 2700/3000/3500/4000/5000K CCT				
	8 = 8"		12 = 12W	Adjustable				
	3 = 3"		10.5 = 10.5W					
			9 = 9W					
			6 = 6W					

3" only available in round, 120V, and 6W  
 4" models only available with 120V. 120-277V driver sold separately. Available wattages are 9W & 10.5W.  
 4" shallow wafer only available with baffle trim and 9W  
 5" models only available in round, 120V, and 12W  
 6" standard 120V only available in 13W and 14W  
 6" standard 120-277V only available in 13W  
 6" shallow wafer only available with baffle trim and 13W  
 8" wafer only available in 23W