



Project:	Type:
Prepared By:	Date:

Driver Info		LED Info	
Type	Constant Current	Watts	12/10/08W
120V	0.11A	Color Temp	2700/3000/3500/4000/5000K
208V	0.06A	Color Accuracy	90 CRI
240V	0.06A	L70 Lifespan	50,000 Hours
277V	0.05A	Lumens	1100/825/675 lm
Input Watts	12/10/08W	Efficacy	92/83/84 lm/W

Technical Specifications

Performance

Product Type:

High-output Edge-lit Wafer

Description:

4" and 6" wafers with selectable wattage and CCT that boast 90 CRI. Designed for 120-277V use and TRIAC/ELV dimming. Available with smooth or baffle trim.

Wattage Equivalency:

60W Incandescent

Input Wattage:

12/10/8W

Nominal Lumens:

1100/825/675lm

Measured Lumens:

8W
704 lm @ 2700K; 711 lm @ 3000K; 723 lm @ 3500K;
729 lm @ 4000K; 729 lm @ 5000K

10W

875 lm @ 2700K; 886 lm @ 3000K; 904 lm @ 3500K;
910 lm @ 4000K; 906 lm @ 5000K

12W

1065 lm @ 2700K; 1080 lm @ 3000K; 1104 lm @ 3500K;
1112 lm @ 4000K; 1105 lm @ 5000K

Efficacy:

92/83/84lm/W

L70 Lifespan:

50,000-Hour LED lifespan based on IES LM-70 results

Electrical

Driver:

Constant Current, Class 2; 120-277V; 60 Hz; 120V: 110mA, 208V: 60mA, 240V, 55mA, 277V: 46mA

THD:

≤20%

Power Factor:

≥0.9

Dimmable:

Yes, dimmable down to 10% on compatible 120V TRIAC/ELV dimming systems. See Dimmer Compatibility List.

Input Voltage:

120-277V

Operating Frequency:

50/60Hz

Operating Temperature:

-4°F to 104°F (-20°C to 40°C)

Flicker:

≤30%

LED Characteristics

Beam Angle:

110°±10°

Color Temperature:

Field adjustable via dip switch
2700/3000/3500/4000/5000K

Color Accuracy (CRI):

90 CRI

R9 Value:

High color performance with R9 greater than 50

Color Consistency:

<4-step (2700K & 5000K) MacAdam Ellipse binning to achieve consistent fixture-to-fixture color

Color Stability:

LED color temperature is warranted to shift no more than 200K in color temperature over a 5-year period

Color Uniformity:

RAB's range of Correlated Color Temperature follows the guidelines of the American National Standard for Specifications for the Chromaticity of Solid State Lighting (SSL) Products, ANSI C78.377-2017.

Technical Specifications (continued)

Installation

Remote Driver/Junction Box:

Die formed metal driver / junction box with captive hinged junction box cover. Listed for Maximum of (4) 12AWG through branch circuit conductor suitable for 90°C permitted in box. Easy to wire in 2in/2out (plus ground) applications. (4) conduit pry-outs. (3) quick snap-in connectors for quick and reliable line voltage connections. Integral mounting facilitates direct mounting to building structure or mounting frame.

Mounting:

Recessed, no housing required

Construction

Size:

4"

Shape:

Round

Finish:

White

Endcap Material:

Plastic

Enclosure Material:

Metal+plastic

Trim Style:

Smooth

Lens:

Polycarbonate light diffuser distributes light evenly and smoothly for general lighting applications

Air Tight:

Housing certified Air Tight as per ASTM E283

Compliance

Listings:

UL Listed

Environment:

Suitable for use indoors and outdoors in dry, damp, or wet environments.

IC Rated:

Suitable for direct contact with insulation.

Type IC inherently protected, suitable for direct contact to air permeable insulation and cULus listed for damp locations. Not for use in direct contact with spray foam insulation, consult NEMA LSD57-2013.

Energy Star Approved:

This product is ENERGY STAR® Certified.

Energy Star ID:

3942796

DLC Listed:

No

Certification Model Number:

DLW0132(WFRX-4D)

California Title 20 Compliant:

No

California Title 24 JAB Compliant:

Can be used to conform with the requirements of California Title 24 Part 6

California Energy Commission (CEC) Status:

Lawful for Sales in California

NEC Compliant:

Suitable for use in closets. Compliant with NEC Sec. 410.16 (A)(1) and 410.16 (C3).

IESNA LM-79 & LM-80 Testing:

RAB LED luminaires and LED components have been tested by an independent laboratory in accordance with IESNA LM-79 and LM-80.

RoHS:

Mercury and UV free. RoHS-compliant components.

FCC:

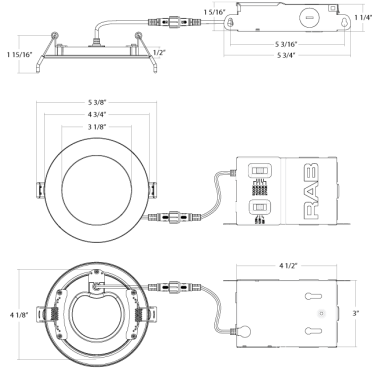
Complies with Part 15 of the FCC Rules

Other

Warranty:

RAB warrants that our LED products will be free from defects in materials and workmanship for a period of five (5) years from the date of delivery to the end user, including coverage of light output, color stability, driver performance and fixture finish. RAB's warranty is subject to all terms and conditions found at rablighting.com/warranty.

Dimensions



Features

- Field-adjustable power and color temperature
- Ideal for residential and commercial applications using 120-277V
- Dimmable at 120V using TRIAC/ELV, see dimmer compatibility list
- No recessed housing or j-box required
- 50,000 hrs, 5-yr no-compromise warranty, Title 24 Compliant

Ordering Matrix

Family	Size/Wattage	Shape	CRI/Color Temp	Finish	Trim	Driver
WFRX	4					D
	4 = 4", 12/10/8W 6 = 6", 15/13/11W	Blank = Round	Blank = 90 CRI, 2700/3000/3500/4000/5000K	Blank = White	Blank = Smooth B = Baffle	D = 120-277V