

PROJECT NAME: \_\_\_\_\_ CAT. #: \_\_\_\_\_  
 NOTES: \_\_\_\_\_ FIXTURE SCHEDULE: \_\_\_\_\_

## 1-BUTTON BLUETOOTH MESH PIR WALL DIMMER CONTROLLER - SILVAIR

### Overview:

c-Max Network Partners features additional networked lighting controls proposition that seamlessly combines MaxLite's broad c-Max controls ready luminaires with other technology partners control systems. This new wireless offering extends MaxLite's c-Max Lighting controls solutions to now include Silvaair's Bluetooth NLC and DLC 5.0 qualified system featuring a globally interoperable lighting controls ecosystem. Multiple offering using the patented c-Max USB-C ports presents customers with controls agnostic technology choices to fit their controls and IoT needs. Built on the value proposition of c-Max controls architecture, it now brings scalable lightingcontrols in an affordable manner.



WNS1PU-W-SL

### Applications:

- Offices
- Hospitals
- Schools
- Warehouses
- Industrial
- Retail

### Features:

- Wirelessly communicates with other Bluetooth mesh network devices to provide light level control in the space. It can be installed in a standard 1-gang wall box.
- The unit also functions as a dimmer to override the pre-configured occupancy sensor settings
- Easy Commissioning with Silvaair App (Available in iOS and Android)
- Local Bluetooth Network with no gateway needed
- Standard decora style opening allow for easy multi-gang installations
- The single-button unit provides ON/Raise and OFF/Lower for one zone of lighting
- PIR detection is best suited for areas with clear line of sight
- LED status indicator light
- 5 Year Warranty

### Specifications

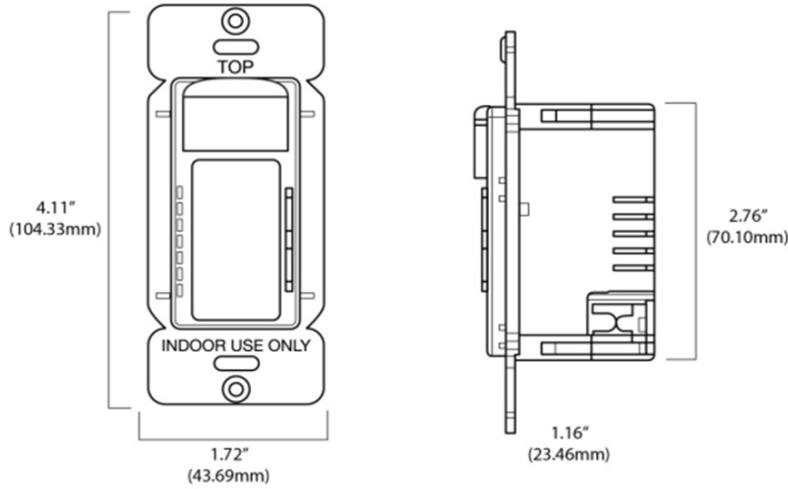
	WNS1PU-W-SL
PRODUCT TYPE	PIR Occ/Vac Dimmer Wall Controller
INPUT VOLTAGE	120-277VAC 50/60Hz
POWER CONSUMPTION	Max. 1.5W
NEUTRAL REQUIRED	Yes
MOUNTING	Standard wall box
MAX DETECTION RANGE	40 ft @ 4ft mounting height
MAX BLUETOOTH RANGE	30ft (9.14m)
OPERATING TEMPERATURE	32°F to 130°F / 0°C to 55°C
RELATIVE HUMIDITY	90-95% non-condensing at 30°C
CERTIFICATION	UL Listed
CYBERSECURITY	ioXt Certified
ENVIRONMENT	Indoor Use Only
COLOR	White

### Ordering Information

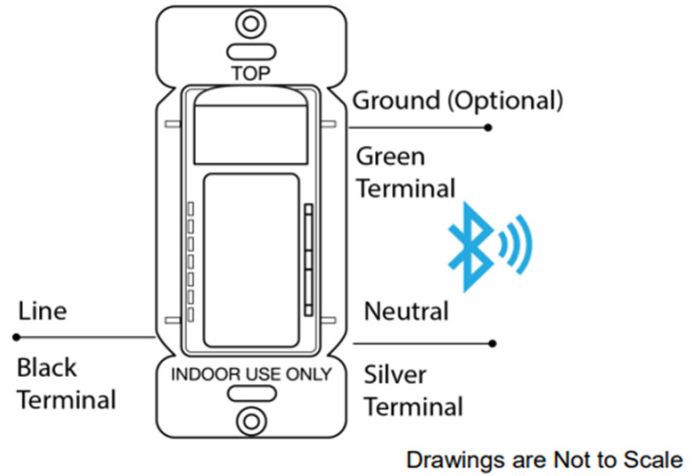
MODEL NUMBER	DESCRIPTION	UPC	ORDER CODE
WNS1PU-W-SL	NETWORK SILVAIR DIMMER 120-277V OCCUPANCY WALL SWITCH WHITE	767627058448	111139

# 1-BUTTON BLUETOOTH MESH PIR WALL DIMMER CONTROLLER - SILVAIR

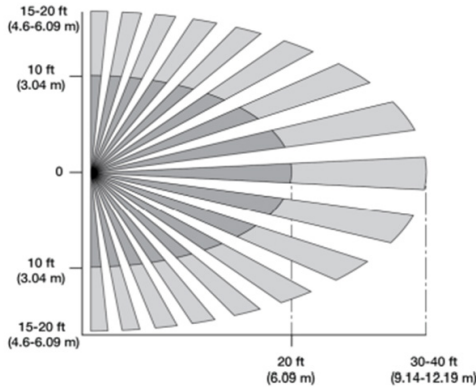
## Product Dimensions



## Wiring Diagram

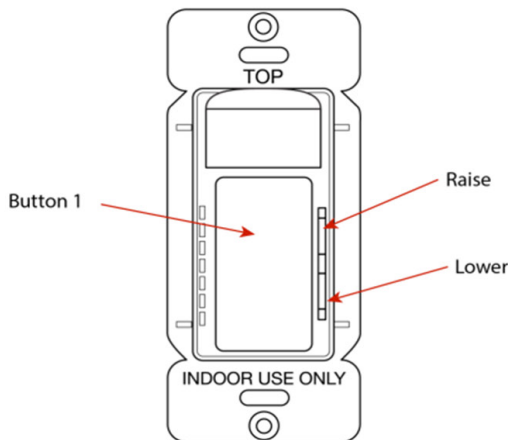


## Detection Coverage



Drawings are not to scale

## Wall Configuration



### Button 1 for On/Off:

Short press - AUTO/ON

Second short press - OFF

Auto = Resume automatic control; turns on the automatic settings for luminaires (defined by the settings profile).

### For dimming:

Raise Rocker

Lower Rocker

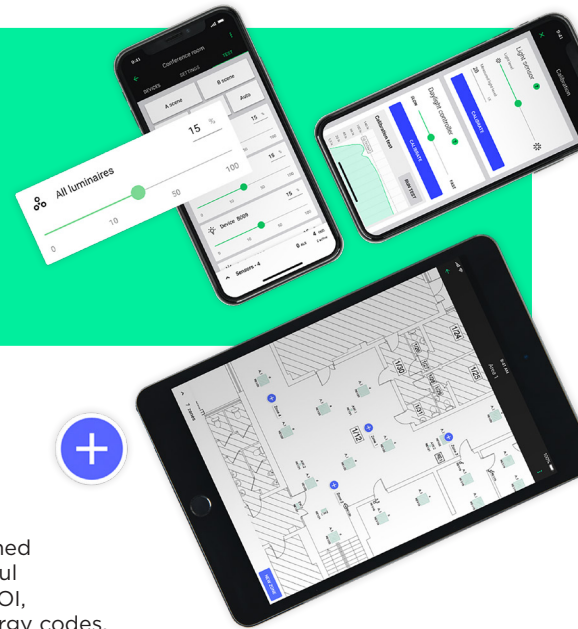
### Factory reset:

Hold both Button 1 and Lower Toggle for 10 sec. The device returns to an un-provisioned state.

## 1-BUTTON BLUETOOTH MESH PIR WALL DIMMER CONTROLLER - SILVAIR

### Technology Partner **SILVAIR**

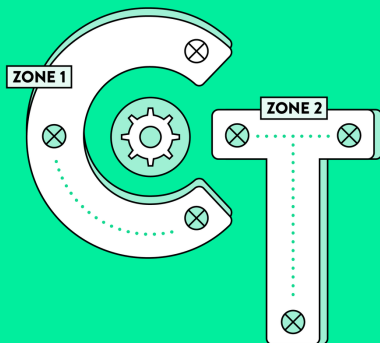
Silvair provides a reliable lighting control technology based on the globally interoperable Bluetooth mesh standard. Whether you are a component manufacturer, a facility manager, or an energy service company, you can easily deploy our solutions to strengthen your competitive advantage and create new revenue streams.



### Commissioning tools for installers

Advanced strategies have never been easier

We provide intuitive apps for standard-compliant Bluetooth mesh lighting networks. Designed to support large-scale installations deployed in commercial environments, they offer powerful commissioning, fine-tuning, and everyday management features. The bottom line is faster ROI, shortened path to advanced control strategies, and facilitated compliance with building energy codes.



### Plan every detail from the comfort of your desk

### Silvair Applications

[Web App](#)

[iOS App](#)

[Android App](#)