



Project:	Type:
Prepared By:	Date:

Driver Info		LED Info	
Type	Constant	Watts	113/85/58W
120V	0.96A/0.70A/0.48A	Color Temp	3000/4000/5000K
208V	0.55A/0.41A/0.28A	Color Accuracy	83-85 CRI
240V	0.47A/0.36A/0.26A	L70 Lifespan	100,000 Hours
277V	0.44A/0.34A/0.25A	Lumens	7,533-14,968 lm
Input Watts	55.5-114.6W	Efficacy	119.3-143.7 lm/W

Technical Specifications

Field Adjustability

Field Adjustable:

Field Adjustable Light Output:
113W/85W/58W (factory default: 85W)
Color temperature selectable by 3000K, 4000K and 5000K (factory default: 4000K)

Compliance

UL Listed:

Suitable for wet locations

Trade Agreements Act Compliant:

This product is a product of Cambodia and a "designated country" end product that complies with the Trade Agreements Act

DLC Listed:

This product is listed by Design Lights Consortium (DLC) as an ultra-efficient premium product that qualifies for the highest tier of rebates from DLC Member Utilities. Designed to meet DLC 5.1 requirements.
DLC Product Code: S-75SG86

Electrical

Driver:

113W: Constant Current, Class 2, 120-277V, 50/60 Hz, 120V: 0.96A, 208V: 0.55A, 240V: 0.47A, 277V: 0.44A
85W: Constant Current, Class 2, 120-277V, 50/60 Hz, 120V: 0.70A, 208V: 0.41A, 240V: 0.36A, 277V: 0.34A
58W: Constant Current, Class 2, 120-277V, 50/60 Hz, 120V: 0.48A, 208V: 0.28A, 240V: 0.26A, 277V: 0.25A

Dimming Driver:

Driver includes dimming control wiring for 0-10V dimming systems. Requires separate 0-10V DC dimming circuit. Dims down to 10%.

THD:

8.22% at 120V, 10.32% at 277V

Power Factor:

99.2% at 120V, 88.6% at 277V

Photocell:

Integrated photocell included with on/off switch

Surge Protection:

4kV

Flicker:

<30%

Performance

Lifespan:

100,000-Hour LED lifespan based on IES LM-80 results and TM-21 calculations

Wattage Equivalency:

113W: Replaces up to 750W Metal Halide (MH) or 400W High Pressure Sodium (HPS)
85W: Replaces up to 400W Metal Halide (MH) or 310W High Pressure Sodium (HPS)
58W: Replaces up to 350W Metal Halide (MH) or 250W High Pressure Sodium (HPS)

LED Characteristics

LEDs:

Long-life, high-efficacy, surface-mount LEDs

Color Consistency:

7-step MacAdam Ellipse binning to achieve consistent fixture-to-fixture color

Color Uniformity:

RAB's range of Correlated Color Temperature follows the guidelines of the American National Standard for Specifications for the Chromaticity of Solid State Lighting (SSL) Products, ANSI C78.377-2017.

Construction

Full Cutoff:

Allows for conformance to the IDA's fully shielding requirement, emitting no light above 90 degrees.

Technical Specifications (continued)

Housing:

Die-cast aluminum

Lens:

Acrylic lens

Reflector:

Alanod

Cold Weather Starting:

The minimum starting temperature is -40°C (-40°F)

Maximum Ambient Temperature:

Suitable for use in up to 40°C (104°F)

Green Technology:

Mercury and UV free. RoHS-compliant components.

Finish:

Formulated for high durability and long-lasting color

Installation

Mounting:

Integrated junction box for wall mounting.

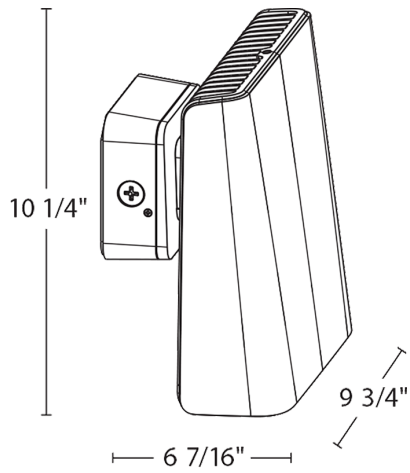
\

Other

Warranty:

RAB warrants that our LED products will be free from defects in materials and workmanship for a period of five (5) years from the date of delivery to the end user, including coverage of light output, color stability, driver performance and fixture finish. RAB's warranty is subject to all terms and conditions found at rablighting.com/warranty.

Dimensions



Features

- 100,000-Hour LED lifespan
- 0-10V dimming standard
- 5-Year, no-compromise warranty

Ordering Matrix

Family	Size/Wattage	Mounting	Color Temp	Finish	Driver	Options
WPLED	L					
	L = Large 113/85/58W	Blank = Integrated Junction Box	Blank = 3000/4000/5000K CCT Adjustable	Blank = Bronze W = White	Blank = 120-277V, 0-10V Dimming	Blank = Integrated Photocell /LCBS/MVS = Lightcloud Blue w/MVS Sensor