

<b>Project:</b>	<b>Type:</b>
<b>Prepared By:</b>	<b>Date:</b>

Driver Info		LED Info	
Type	Constant	Watts	13/10/6W
120V	0.10A/0.07A/0.05A	Color Temp	3000/4000/5000K
208V	0.07A/0.05A/0.03A	Color Accuracy	83-84 CRI
240V	0.06A/0.04A/0.03A	L70 Lifespan	100,000 Hours
277V	0.05A/0.04A/0.03A	Lumens	833-1,720 lm
Input Watts	5.98-12.06W	Efficacy	135.5-148.3 lm/W

**Technical Specifications**

**Field Adjustability**

**Field Adjustable:**

Field Adjustable Light Output:  
13W/10W/6W (factory default: 10W)  
Color temperature selectable by 3000K, 4000K and 5000K (factory default: 4000K)

**Compliance**

**UL Listed:**

Suitable for wet locations

**Trade Agreements Act Compliant:**

This product is a product of Cambodia and a "designated country" end product that complies with the Trade Agreements Act

**DLC Listed:**

This product is listed by Design Lights Consortium (DLC) as an ultra-efficient premium product that qualifies for the highest tier of rebates from DLC Member Utilities. Designed to meet DLC 5.1 requirements.  
DLC Product Code: S-SL134D

**Electrical**

**Driver:**

13W: Constant Current, Class 2, 120-277V, 50/60 Hz, 120V: 0.10A, 208V: 0.07A, 240V: 0.06A, 277V: 0.05A

10W: Constant Current, Class 2, 120-277V, 50/60 Hz, 120V: 0.070A, 208V: 0.05A, 240V: 0.04A, 277V: 0.04A

6W: Constant Current, Class 2, 120-277V, 50/60 Hz, 120V: 0.05A, 208V: 0.03A, 240V: 0.03A, 277V: 0.03A

**Dimming Driver:**

Driver includes dimming control wiring for 0-10V dimming systems. Requires separate 0-10V DC dimming circuit. Dims down to 10%.

**THD:**

4.02% at 120V, 14.83% at 277V

**Power Factor:**

99.5% at 120V, 92.1% at 277V

**Photocell:**

Integrated photocell included with on/off switch

**Surge Protection:**

L-L 2kV; L-G 4kV

**Battery Backup:**

Cold battery backup will operate the fixture for 90 minutes if power fails. Wired for 120-277V.

**Battery Backup Light Loss Factor:**

0.314

**Aux Power Supply:**

No

**Dim to Off:**

Yes

**Performance**

**Lifespan:**

100,000-Hour LED lifespan based on IES LM-80 results and TM-21 calculations

**Optical**

**BUG Rating:**

13W: B1 U0 G1  
10W: B0 U0 G1  
6W: B0 U0 G1

**LED Characteristics**

**LEDs:**

Long-life, high-efficacy, surface-mount LEDs

**Color Consistency:**

7-step MacAdam Ellipse binning to achieve consistent fixture-to-fixture color

## Technical Specifications (continued)

### Color Uniformity:

RAB's range of Correlated Color Temperature follows the guidelines of the American National Standard for Specifications for the Chromaticity of Solid State Lighting (SSL) Products, ANSI C78.377-2017.

---

### Construction

#### Full Cutoff:

Allows for conformance to the IDA's fully shielding requirement, emitting no light above 90 degrees.

#### Housing:

Die-cast aluminum

#### Lens:

Acrylic lens

#### Reflector:

High reflection polycarbonate

#### Cold Weather Starting:

The minimum starting temperature is -20°C (-4°F)

#### Maximum Ambient Temperature:

Suitable for use in up to 40°C (104°F)

#### Green Technology:

Mercury and UV free. RoHS-compliant components.

#### Finish:

Formulated for high durability and long-lasting color

---

### Installation

#### Mounting:

Integrated j-box and an optional wall plate included.

\

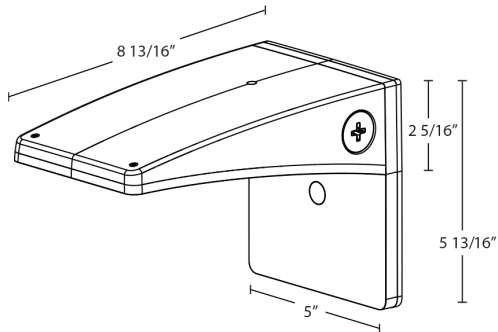
---

### Other

#### Warranty:

RAB warrants that our LED products will be free from defects in materials and workmanship for a period of five (5) years from the date of delivery to the end user, including coverage of light output, color stability, driver performance and fixture finish. RAB's warranty is subject to all terms and conditions found at [rablighting.com/warranty](http://rablighting.com/warranty).

**Dimensions**



**Features**

- 100,000-Hour LED lifespan
- 0-10V dimming standard
- 5-Year, no-compromise warranty

**Ordering Matrix**

Family	Size/Wattage	Mounting	Color Temp	Finish	Driver	Options
WPLED	S			W		/EC
	S = Small 13/10/6W M = Medium 32/24/16W	Blank = Integrated J-Box w/Optional Wall Plate Included	Blank = 3000/4000/5000K CCT Adjustable	Blank = Bronze W = White	Blank = 120-277V, 0-10V Dimming	Blank = Integrated Photocell /E = Battery Backup /EC = Cold Battery /LCBS/MVS = Lightcloud Blue w/MVS Sensor <sup>1</sup> /LCBS/MVS/E = Lightcloud Blue w/MVS Sensor & Battery Backup <sup>1</sup> /LCBS/MVS/EC = Lightcloud Blue w/MVS Sensor & Cold Battery <sup>1</sup>

<sup>1</sup> Available on medium fixture only