

PROJECT NAME: \_\_\_\_\_  
 NOTES: \_\_\_\_\_

CAT. #: \_\_\_\_\_  
 FIXTURE SCHEDULE: \_\_\_\_\_

# WallMax Open Face Wall Packs WPOP Series



Fixture with Wire Guard



Fixture with Visor



Fixture with Wire Guard & Visor



Sensor Window



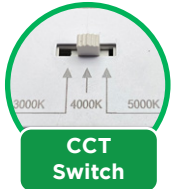
Cover included

### Features:

- CCT selectable between 3000K, 4000K or 5000K
- Integrated networked lighting control, c-Max Bluetooth Lighting Control (with factory install options)
  - Integral sensor receptacle
  - Occupancy sensor
  - High-end trim
  - Energy monitoring
- Sealed housing - control nodes are mounted internally without impacting the fixture sealing or aesthetics
- High Voltage Option: 277-480V (Contact Maxlite for details)
- Battery Backup Options - 0°C and -20°C (Contact Maxlite for details)
- 0-10V dimming driver
- Integral photocell with on/off switch option
- CRI: ≥80

### Construction:

- Rugged die cast housing with corrosion resistant polyester powder paint finish
- Impact resistant borosilicate glass
- Covers old HID footprints (14" and 18")
- 4 x 1/2" conduit holes, one on each side for surface conduit applications



CCT Switch



Wattage Switch



Photocell

MaxLite Makes It!

Don't see what you need? Additional wattages and specifications available upon request - contact your MaxLite rep!

## Ordering Structure

FAMILY	WATTAGE (NOMINAL)*	VOLTAGE	-	CCT	COLOR	PHOTOCELL	OPTIONS
WPOP= WallMax Open Face	15= 15W (40W)	<b>U=</b> 120-277V  <b>H=</b> 277-480V  * Contact Maxlite for details	-	<b>CS*=</b> 3/4/5K <b>WCS=</b> 3/4/5K, Wattage Selectable  * 28W, 33W, 70W and 100W available	<b>B=</b> Dark Bronze  Contact MaxLite for additional finishes	<b>PC=</b> Photocell (Integral with on/off switch)	<b>CR=</b> Controls Ready Port for cMax (Standard) <b>E0=</b> Battery Backup -0°C <b>E2=</b> Battery Backup -20°C <b>S=</b> 20kA Surge Protector
	28= 28W (55W)						
	30= 30W (55W)						
	33= 33W (40W)						
	40= 40W						
	45= 45W (55W)						
	55= 55W						
	59= 59W (80W)						
	70= 70W (80W)						
	80= 80W						
	90= 90W (120W)						
	100= 100W (120W)						
	120= 120W						
*Number in parenthesis is highest setting (default) for wattage selectable versions.							



# WallMax Open Face Wall Packs WPOP Series

## Specifications

Specifications	WPOP33	WPOP40	WPOP55		WPOP80	WPOP120	
Nominal Wattage (W)*	<b>33W</b>	15/33/ <b>40W</b>	28/40/ <b>55W</b>	30/45/ <b>55W</b>	59/70/ <b>80W</b>	80/100/ <b>120W</b>	90/100/ <b>120W</b>
Output (lm)	5,050-5,300	2,160-5,860	3,730-8,190	3,730-8,190	8,130-11,570	10,920-17,200	10,920-17,201
Efficacy (lm/W)	144-150	139-147	140-149	140-149	137-145	138-143	138-144
CCT	Selectable between 3000K, 4000K or 5000K						
CRI	>80						
Dimming	0-10V and High-end trim						
Power Factor	>0.90						
Input Voltage	120-277V, 277-480V option (Contact Maxlite for details)						
Lumen Maintenance (L70) hours	>100,000						
Battery Backup	120V or 277V only, 800-900 lumens, 1 fc minimum in 10' x 10' grid at 10-11' mounting height, 0°C 16W, -20°C 14W						
Surge Protection	6kV integral to the driver, 20kA available as an option						
Housing	Die Cast Aluminum with polyester powder coat paint finish						
Lens	Impact Resistant Borosilicate Glass						
Listings	DLC Premium, cULus, FCC, TAA Available (contact Maxlite)						
Environment	Wet locations and IP65						
Warranty	10 Year warranty. Check <a href="http://maxlite.com/warranties">maxlite.com/warranties</a> for details						

\*Wattage Selectable versions, bold indicates default setting. See Lumen Chart below for lumens at each setting.

\*\*See page 1 for Warranty Limitations.

## WallMax Open Face Lumen chart

WATTAGE*	3000K	4000K/5000K
15W (40W)	2,160	2,340
28W (55W)	3,730	4,010
30W (55W)	4,260	4,620
33W (40W)	5,060	5,310
40W	5,550	5,860
45W (55W)	6,070	6,700
55W	7,710	8,190
59W (80W)	8,130	8,900
70W (80W)	9,920	10,480
80W	10,920	11,570
90W (120W)	12,450	13,170
100W (120W)	14,200	14,990
120W	16,590	17,200

\*Number in parenthesis is highest (default) setting for wattage selectable versions.

## DLC Listings

MODEL NUMBER	ORDER CODE	DLC ID #
WPOP28U-CSBCR	104898	PLBJPNHX
WPOP33U-CSBPCCR	112928	S-H04W8R
WPOP40U-WCSBPCCR	112414	S-N0XH3B
WPOP40U-CSBCR	104899	PET2F3DX
WPOP55U-CSBCR	104900	P4LZGCHW
WPOP55U-WCSBCR	105518	PRFGPVAN
WPOP55U-WCSBPCCR	112415	S-TKRD0W
WPOP80U-CSBCR	104901	PGJ4N743
WPOP80U-WCSBPCCR	112416	S-L2C2Z3
WPOP120U-CSBCR	104902	PO7X4VS2
WPOP120U-WCSBCR	105519	PH19YKZV
WPOP120U-WCSBPCCR	112417	S-QSJWSK

# WallMax Open Face Wall Packs

WPOP Series

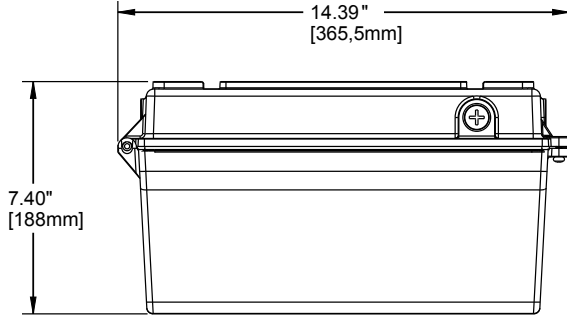
## Accessories (Sold Separately)

MODEL #	ORDER CODE	DESCRIPTION	IMAGE
WPOP-SVISOR-B	106160	VISOR SMALL HOUSING (28-55W), BRONZE	
WPOP-LVISOR-B	106161	VISOR LARGE HOUSING (80-120W), BRONZE	
WPOP-SWG	106162	WIRE GUARD SMALL HOUSING 28-55W	
WPOP-LWG	106163	WIRE GUARD LARGE HOUSING 80-120W	
CEA-RDB	107785	C-MAX EXTERNAL ADAPTER ROUND BRONZE	
CEA-RDW	106903	C-MAX EXTERNAL ADAPTER ROUND WHITE	
EM2-REMOTE-MT	111294	FIELD INSTALLABLE REMOTE MOUNT - 20°C BATTERY BACKUP (FOR UNIVERSAL (120-277V) PRODUCTS ONLY)	
<b>c-Max Basic</b>			
CN-RTPCT	105568	C-MAX PHOTOCELL NODE RECTANGULAR	
CN-RTMST	105564	C-MAX RECTANGULAR MOTION SENSOR/PC, REQUIRES REMOTE CONTROL TO PROGRAM	
CN-REMOTE	105567	C-MAX REMOTE CONTROL, AT LEAST ONE REQUIRED PER PROJECT TO PROGRAM MOTION SENSOR	
<b>c-Max Network</b>			
NN-RTW	105892	NETWORK NODE RECTANGULAR, WHITE REQUIRES APP TO PROGRAM	
NN-RDMPBXR	111459	NETWORK NODE ROUND, PIR MOTION SENSOR, PHOTOCELL, BLACK, EXTENDED (XR) RANGE	
NN-RDMPW	109924	NETWORK NODE ROUND, PIR MOTION SENSOR, PHOTOCELL, WHITE	

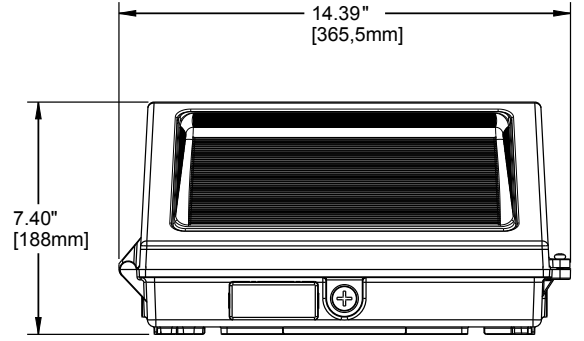
## WallMax Open Face Wall Packs WPOP Series

### Dimensions

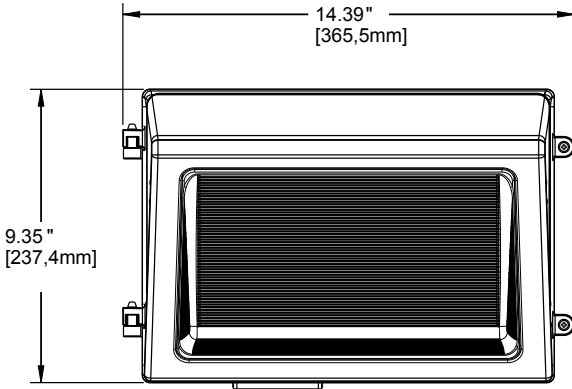
28-55W



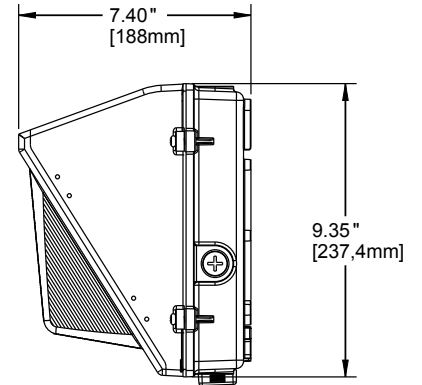
Top View



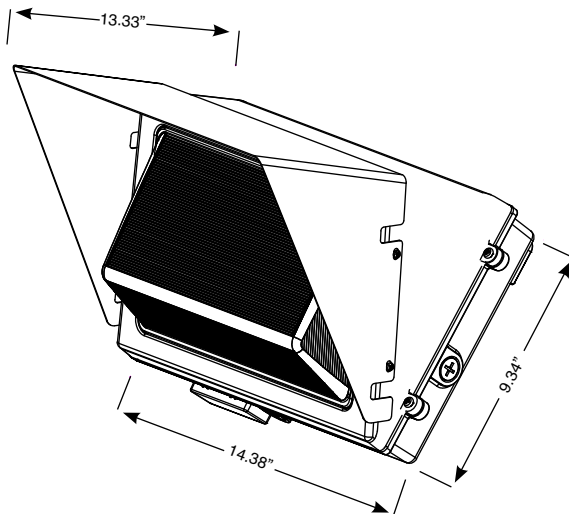
Bottom View



Front View



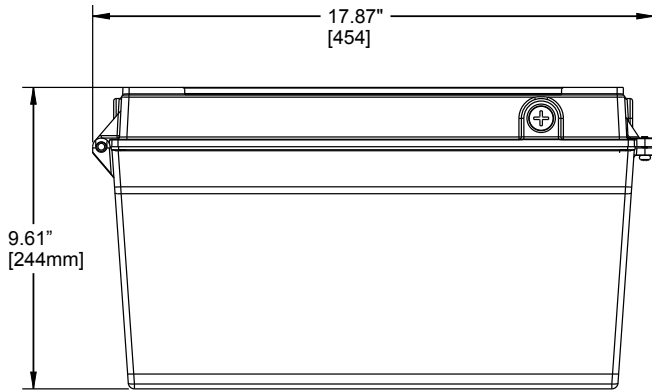
Side View



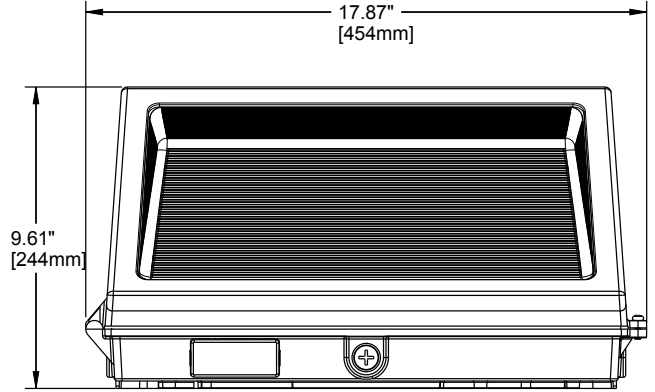
Visor

## WallMax Open Face Wall Packs WPOP Series

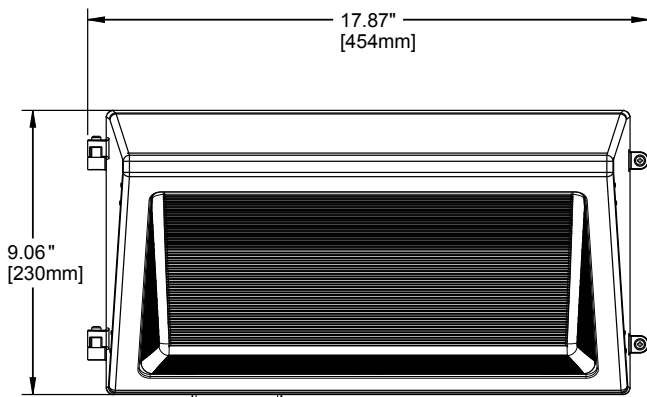
### Dimensions 80-120W



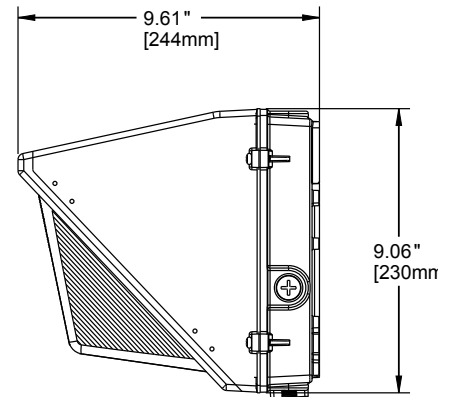
Top View



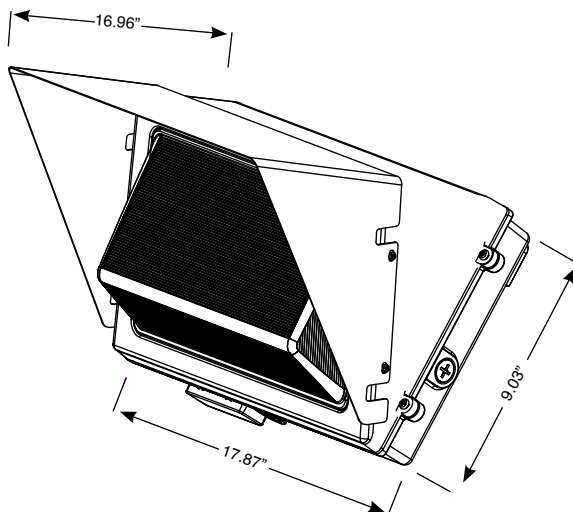
Bottom View



Front View



Side View



Visor

# WallMax Open Face Wall Packs WPOP Series

### ISOFOOTCANDLE:

Each gridline represents one mounting height.  
 For mounting heights other than noted multiply FC by the below factor.

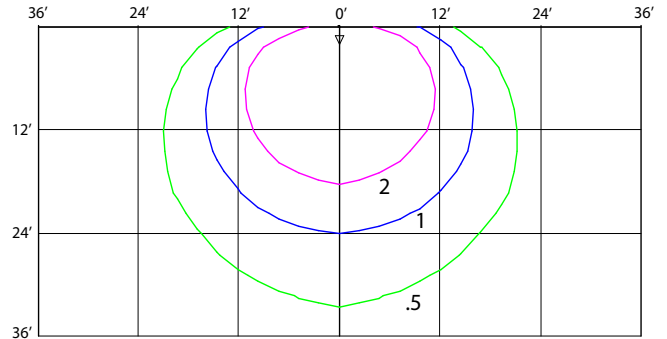
$$\text{Factor} = \frac{(\text{Chart's Mtg Height})^2}{(\text{Actual Mtg Height})^2}$$

### LEGEND

- 0.5 fc
- 1 fc
- 2 fc

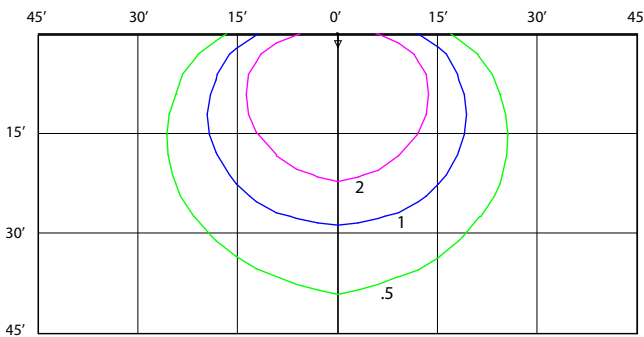
Layouts based on 3000K. Results are 3-5% more for 4000/5000K. Consult IES file for more precise calculations.

### WPOP28



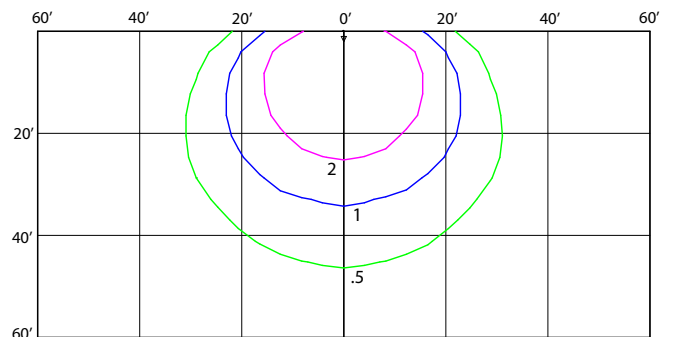
28W  
12' MOUNTING HEIGHT

### WPOP40



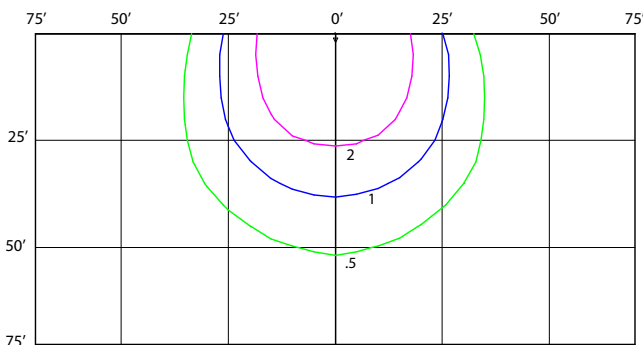
40W  
15' MOUNTING HEIGHT

### WPOP55



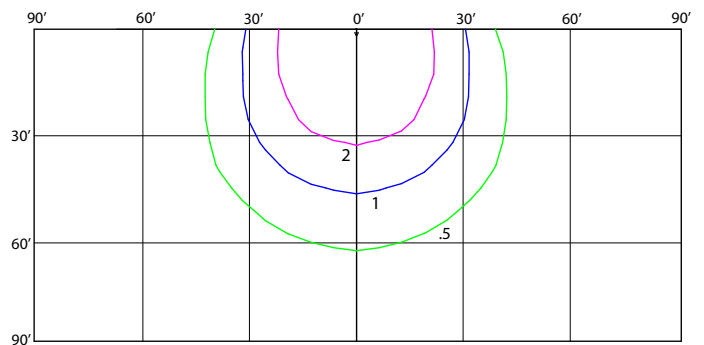
55W  
20' MOUNTING HEIGHT

### WPOP80



80W  
25' MOUNTING HEIGHT

### WPOP120



120W  
30' MOUNTING HEIGHT