



Color: Bronze

Weight: 6.2 lbs

<b>Project:</b>	<b>Type:</b>
<b>Prepared By:</b>	<b>Date:</b>

Driver Info		LED Info	
Type	Constant	Watts	30/20/15W
120V	0.28A/0.22A/0.14A	Color Temp	3000/4000/5000K
208V	0.14A/0.10A/0.07A	Color Accuracy	82-84 CRI
240V	0.13A/0.08A/0.06A	L70 Lifespan	100,000 Hours
277V	0.12A/0.07A/0.05A	Lumens	2,497-4,739 lm
Input Watts	17.7-33.3W	Efficacy	134.6-146.8 lm/W

**Technical Specifications**

**Field Adjustability**

**Field Adjustable:**

Field Adjustable Light Output:  
30W/20W/15W (factory default 30W)  
Color temperature selectable 3000K, 4000K and 5000K (factory default 4000K)

**Compliance**

**UL Listed:**

Suitable for wet locations

**IP Rating:**

Ingress protection rating of IP65 for dust and water

**Trade Agreements Act Compliant:**

This product is a product of Cambodia and a "designated country" end product that complies with the Trade Agreements Act

**DLC Listed:**

This product is listed by Design Lights Consortium (DLC) as an ultra-efficient premium product that qualifies for the highest tier of rebates from DLC Member Utilities. Designed to meet DLC 5.1 requirements.  
DLC Product Code: S-MW1VZF

**Electrical**

**Driver:**

Constant Current, Class 2, 120-277V, 50/60 Hz  
30W: 120V: 0.28A 208V: 0.14A, 240V: 0.13A, 277V: 0.12A  
20W: 120V: 0.22A 208V: 0.10A, 240V: 0.08A, 277V: 0.07A  
15W: 120V: 0.14A 208V: 0.07A, 240V: 0.06A, 277V: 0.06A

**Dimming Driver:**

Driver includes dimming control wiring for 0-10V dimming systems. Requires separate 0-10V DC dimming circuit. Dims down to 10%.

**THD:**

30W: 2.82% at 120V, 9.29% at 277V  
20W: 3.16% at 120V, 11.85% at 277V  
15W: 5.05% at 120V, 20.56% at 277V

**Power Factor:**

30W: 99.7% at 120V, 93.5% at 277V  
20W: 99.6% at 120V, 90.2% at 277V  
15W: 98.9% at 120V, 81.6% at 277V

**Photocell:**

Integrated photocell included with on/off switch

**Surge Protection:**

4kV

**Performance**

**Lifespan:**

100,000-Hour LED lifespan based on IES LM-80 results and TM-21 calculations

**Wattage Equivalency:**

30W: Replaces up to 125W Metal Halide (MH) or 100W High Pressure Sodium (HPS)  
20W: Replaces up to 100W Metal Halide (MH) or 100W High Pressure Sodium (HPS)  
15W: Replaces up to 70W Metal Halide (MH) or 70W High Pressure Sodium (HPS)

**LED Characteristics**

**LEDs:**

Long-life, high-efficacy, surface-mount LEDs

**Color Uniformity:**

RAB's range of Correlated Color Temperature follows the guidelines of the American National Standard for Specifications for the Chromaticity of Solid State Lighting (SSL) Products, ANSI C78.377-2017.

**Construction**

**Housing:**

Aluminum alloy

**Lens:**

Prismatic, heat-resistant borosilicate glass

**Technical Specifications (continued)**

**Reflector:**

Aluminum

**Gaskets:**

High-temperature silicone

**Cold Weather Starting:**

The minimum starting temperature is -40°C (-40°F)

**Maximum Ambient Temperature:**

Suitable for use in up to 40°C (104°F)

**Green Technology:**

Mercury and UV free. RoHS-compliant components.

**Finish:**

Formulated for high durability and long-lasting color

**Installation**

**Mounting:**

Hinged wiring access and conduit entries on the back sides, top and bottom make installation a snap

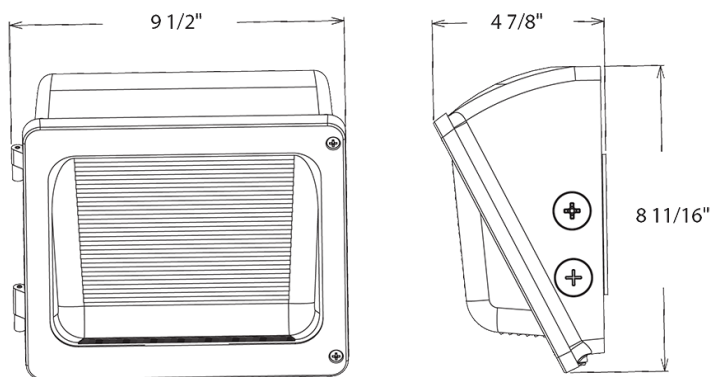
\

**Other**

**Warranty:**

RAB warrants that our LED products will be free from defects in materials and workmanship for a period of ten (10) years from the date of delivery to the end user, including coverage of light output, color stability, driver performance and fixture finish. RAB's warranty is subject to all terms and conditions found at [rablighting.com/warranty](http://rablighting.com/warranty).

**Dimensions**



**Features**

- 100,000-Hour LED lifespan
- 0-10V dimming standard
- 10-Year, no-compromise warranty

## Ordering Matrix

Family	Wattage	Color Temp	Finish	Driver	Options
WPX	1 1 = 30/20/15W 2 = 80/60/40W 3 = 130/100/65W	Blank = 3000/4000/5000K Adjustable	Blank = Bronze W = White	Blank = 120-277V, 0-10V Dimming /480 = 480V, 0-10V Dimming	Blank = Selectable On/Off Photocell /MVS = Microwave Motion Sensor /LC = Lightcloud /LCB = Lightcloud Blue /LCBS/MVS = Lightcloud Blue w/MVS Sensor /E = Battery Backup <sup>2</sup> /MVS/E = Microwave Motion Sensor w/Battery Backup <sup>2</sup> /LC/E = Lightcloud w/Battery Backup <sup>2</sup>

<sup>1</sup> 480V available only in WPX2 and WPX3 models

<sup>2</sup> Battery backup available only for WPX2 and WPX3 in 120-277V models