



| | |
|---------------------|--------------|
| Project: | Type: |
| Prepared By: | Date: |

| Driver Info | | LED Info | |
|-------------|-------------------|----------------|------------------|
| Type | Constant | Watts | 80/60/40W |
| 120V | 0.66A/0.48A/0.34A | Color Temp | 3000/4000/5000K |
| 208V | 0.39A/0.29A/0.19A | Color Accuracy | 82-84 CRI |
| 240V | 0.33A/0.25A/0.17A | L70 Lifespan | 100,000 Hours |
| 277V | 0.30A/0.23A/0.16A | Lumens | 5,789-11,353 lm |
| Input Watts | 39.3-79.3W | Efficacy | 134.1-152.6 lm/W |

Technical Specifications

Field Adjustability

Field Adjustable:

Field Adjustable Light Output:
80W/60W/40W (factory default 80W)
Color temperature selectable 3000K, 4000K and 5000K (factory default 4000K)

Compliance

UL Listed:

Suitable for wet locations

IP Rating:

Ingress protection rating of IP65 for dust and water

DLC Listed:

This product is listed by Design Lights Consortium (DLC) as an ultra-efficient premium product that qualifies for the highest tier of rebates from DLC Member Utilities. Designed to meet DLC 5.1 requirements.
DLC Product Code: S-QGK4HV

Electrical

Driver:

Constant Current, Class 2, 120-277V, 50/60 Hz
80W: 120V: 0.66A 208V: 0.39A, 240V: 0.33A, 277V: 0.30A
60W: 120V: 0.48A 208V: 0.29A, 240V: 0.25A, 277V: 0.23A
40W: 120V: 0.34A 208V: 0.19A, 240V: 0.17A, 277V: 0.16A

Dimming Driver:

Driver includes dimming control wiring for 0-10V dimming systems. Requires separate 0-10V DC dimming circuit. Dims down to 10%.

THD:

80W: 2.48% at 120V, 3.66% at 277V
60W: 2.03% at 120V, 12.03% at 277V
40W: 1.97% at 120V, 2.96% at 277V

Power Factor:

80W: 99.7% at 120V, 95% at 277V
60W: 99.6% at 120V, 91% at 277V
40W: 99.2% at 120V, 84.8% at 277V

Photocell:

Integrated photocell included with on/off switch

Surge Protection:

4kV

Battery Backup:

Battery backup will operate the fixture for 90 minutes if power fails. Wired for 120-277V.

Battery Backup Light Loss Factor:

0.08

Performance

Lifespan:

100,000-Hour LED lifespan based on IES LM-80 results and TM-21 calculations

Wattage Equivalency:

80W: Replaces up to 350W Metal Halide (MH) or 250W High Pressure Sodium (HPS)
60W: Replaces up to 250W Metal Halide (MH) or 200W High Pressure Sodium (HPS)
40W: Replaces up to 175W Metal Halide (MH) or 150W High Pressure Sodium (HPS)

LED Characteristics

LEDs:

Long-life, high-efficacy, surface-mount LEDs

Color Uniformity:

RAB's range of Correlated Color Temperature follows the guidelines of the American National Standard for Specifications for the Chromaticity of Solid State Lighting (SSL) Products, ANSI C78.377-2017.

Construction

Housing:

Aluminum alloy

Lens:

Prismatic, heat-resistant borosilicate glass

Reflector:

Aluminum

Gaskets:

High-temperature silicone

Technical Specifications (continued)

Cold Weather Starting:

The minimum starting temperature is 1°C (33.8°F)

Maximum Ambient Temperature:

Suitable for use in up to 60°C (140°F)

Green Technology:

Mercury and UV free. RoHS-compliant components.

Finish:

Formulated for high durability and long-lasting color

Installation

Mounting:

Hinged wiring access and conduit entries on the back sides, top and bottom make installation a snap

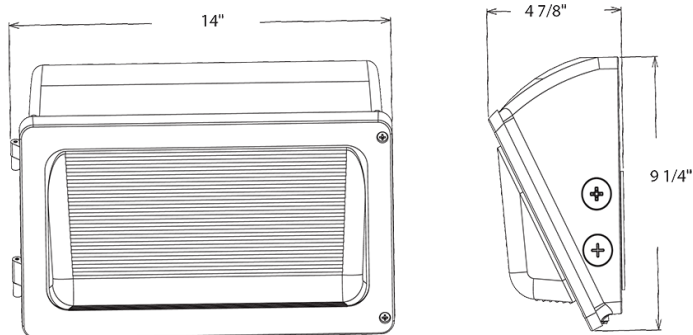
\

Other

Warranty:

RAB warrants that our LED products will be free from defects in materials and workmanship for a period of ten (10) years from the date of delivery to the end user, including coverage of light output, color stability, driver performance and fixture finish. RAB's warranty is subject to all terms and conditions found at rablighting.com/warranty.

Dimensions



Features

- 100,000-Hour LED lifespan
- 0-10V dimming standard
- 10-Year, no-compromise warranty

Ordering Matrix

| Family | Wattage | Color Temp | Finish | Driver | Options |
|--------|---|------------------------------------|-----------------------------|---|---|
| WPX | 2 | | W | | /E |
| | 1 = 30/20/15W 2 = 80/60/40W 3 = 130/100/65W | Blank = 3000/4000/5000K Adjustable | Blank = Bronze W = White | Blank = 120-277V, 0-10V Dimming /480 = 480V, 0-10V Dimming | Blank = Selectable On/Off Photocell /MVS = Microwave Motion Sensor /LC = Lightcloud /LCB = Lightcloud Blue /LCBS/MVS = Lightcloud Blue w/MVS Sensor /E = Battery Backup ² /MVS/E = Microwave Motion Sensor w/Battery Backup ² /LC/E = Lightcloud w/Battery Backup ² |

¹ 480V available only in WPX2 and WPX3 models
² Battery backup available only for WPX2 and WPX3 in 120-277V models