



Ultra-economy field adjustable X17 is available in three sizes and a total of 6 lumen packages, all with a wide 7H x 7V NEMA distribution that makes them the optimal floodlight for a large variety of general-purpose applications. 0-10V dimming is standard on all models.

Color: White

Weight: 10.0 lbs

<b>Project:</b>	<b>Type:</b>
<b>Prepared By:</b>	<b>Date:</b>

Driver Info		LED Info	
Type	Constant Current	Watts	140W
120V	1.13A	Color Temp	3000/4000/5000K
208V	0.65A	Color Accuracy	82/82/83 CRI
240V	0.57A	L70 Lifespan	100,000 Hours
277V	0.49A	Lumens	20,155/21,118/20,892 lm
Input Watts	141.07/136.19/141.98W	Efficacy	142.9/155.1/147.2 lm/W

## Technical Specifications

### Field Adjustability

#### Field Adjustable:

Color temperature selectable by 3000K, 4000K and 5000K

### Compliance

#### UL Listed:

Suitable for wet locations

#### IESNA LM-79 & LM-80 Testing:

RAB LED luminaires and LED components have been tested by an independent laboratory in accordance with IESNA LM-79 and LM-80.

#### IP Rating:

Ingress protection rating of IP65 for dust and water

### Electrical

#### Driver:

Constant Current, Class 1, 120-277V, 50/60Hz, 120V: 1.13A, 208V: 0.65A, 240V: 0.57A, 277V: 0.49A

#### Dimming Driver:

Driver includes wiring for 0-10V dimming systems. Dim as low as 10%.

#### THD:

9.36% at 120V, 10.36% at 277V

#### Power Factor:

99.8% at 120V, 94% at 277V

#### Photocell:

120-277V selectable photocell that can be turned on and off.

#### Surge Protection:

CM: 6kV  
DM: 4kV

### LED Characteristics

#### LEDs:

Long-life, high-efficacy, surface-mount LEDs

#### Color Uniformity:

RAB's range of Correlated Color Temperature follows the guidelines of the American National Standard for Specifications for the Chromaticity of Solid State Lighting (SSL) Products, ANSI C78.377-2017.

### Construction

#### Cold Weather Starting:

The minimum starting temperature is -40°C (-40°F)

#### Maximum Ambient Temperature:

Suitable for use in up to 40°C (104°F)

#### Housing:

Precision die-cast aluminum

#### Tilt Increment:

Rotates in 30 degree increments

#### Effective Projected Area:

EPA = 1.05

#### Lens:

Tempered glass

#### Reflector:

Polycarbonate

#### Finish:

Formulated for high durability and long-lasting color

#### Green Technology:

Mercury and UV free. RoHS-compliant components.

### Installation

#### Mounting:

Heavy-duty Trunnion mount with stainless steel hardware

### Optical

#### NEMA Type:

NEMA Beam Spread 7H x 7V

## Technical Specifications (continued)

### Other

#### 5 Yr Limited Warranty:

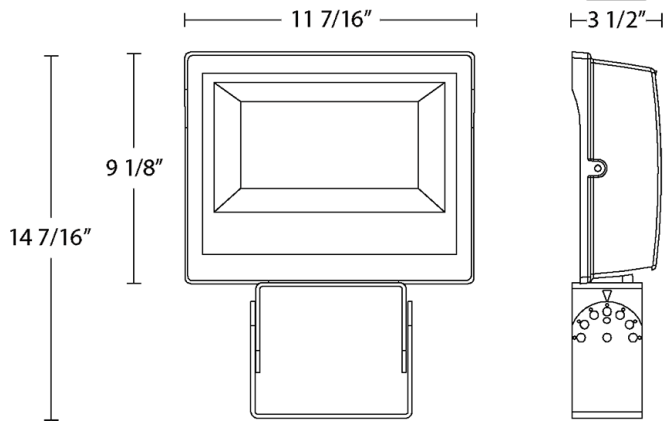
The RAB 5-year, limited warranty covers light output, driver performance and paint finish. RAB's warranty is subject to all terms and conditions found at [rablighting.com/warranty](http://rablighting.com/warranty).

### Performance

#### Wattage Equivalency:

Equivalent to 750W Metal Halide

## Dimensions



## Features

- DLC Premium listed
- IP65 Rated
- 100,000-Hour LED lifespan
- 5-Year, limited warranty

## Ordering Matrix

Family	Wattage	Field Adjustability	Mounting	Finish	Color Temp	Driver	Options
X17	FA	140		T	W		
	35 = 35W 60 = 60W 80 = 80W 105 = 105W 140 = 140W 15 = 15W 15 = 15W 140 = 140W 105 = 105W 80 = 80W 60 = 60W 35 = 35W	FA = 2-Way Field Adjustable	T = Trunnion SF = Slipfitter Blank = Knuckle	W = White Blank = Bronze	Blank = 3000/4000/5000K Adjustable	/480 = 480V Blank = 120-277V	Blank = Selectable photocell