



Ultra-economy field adjustable X17 is available in three sizes and a total of 6 lumen packages, all with a wide 7H x 7V NEMA distribution that makes them the optimal floodlight for a large variety of general-purpose applications. 0-10V dimming is standard on all models.

Color: White

Weight: 2.7 lbs

| | |
|---------------------|--------------|
| Project: | Type: |
| Prepared By: | Date: |

| Driver Info | | LED Info | |
|-------------|--------------------|----------------|------------------------|
| Type | Constant Current | Watts | 35W |
| 120V | 0.28A | Color Temp | 3000/4000/5000K |
| 208V | 0.16A | Color Accuracy | 82/83/81 CRI |
| 240V | 0.14A | L70 Lifespan | 100,000 Hours |
| 277V | 0.12A | Lumens | 4,846/5,031/4,966 lm |
| Input Watts | 35.15/33.97/35.18W | Efficacy | 137.9/148.1/141.2 lm/W |

Technical Specifications

Field Adjustability

Field Adjustable:

Color temperature selectable by 3000K, 4000K and 5000K

Compliance

UL Listed:

Suitable for wet locations

IESNA LM-79 & LM-80 Testing:

RAB LED luminaires and LED components have been tested by an independent laboratory in accordance with IESNA LM-79 and LM-80.

IP Rating:

Ingress protection rating of IP65 for dust and water

Electrical

Driver:

Constant Current, Class 1, 120-277V, 50/60Hz, 120V: 0.28A, 208V: 0.16A, 240V: 0.14A, 277V: 0.12A

Dimming Driver:

Driver includes wiring for 0-10V dimming systems. Dim as low as 10%.

THD:

10.33% at 120V, 10.63% at 277V

Power Factor:

99.7% at 120V, 93% at 277V

Photocell:

120-277V selectable photocell that can be turned on and off.

Surge Protection:

6kV

LED Characteristics

LEDs:

Long-life, high-efficacy, surface-mount LEDs

Color Uniformity:

RAB's range of Correlated Color Temperature follows the guidelines of the American National Standard for Specifications for the Chromaticity of Solid State Lighting (SSL) Products, ANSI C78.377-2017.

Construction

Cold Weather Starting:

The minimum starting temperature is -40°C (-40°F)

Maximum Ambient Temperature:

Suitable for use in up to 40°C (104°F)

Housing:

Precision die-cast aluminum

Lens:

Tempered glass

Reflector:

Polycarbonate

Finish:

Formulated for high durability and long-lasting color

Green Technology:

Mercury and UV free. RoHS-compliant components.

Installation

Mounting:

Robust knuckle mount with 180° adjustable swivel arm. Tilt angle in 10° increments.

Optical

NEMA Type:

NEMA Beam Spread 7H x 7V

Other

5 Yr Limited Warranty:

The RAB 5-year, limited warranty covers light output, driver performance and paint finish. RAB's warranty is subject to all terms and conditions found at rablighting.com/warranty.

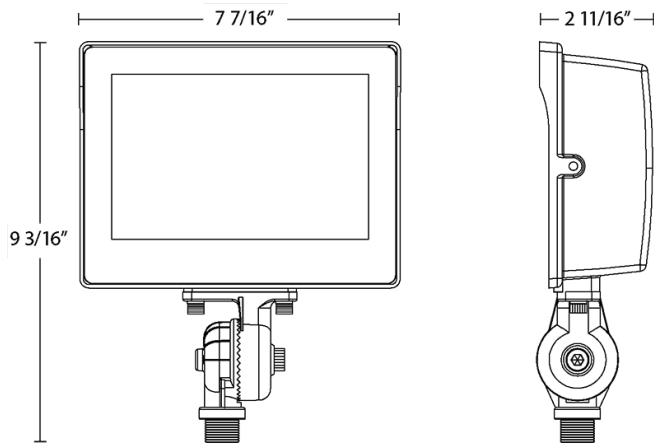
Technical Specifications (continued)

Performance

Wattage Equivalency:

Equivalent to 150W Metal Halide

Dimensions



Features

DLC Premium listed

IP65 Rated

100,000-Hour LED lifespan

5-Year, limited warranty

Ordering Matrix

| Family | Wattage | Field Adjustability | Mounting | Finish | Color Temp | Driver | Options |
|--------|--|-----------------------------|--|-----------------------------|---------------------------------------|---------------------------------|---------------------------------|
| X17 | FA | 35 | | | W | | |
| | 35 = 35W 60 = 60W 80 = 80W 105 = 105W 140 = 140W 15 = 15W 15 = 15W 140 = 140W 105 = 105W 80 = 80W 60 = 60W 35 = 35W | FA = 2-Way Field Adjustable | T = Trunnion SF = Slipfitter Blank = Knuckle | W = White Blank = Bronze | Blank = 3000/4000/5000K Adjustable | /480 = 480V Blank = 120-277V | Blank = Selectable photocell |