



Ultra-economy field adjustable X17 is available in three sizes and a total of 6 lumen packages, all with a wide 7H x 7V NEMA distribution that makes them the optimal floodlight for a large variety of general-purpose applications. 0-10V dimming is standard on all models.

Color: Bronze

Weight: 2.7 lbs

Project:

Type:

Prepared By:

Date:

### Driver Info

Type	Constant Current
120V	0.28A
208V	0.16A
240V	0.14A
277V	0.12A
Input Watts	35.15/33.97/35.18W

### LED Info

Watts	35W
Color Temp	3000/4000/5000K
Color Accuracy	82/83/81 CRI
L70 Lifespan	100,000 Hours
Lumens	4,846/5,031/4,966 lm
Efficacy	137.9/148.1/141.2 lm/W

## Technical Specifications

### Field Adjustability

#### Field Adjustable:

Color temperature selectable by 3000K, 4000K and 5000K

### Compliance

#### UL Listed:

Suitable for wet locations

### IESNA LM-79 & LM-80 Testing:

RAB LED luminaires and LED components have been tested by an independent laboratory in accordance with IESNA LM-79 and LM-80.

### IP Rating:

Ingress protection rating of IP65 for dust and water

### Electrical

#### Driver:

Constant Current, Class 1, 120-277V, 50/60Hz, 120V: 0.28A, 208V: 0.16A, 240V: 0.14A, 277V: 0.12A

#### Dimming Driver:

Driver includes wiring for 0-10V dimming systems. Dim as low as 10%.

#### THD:

10.33% at 120V, 10.63% at 277V

#### Power Factor:

99.7% at 120V, 93% at 277V

#### Photocell:

120-277V selectable photocell that can be turned on and off.

#### Surge Protection:

6kV

### LED Characteristics

#### LEDs:

Long-life, high-efficacy, surface-mount LEDs

#### Color Uniformity:

RAB's range of Correlated Color Temperature follows the guidelines of the American National Standard for Specifications for the Chromaticity of Solid State Lighting (SSL) Products, ANSI C78.377-2017.

### Construction

#### Cold Weather Starting:

The minimum starting temperature is -40°C (-40°F)

#### Maximum Ambient Temperature:

Suitable for use in up to 40°C (104°F)

#### Housing:

Precision die-cast aluminum

#### Lens:

Tempered glass

#### Reflector:

Polycarbonate

#### Finish:

Formulated for high durability and long-lasting color

#### Green Technology:

Mercury and UV free. RoHS-compliant components.

### Installation

#### Mounting:

Robust knuckle mount with 180° adjustable swivel arm. Tilt angle in 10° increments.

### Optical

#### NEMA Type:

NEMA Beam Spread 7H x 7V

### Other

#### 5 Yr Limited Warranty:

The RAB 5-year, limited warranty covers light output, driver performance and paint finish. RAB's warranty is subject to all terms and conditions found at [rablighting.com/warranty](http://rablighting.com/warranty).

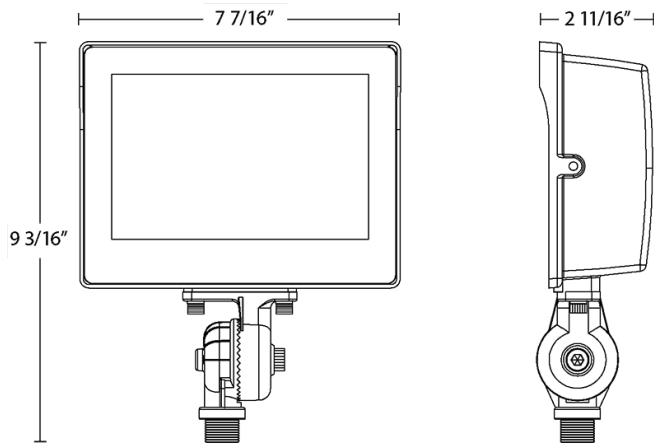
## Technical Specifications (continued)

### Performance

#### Wattage Equivalency:

Equivalent to 150W Metal Halide

### Dimensions



### Features

DLC Premium listed

IP65 Rated

100,000-Hour LED lifespan

5-Year, limited warranty

### Ordering Matrix

Family	Wattage	Field Adjustability	Mounting	Finish	Color Temp	Driver	Options
X17	FA	35					
	35 = 35W 60 = 60W 80 = 80W 105 = 105W 140 = 140W 15 = 15W 15 = 15W 140 = 140W 105 = 105W 80 = 80W 60 = 60W 35 = 35W	FA = 2-Way Field Adjustable	T = Trunnion SF = Slipfitter Blank = Knuckle	W = White Blank = Bronze	Blank = 3000/4000/5000K Adjustable	/480 = 480V Blank = 120-277V	Blank = Selectable photocell