



Ultra-economy field adjustable X17 is available in three sizes and a total of 6 lumen packages, all with a wide 7H x 7V NEMA distribution that makes them the optimal floodlight for a large variety of general-purpose applications. 0-10V dimming is standard on all models.

Color: Bronze

Weight: 4.8 lbs

Project:

Type:

Prepared By:

Date:

Driver Info

Type	Constant Current
120V	0.49A
208V	0.28A
240V	0.24A
277V	0.21A
Input Watts	61.78/58.72/61.97W

LED Info

Watts	60W
Color Temp	3000/4000/5000K
Color Accuracy	82/82/81 CRI
L70 Lifespan	100,000 Hours
Lumens	8,818/9,041/9,142 lm
Efficacy	142.7/154/147.5 lm/W

Technical Specifications

Field Adjustability

Field Adjustable:

Color temperature selectable by 3000K, 4000K and 5000K

Compliance

UL Listed:

Suitable for wet locations

IESNA LM-79 & LM-80 Testing:

RAB LED luminaires and LED components have been tested by an independent laboratory in accordance with IESNA LM-79 and LM-80.

IP Rating:

Ingress protection rating of IP65 for dust and water

Electrical

Driver:

Constant Current, Class 1, 120-277V, 50/60Hz, 120V: 0.49A, 208V: 0.28A, 240V: 0.24A, 277V: 0.21A

Dimming Driver:

Driver includes wiring for 0-10V dimming systems. Dim as low as 10%.

THD:

13.36% at 120V, 13.14% at 277V

Power Factor:

99.7% at 120V, 91.9% at 277V

Photocell:

120-277V selectable photocell that can be turned on and off.

Surge Protection:

6kV

LED Characteristics

LEDs:

Long-life, high-efficacy, surface-mount LEDs

Color Uniformity:

RAB's range of Correlated Color Temperature follows the guidelines of the American National Standard for Specifications for the Chromaticity of Solid State Lighting (SSL) Products, ANSI C78.377-2017.

Construction

Cold Weather Starting:

The minimum starting temperature is -40°C (-40°F)

Maximum Ambient Temperature:

Suitable for use in up to 40°C (104°F)

Housing:

Precision die-cast aluminum

Lens:

Tempered glass

Reflector:

Polycarbonate

Finish:

Formulated for high durability and long-lasting color

Green Technology:

Mercury and UV free. RoHS-compliant components.

Installation

Mounting:

Heavy-duty Trunnion mount with stainless steel hardware

Optical

NEMA Type:

NEMA Beam Spread 7H x 7V

Other

5 Yr Limited Warranty:

The RAB 5-year, limited warranty covers light output, driver performance and paint finish. RAB's warranty is subject to all terms and conditions found at rablighting.com/warranty.

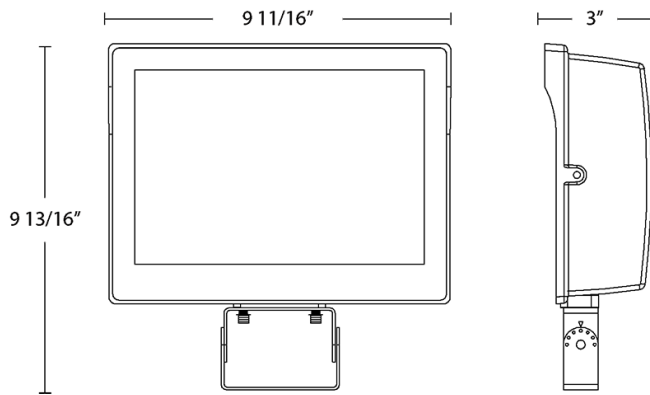
Technical Specifications (continued)

Performance

Wattage Equivalency:

Equivalent to 250W Metal Halide

Dimensions



Features

- DLC Premium listed
- IP65 Rated
- 100,000-Hour LED lifespan
- 5-Year, limited warranty

Ordering Matrix

Family	Wattage	Field Adjustability	Mounting	Finish	Color Temp	Driver	Options
X17	FA	60		T			
	35 = 35W 60 = 60W 80 = 80W 105 = 105W 140 = 140W 15 = 15W 15 = 15W 140 = 140W 105 = 105W 80 = 80W 60 = 60W 35 = 35W	FA = 2-Way Field Adjustable	T = Trunnion SF = Slipfitter Blank = Knuckle	W = White Blank = Bronze	Blank = 3000/4000/5000K Adjustable	/480 = 480V Blank = 120-277V	Blank = Selectable photocell