



Color: Bronze

Weight: 28.1 lbs

Project:	Type:
Prepared By:	Date:

Driver Info		LED Info	
Type	Constant Current	Watts	450W
120V	N/A	Color	4000K (Neutral)
208V	N/A	Temp	
240V	N/A	Color Accuracy	82/83/82 CRI
277V	N/A	L70	
Input Watts	445.75/351.69/253.69W	Lifespan	100,000 Hours
		Lumens	65,432/53,615/41,329 lm
		Efficacy	146.8/152.5/162.9 lm/W

Technical Specifications

Field Adjustability

Power Adjustable:

Field adjustable light output in 3 discrete steps: 450/350/250W (factory default 450W)

Compliance

UL Listed:

Suitable for wet locations

IESNA LM-79 & LM-80 Testing:

RAB LED luminaires and LED components have been tested by an independent laboratory in accordance with IESNA LM-79 and LM-80.

IP Rating:

Ingress protection rating of IP65 for dust and water

Electrical

Driver:

450W: Constant Current, Class 1, 120-277V, 50/60Hz, 120V: 3.79A, 208V: 2.19A, 240V: 1.90A, 277V: 1.64A
 350W: Constant Current, Class 1, 120-277V, 50/60Hz, 120V: 2.94A, 208V: 1.70A, 240V: 1.47A, 277V: 1.27A
 250W: Constant Current, Class 1, 120-277V, 50/60Hz, 120V: 2.12A, 208V: 1.22A, 240V: 1.06A, 277V: 0.92A

Dimming Driver:

Driver includes wiring for 0-10V dimming systems. Dim as low as 10%.

THD:

2.44% at 480V

Power Factor:

98.7% at 480V

Photocell:

480V Twistlock photocell included. Photocell is only compatible with 480V.

Surge Protection:

CM: 10kV
 DM: 6kV

Shorting Cap:

Shorting Cap included for Twistlock Receptacle

LED Characteristics

LEDs:

Long-life, high-efficacy, surface-mount LEDs

Color Uniformity:

RAB's range of Correlated Color Temperature follows the guidelines of the American National Standard for Specifications for the Chromaticity of Solid State Lighting (SSL) Products, ANSI C78.377-2017.

Construction

Cold Weather Starting:

The minimum starting temperature is -40°C (-40°F)

Maximum Ambient Temperature:

Suitable for use in up to 40°C (104°F)

Housing:

Precision die-cast aluminum

Lens:

Tempered glass

Reflector:

Polycarbonate

Tilt Increment:

Rotates in 6 degree increments

Effective Projected Area:

EPA = 2.4

Finish:

Formulated for high durability and long-lasting color

Green Technology:

Mercury and UV free. RoHS-compliant components.

Technical Specifications (continued)

Installation

Mounting:

Slipfitter with 180° pivot available for mounting on 2 3/8" tenon

Optical

NEMA Type:

NEMA Beam Spread 7H x 6V

Other

5 Yr Limited Warranty:

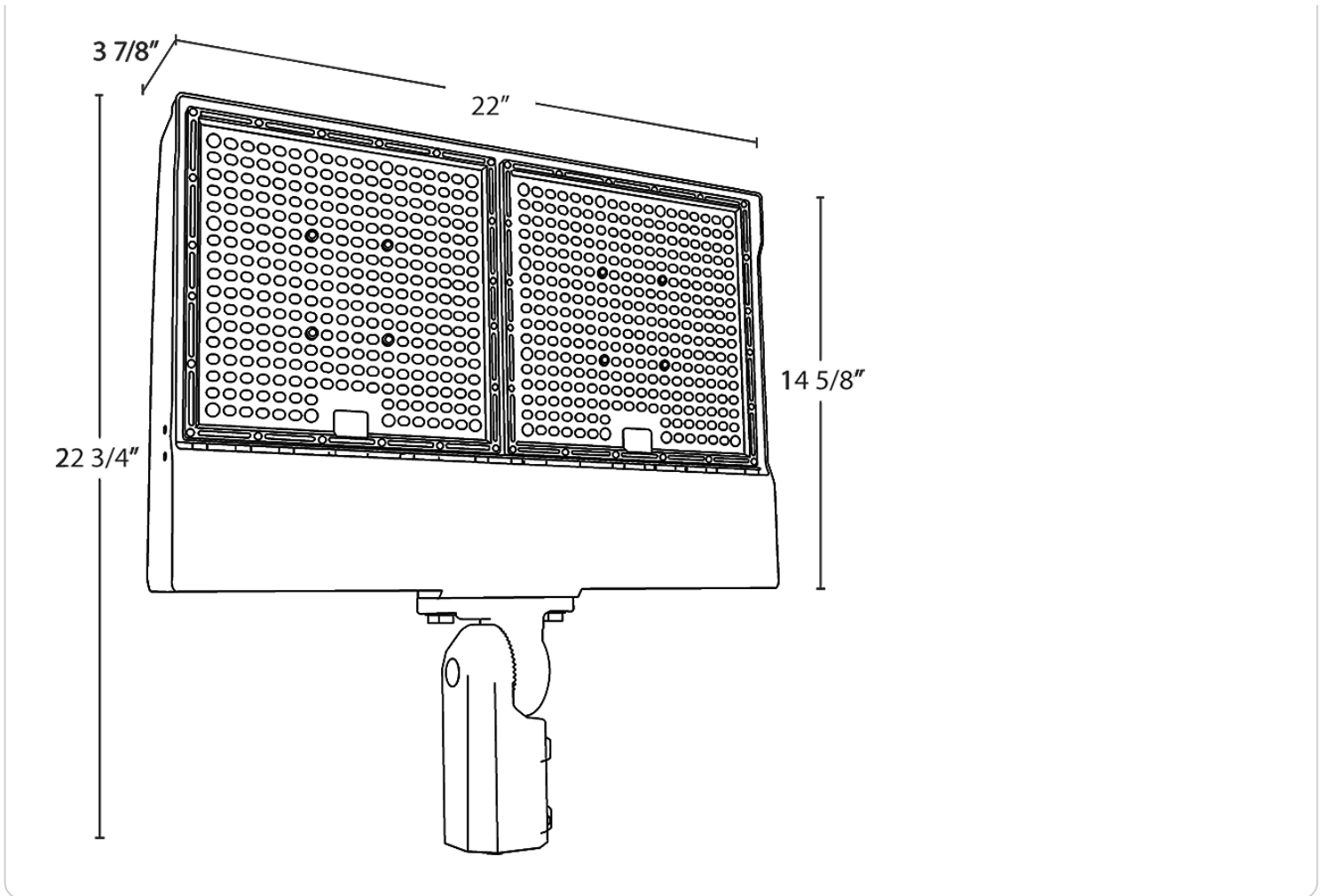
The RAB 5-year, limited warranty covers light output, driver performance and paint finish. RAB's warranty is subject to all terms and conditions found at rablighting.com/warranty.

Performance

Wattage Equivalency:

Equivalent to 1,500W Metal Halide

Dimensions



Ordering Matrix

Family	Field Adjustability	Wattage	Color Temp	Mounting	Finish	Driver	Options
X17	PA	450	N	SF		/480	/PCT
	PA = Power Field Adjustable, High Output	450 = 450/350/250W	= 5000K Cool N = 4000K Neutral	SF = Slipfitter T = Trunnion	Blank = Bronze	Blank = 120-277V /480 = 480V	/PCT = Twistlock photocell