



Color: Bronze

Weight: 18.9 lbs

Project:

Type:

Prepared By:

Date:

### Driver Info

Type	Constant Current
120V	1.66A/1.24A/0.83A
208V	0.96A/0.71A/0.48A
240V	0.83A/0.62A/0.42A
277V	0.72A/0.54A/0.36A
Input Watts	99.63-207.76W

### LED Info

Watts	205W
Color Temp	3000/4000/5000K
Color Accuracy	81-83 CRI
L70 Lifespan	100,000 Hours
Lumens	16,530-31,164 lm
Efficacy	138.8-175.3 lm/W

## Technical Specifications

### Field Adjustability

#### 3-Way Field Adjustable:

Field Adjustable Light Output:  
205/150/100W (factory default 205W)  
Color temperature (selectable by 3000K, 4000K and 5000K)

### Compliance

#### UL Listed:

Suitable for wet locations

#### IESNA LM-79 & LM-80 Testing:

RAB LED luminaires and LED components have been tested by an independent laboratory in accordance with IESNA LM-79 and LM-80.

#### IP Rating:

Ingress protection rating of IP65 for dust and water

### Electrical

#### Driver:

205W: Constant Current, Class 1, 120-277V, 50/60Hz,  
120V: 1.66A, 208V: 0.96A, 240V: 0.83A, 277V: 0.72A  
150W: Constant Current, Class 1, 120-277V, 50/60Hz,  
120V: 1.24A, 208V: 0.71A, 240V: 0.62A, 277V: 0.54A  
100W: Constant Current, Class 1, 120-277V, 50/60Hz,  
120V: 0.83A, 208V: 0.48A, 240V: 0.42A, 277V: 0.36A

#### Dimming Driver:

Driver includes wiring for 0-10V dimming systems.  
Dim as low as 10%.

#### THD:

2.66% at 120V, 10.21% at 277V

#### Power Factor:

99.8% at 120V, 95.6% at 277V

#### Photocell:

120-277V Twistlock photocell included. Photocell is compatible with 120-277V.

#### Surge Protection:

CM: 10kV  
DM: 6kV

#### Shorting Cap:

Shorting Cap included for Twistlock Receptacle

### LED Characteristics

#### LEDs:

Long-life, high-efficacy, surface-mount LEDs

#### Color Uniformity:

RAB's range of Correlated Color Temperature follows the guidelines of the American National Standard for Specifications for the Chromaticity of Solid State Lighting (SSL) Products, ANSI C78.377-2017.

### Construction

#### Cold Weather Starting:

The minimum starting temperature is -40°C (-40°F)

#### Ambient Temperature :

Max Power Temp Rating: 40°C (104°F)  
Middle Power Temp Rating: 52°C (125°F)  
Low Power Temp Rating: 59°C (138°F)

#### Housing:

Precision die-cast aluminum

#### Lens:

Tempered glass

#### Reflector:

Polycarbonate

#### Tilt Increment:

Rotates in 6 degree increments

#### Effective Projected Area:

EPA = 1.4

#### Finish:

Formulated for high durability and long-lasting color

#### Green Technology:

Mercury and UV free. RoHS-compliant components.

## Technical Specifications (continued)

### Installation

#### Mounting:

Slipfitter with 180° pivot available for mounting on 2 3/8" tenon

### Optical

#### NEMA Type:

NEMA Beam Spread 7H x 6V

### Other

#### 5 Yr Limited Warranty:

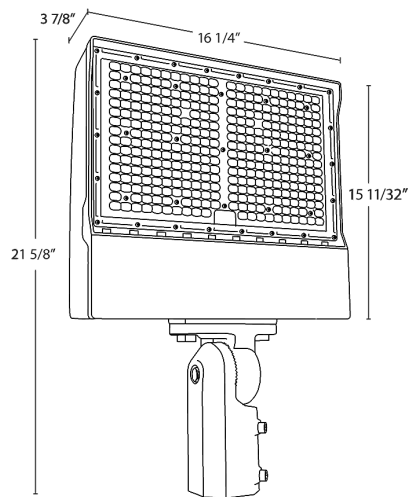
The RAB 5-year, limited warranty covers light output, driver performance and paint finish. RAB's warranty is subject to all terms and conditions found at [rablighting.com/warranty](http://rablighting.com/warranty).

### Performance

#### Wattage Equivalency:

Equivalent to 750W Metal Halide

## Dimensions



## Features

- 3-Way field adjustability
- 0-10V Dimming, standard
- 100,000-hour LED lifespan
- 5-Year, limited warranty

## Ordering Matrix

Family	Wattage	Field Adjustability	Color Temp	Mounting	Finish	Driver	Options
X17	XFU	205		SF			/PCT
	60 = 60/50/30W 80 = 80/60/40W 35 = 35/25/15W 330 = 330/250/170W 205 = 205/150/100W 140 = 140/100/70W 105 = 105/75/50W	XFU = 3-Way Field Adjustable	Blank = 3000/4000/5000K Adjustable	T = Trunnion SF = Slipfitter Blank = Knuckle	W = White Blank = Bronze	Blank = 120-277V /480 = 480V	Blank = Selectable photocell