

<b>Project:</b>	<b>Type:</b>
<b>Prepared By:</b>	<b>Date:</b>

Driver Info		LED Info	
Type	Constant Current	Watts	35W
120V	0.28A/0.20A/0.12A	Color Temp	3000/4000/5000K
208V	0.16A/0.12A/0.07A	Color Accuracy	81-83 CRI
240V	0.14A/0.10A/0.06A	L70 Lifespan	100,000 Hours
277V	0.12A/0.09A/0.05A	Lumens	2,305-5,031 lm
Input Watts	14.78-35.18W	Efficacy	137.9-163.7 lm/W

## Technical Specifications

### Field Adjustability

#### 3-Way Field Adjustable:

Field Adjustable Light Output:

15W/25W/35W (factory default 35W)

Color temperature (selectable by 3000K, 4000K and 5000K)

### Compliance

#### UL Listed:

Suitable for wet locations

#### IESNA LM-79 & LM-80 Testing:

RAB LED luminaires and LED components have been tested by an independent laboratory in accordance with IESNA LM-79 and LM-80.

#### IP Rating:

Ingress protection rating of IP65 for dust and water

### Electrical

#### Driver:

35W: Constant Current, Class 1, 120-277V, 50/60Hz,

120V: 0.28A, 208V: 0.16A, 240V: 0.14A, 277V: 0.12A

25W: Constant Current, Class 1, 120-277V, 50/60Hz,

120V: 0.20A, 208V: 0.12A, 240V: 0.10A, 277V: 0.09A

15W: Constant Current, Class 1, 120-277V, 50/60Hz,

120V: 0.12A, 208V: 0.07A, 240V: 0.06A, 277V: 0.05A

#### Dimming Driver:

Driver includes wiring for 0-10V dimming systems.

Dim as low as 10%.

#### THD:

10.33% at 120V, 10.63% at 277V

#### Power Factor:

99.7% at 120V, 93% at 277V

#### Photocell:

120-277V selectable photocell that can be turned on and off.

#### Surge Protection:

2.5kV

#### Shorting Cap:

Shorting Cap included for Twistlock Receptacle

### LED Characteristics

#### LEDs:

Long-life, high-efficacy, surface-mount LEDs

#### Color Uniformity:

RAB's range of Correlated Color Temperature follows the guidelines of the American National Standard for Specifications for the Chromaticity of Solid State Lighting (SSL) Products, ANSI C78.377-2017.

### Construction

#### Cold Weather Starting:

The minimum starting temperature is -40°C (-40°F)

#### Ambient Temperature :

Max Power Temp Rating: 40°C (104°F)

Middle Power Temp Rating: 48°C (119°F)

Low Power Temp Rating: 56°C (133°F)

#### Housing:

Precision die-cast aluminum

#### Lens:

Tempered glass

#### Reflector:

Polycarbonate

#### Finish:

Formulated for high durability and long-lasting color

#### Green Technology:

Mercury and UV free. RoHS-compliant components.

### Installation

#### Mounting:

Robust knuckle mount with 180° adjustable swivel arm. Tilt angle in 10° increments.

## Technical Specifications (continued)

### Optical

#### NEMA Type:

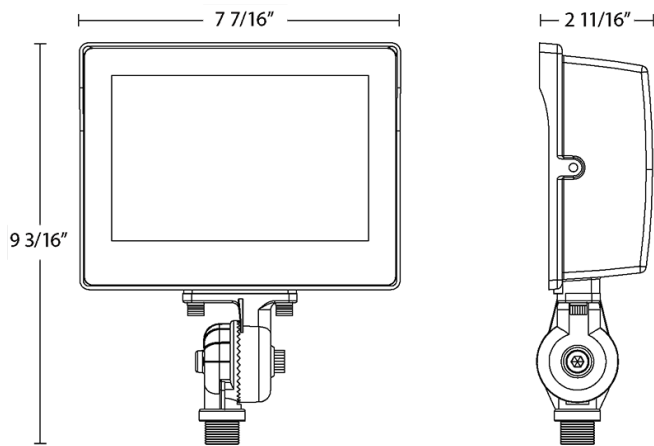
NEMA Beam Spread 7H x 7V

### Other

#### 5 Yr Limited Warranty:

The RAB 5-year, limited warranty covers light output, driver performance and paint finish. RAB's warranty is subject to all terms and conditions found at [rablighting.com/warranty](http://rablighting.com/warranty).

## Dimensions



## Features

- 3-Way field adjustability
- 0-10V Dimming, standard
- 100,000-hour LED lifespan
- 5-Year, limited warranty

## Ordering Matrix

Family	Wattage	Field Adjustability	Color Temp	Mounting	Finish	Driver	Options
X17	XFU	35			W		
	60 = 60/50/30W 80 = 80/60/40W 35 = 35/25/15W 330 = 330/250/170W 205 = 205/150/100W 140 = 140/100/70W 105 = 105/75/50W	XFU = 3-Way Field Adjustable	Blank = 3000/4000/5000K Adjustable	T = Trunnion SF = Slipfitter Blank = Knuckle	W = White Blank = Bronze	Blank = 120-277V /480 = 480V	Blank = Selectable photocell