



<b>Project:</b>	<b>Type:</b>
<b>Prepared By:</b>	<b>Date:</b>

Driver Info		LED Info	
Type	Constant Current	Watts	80W
120V	0.67A/0.50A/0.33A	Color Temp	3000/4000/5000K
208V	0.38A/0.29A/0.19A	Color Accuracy	81-83 CRI
240V	0.33A/0.25A/0.16A	L70 Lifespan	100,000 Hours
277V	0.29A/0.22A/0.14A	Lumens	6,342-12,215 lm
Input Watts	39.07-81.36W	Efficacy	141.2-163.9 lm/W

**Technical Specifications**

**Field Adjustability**

**3-Way Field Adjustable:**

Field Adjustable Light Output:  
80/60/40W (factory default 80W)  
Color temperature (selectable by 3000K, 4000K and 5000K)

**Compliance**

**UL Listed:**

Suitable for wet locations

**IESNA LM-79 & LM-80 Testing:**

RAB LED luminaires and LED components have been tested by an independent laboratory in accordance with IESNA LM-79 and LM-80.

**IP Rating:**

Ingress protection rating of IP65 for dust and water

**Electrical**

**Driver:**

80W: Constant Current, Class 1, 120-277V, 50/60Hz, 120V: 0.67A, 208V: 0.38A, 240V: 0.33A, 277V: 0.29A  
60W: Constant Current, Class 1, 120-277V, 50/60Hz, 120V: 0.50A, 208V: 0.29A, 240V: 0.25A, 277V: 0.22A  
40W: Constant Current, Class 1, 120-277V, 50/60Hz, 120V: 0.33A, 208V: 0.19A, 240V: 0.16A, 277V: 0.14A

**Dimming Driver:**

Driver includes wiring for 0-10V dimming systems. Dim as low as 10%.

**THD:**

9.56% at 120V, 10.13% at 277V

**Power Factor:**

99.9% at 120V, 93% at 277V

**Photocell:**

120-277V selectable photocell that can be turned on and off.

**Surge Protection:**

6kV

**Shorting Cap:**

Shorting Cap included for Twistlock Receptacle

**LED Characteristics**

**LEDs:**

Long-life, high-efficacy, surface-mount LEDs

**Color Uniformity:**

RAB's range of Correlated Color Temperature follows the guidelines of the American National Standard for Specifications for the Chromaticity of Solid State Lighting (SSL) Products, ANSI C78.377-2017.

**Construction**

**Cold Weather Starting:**

The minimum starting temperature is -40°C (-40°F)

**Ambient Temperature :**

Max Power Temp Rating: 40°C (104°F)  
Middle Power Temp Rating: 44°C (112°F)  
Low Power Temp Rating: 51°C (124°F)

**Housing:**

Precision die-cast aluminum

**Tilt Increment:**

Rotates in 6 degree increments

**Effective Projected Area:**

EPA = 0.79

**Lens:**

Tempered glass

**Reflector:**

Polycarbonate

**Finish:**

Formulated for high durability and long-lasting color

**Green Technology:**

Mercury and UV free. RoHS-compliant components.

## Technical Specifications (continued)

### Installation

#### Mounting:

Slipfitter with 180° pivot available for mounting on 2 3/8" tenon

### Optical

#### NEMA Type:

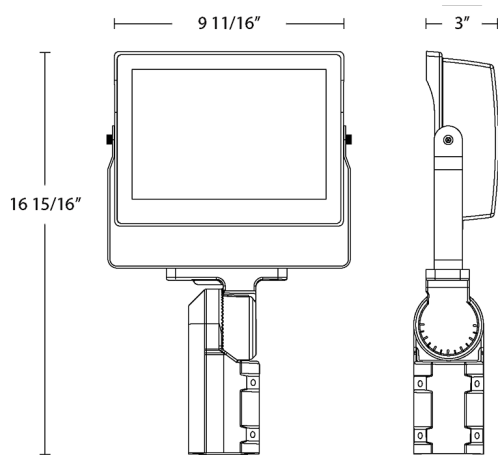
NEMA Beam Spread 7H x 7V

### Other

#### 5 Yr Limited Warranty:

The RAB 5-year, limited warranty covers light output, driver performance and paint finish. RAB's warranty is subject to all terms and conditions found at [rablighting.com/warranty](http://rablighting.com/warranty).

## Dimensions



## Features

- 3-Way field adjustability
- 0-10V Dimming, standard
- 100,000-hour LED lifespan
- 5-Year, limited warranty

## Ordering Matrix

Family	Wattage	Field Adjustability	Color Temp	Mounting	Finish	Driver	Options
X17	XFU	80		SF	W		
	60 = 60/50/30W 80 = 80/60/40W 35 = 35/25/15W 330 = 330/250/170W 205 = 205/150/100W 140 = 140/100/70W 105 = 105/75/50W	XFU = 3-Way Field Adjustable	Blank = 3000/4000/5000K Adjustable	T = Trunnion SF = Slipfitter Blank = Knuckle	W = White Blank = Bronze	Blank = 120-277V /480 = 480V	Blank = Selectable photocell