



Color: Bronze

Weight: 13.0 lbs

Project:	Type:
Prepared By:	Date:

Driver Info		LED Info	
Type	Constant Current	Watts	250W
120V	N/A	Color Temp	Field Adjustable 3000/4000/5000K
208V	N/A	Color Accuracy	82-85 CRI
240V	N/A	L70 Lifespan	50,000 Hours
277V	N/A	Lumens	19,336-39,653 lm
Input Watts	116.8-242.4W	Efficacy	149.7-175.2 lm/W

Technical Specifications

Field Adjustability

Field Adjustable:

Field Adjustable Light Output:
250W at 50%/75%/100% Power Selectable (factory default 250W at 100%)
Color temperature (selectable by 3000K, 4000K and 5000K)

Compliance

UL Listed:

Suitable for wet locations

IESNA LM-79 & LM-80 Testing:

RAB LED luminaires and LED components have been tested by an independent laboratory in accordance with IESNA LM-79 and LM-80.

IP Rating:

Ingress protection rating of IP66 for dust and water

Trade Agreements Act Compliant:

This product is a product of Cambodia and a "designated country" end product that complies with the Trade Agreements Act

DLC Listed:

This product is listed by Design Lights Consortium (DLC) as an ultra-efficient premium product that qualifies for the highest tier of rebates from DLC Member Utilities. Designed to meet DLC 5.1 requirements.

DLC Product Code: S-K01F53

Electrical

Driver:

Constant Current, Class 1, 480V, 50/60Hz, 480V: 0.53A

Dimming Driver:

Driver includes dimming control wiring for 0-10V dimming systems. Requires separate 0-10V DC dimming circuit. Dims down to 10%.

THD:

6.57% at 480V

Power Factor:

95.7% at 480V

Surge Protection:

4kV

Photocell:

Integrated photocell included with on/off switch

Optical

NEMA Type:

NEMA Beam Spread 7H x 7V

LED Characteristics

LEDs:

Long-life, high-efficacy, surface-mount LEDs

Color Consistency:

7-step MacAdam Ellipse binning to achieve consistent fixture-to-fixture color

Color Uniformity:

RAB's range of Correlated Color Temperature follows the guidelines of the American National Standard for Specifications for the Chromaticity of Solid State Lighting (SSL) Products, ANSI C78.377-2017.

Performance

Lifespan:

50,000-Hour LED lifespan based on IES LM-80 results and TM-21 calculations

Wattage Equivalency:

Equivalent to 1,000W Metal Halide

Construction

Cold Weather Starting:

The minimum starting temperature is -40°C (-40°F)

Ambient Temperature :

Max Power Temp Rating: 40°C (104°F)
Middle Power Temp Rating: 51°C (123°F)
Low Power Temp Rating: 61°C (142°F)

Housing:

Die-cast aluminum

Technical Specifications (continued)

Tilt Increment:

-90° to +90°

Lens:

Tempered glass

Reflector:

Polyethylene Terephthalate (PET)

Effective Projected Area:

EPA = 1.2

Finish:

Formulated for high durability and long-lasting color

Green Technology:

Mercury and UV free. RoHS-compliant components.

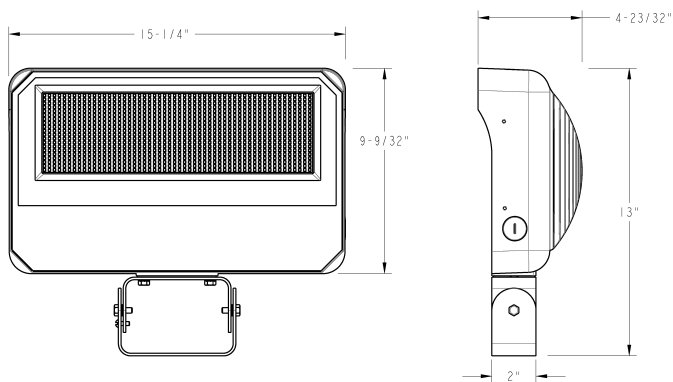
Installation**Mounting:**

Trunnion with tilt angle in 30° increments

Other**5 Yr Limited Warranty:**

The RAB 5-year, limited warranty covers light output, driver performance and paint finish. RAB's warranty is subject to all terms and conditions found at rablighting.com/warranty.

Dimensions



Features

- 50,000-Hour LED lifespan
- DLC Premium Listed
- 0-10V dimming, standard
- 5-Year, limited warranty