



<b>Project:</b>	<b>Type:</b>
<b>Prepared By:</b>	<b>Date:</b>

Driver Info		LED Info	
Type	Constant Current	Watts	35/25/20W
120V	0.30A/0.22A/0.18A	Color Temp	3000/4000/5000K
208V	N/A	Color Accuracy	81-84 CRI
240V	N/A	L70 Lifespan	100,000 Hours
277V	0.13A/0.10A/0.08A	Lumens	2,685-4,677 lm
Input Watts	19.6-33.6W	Efficacy	121.5-150.9 lm/W

## Technical Specifications

### Field Adjustability

#### Field Adjustable:

Field Adjustable Light Output:  
35W/25W/20W (factory default 35W)  
Color temperature selectable 3000K, 4000K and 5000K (factory default 4000K)

### Compliance

#### UL Listed:

Suitable for wet locations. Suitable for mounting within 4 ft of the ground.

#### IESNA LM-79 & LM-80 Testing:

RAB LED luminaires and LED components have been tested by an independent laboratory in accordance with IESNA LM-79 and LM-80.

#### IP Rating:

Ingress protection rating of IP65 for dust and water

#### Trade Agreements Act Compliant:

This product is a product of Cambodia and a "designated country" end product that complies with the Trade Agreements Act

#### DLC Listed:

This product is on the Design Lights Consortium (DLC) Qualified Products List and is eligible for rebates from DLC Member Utilities. Designed to meet DLC 5.1 requirements.  
DLC Product Code: S-T9KEIS

### Electrical

#### Driver:

Constant Current, Class 1, 120/277V, 50/60 Hz  
35W: 120V: 0.30A, 277V: 0.13A  
25W: 120V: 0.22A, 277V: 0.10A  
20W: 120V: 0.18A, 277V: 0.08A

#### THD:

35W: 4.3% at 120V, 8.2% at 277V  
25W: 5.0% at 120V, 16.8% at 277V  
20W: 6.1% at 120V, 20.5% at 277V

#### Power Factor:

35W: 99.7% at 120V, 96.2% at 277V  
25W: 99.7% at 120V, 91.7% at 277V  
20W: 99.4% at 120V, 90.6% at 277V

#### Surge Protection:

2kV

### Optical

#### NEMA Type:

NEMA Beam Spread 7H x 7V

### LED Characteristics

#### LEDs:

Long-life, high-efficacy, surface-mount LEDs

### Color Uniformity:

RAB's range of Correlated Color Temperature follows the guidelines of the American National Standard for Specifications for the Chromaticity of Solid State Lighting (SSL) Products, ANSI C78.377-2017.

### Performance

#### Lifespan:

100,000-Hour LED lifespan based on IES LM-80 results and TM-21 calculations

#### Wattage Equivalency:

35W: Replaces up to 150W Metal Halide (MH) or 100W High Pressure Sodium (HPS)  
25W: Replaces up to 100W Metal Halide (MH) or 70W High Pressure Sodium (HPS)  
20W: Replaces up to 100W Metal Halide (MH) or 70W High Pressure Sodium (HPS)

### Construction

#### Cold Weather Starting:

The minimum starting temperature is -40°C (-40°F)

#### Maximum Ambient Temperature:

Suitable for use in up to 40°C (104°F)

#### Housing:

Die-cast aluminum

**Technical Specifications (continued)**

**Lens:**

Glass

**Reflector:**

Polycarbonate

**Finish:**

Formulated for high durability and long-lasting color

**Green Technology:**

Mercury and UV free. RoHS-compliant components.

**Installation**

**Mounting:**

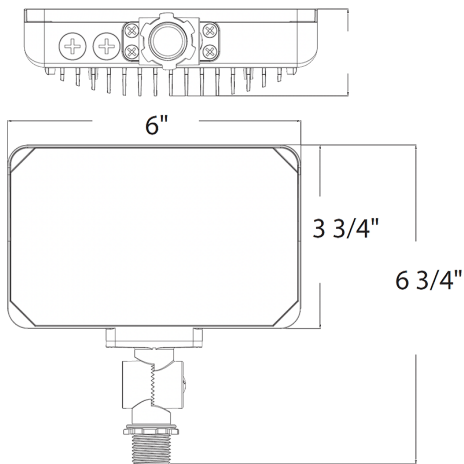
Knuckle mount

**Other**

**5 Yr Limited Warranty:**

The RAB 5-year, limited warranty covers light output, driver performance and paint finish. RAB's warranty is subject to all terms and conditions found at [rablighting.com/warranty](http://rablighting.com/warranty).

**Dimensions**



**Features**

- 100,000-Hour LED lifespan
- IP65 Rated
- 5-Year, limited warranty

**Ordering Matrix**

Family	Wattage	Mounting	Color Temp	Finish	Driver
X34	S			W	
	XS = 16/13/10W S = 35/25/20W M = 65/55/45W	Blank = Knuckle	Blank = 3000/4000/5000K CCT Adjustable	Blank = Bronze W = White	Blank = 120V/277V