

# ADAPTIVE PRO 200W

## 5-in-1 Dimmable 24V Power Supply

The Adaptive Pro 5-in-1 dimmable drivers are designed to operate with any standard MLV / ELV / Incandescent TRIAC (forward phase) dimmer switch or can also be used with secondary side controls systems. Encased in a sealed low profile aluminum enclosure Suitable for outdoor locations.

- 200W 24V DC constant voltage hardwire driver
- Class I metal housing (Type HL)
- 5-in-1 Forward and Reverse Phase Dimming:  
ELV / MLV / TRIAC / 0-10V / 1-10V / 10V PWM / Potentiometer
- Short circuit, over-voltage, over-temperature, overload protections
- 8" (SJTW) Lead & Tail Wire
- cULus Listed Wet location rated
- Class P, Type HL, FCC Compliant



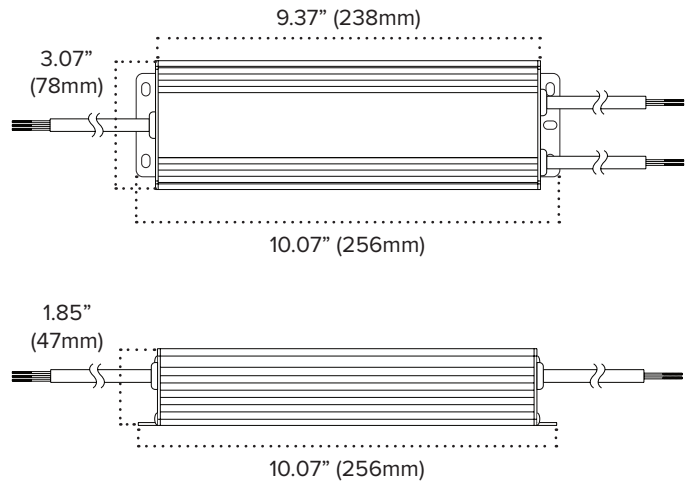
PROJECT:
TYPE:
LOCATION:
CATALOG NUMBER:



### ADAPTIVE PRO - 200W QUICK SPECS

<b>SERIES</b>	ADPTPRO 200W
<b>INPUT VOLTAGE</b>	100-277V AC (2.3A Max)
<b>INPUT FREQUENCY</b>	47-63Hz
<b>OUTPUT VOLTAGE</b>	24V DC
<b>RATED CURRENT</b>	8.33A
<b>POWER FACTOR</b>	0.98@120V / 0.95@277V
<b>MIN LOAD</b>	20W
<b>MAX LOAD</b>	200W
<b>EFFICIENCY</b>	> 86% (120V) / 88% (277V)
<b>DIMENSIONS</b>	10.07" (256mm) L x 3.07" (78mm) W x 1.85" (47mm) H
<b>DIMMING</b>	Phase (ELV/MLV/TRIAC) / 0-10V / 1-10V / 10V PWM / Potentiometer
<b>OPERATING TEMP</b>	-40°F to 140°F (-40°C to 60°C)
<b>RATING</b>	cULus Listed for Wet locations

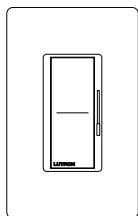
### ADAPTIVE PRO - 200W QUICK DIMENSIONS



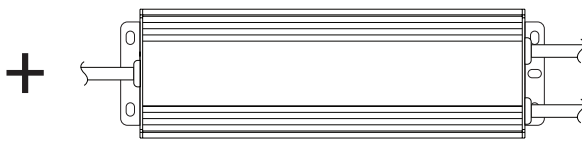
### ADAPTIVE PRO - 200W ORDERING INFORMATION

ITEM NUMBER	DESCRIPTION
ADPTPRO-200-24	Adaptive Pro 24V - 200W Power Supply

### ADAPTIVE PRO - 200W QUICK SET UP



Dimmer Switch

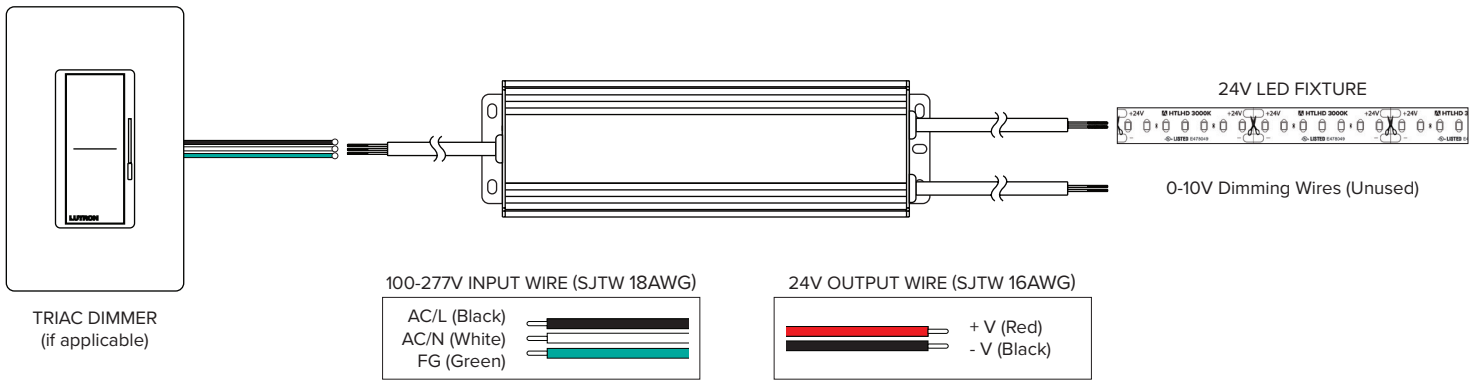


Adaptive Pro 200W Power Supply



24V LED Fixture

**ADAPTIVE PRO - 200W TRIAC/ELV/MLV DIMMING WIRING DIAGRAM**



**ADAPTIVE PRO - 200W 0-10V WIRING DIAGRAM**

