

ADAPTIVE PRO 30W

5-in-1 Dimmable 24V Power Supply

The Adaptive Pro 5-in-1 dimmable Class 2 drivers are designed to operate with any standard MLV / ELV / Incandescent TRIAC (forward phase) dimmer switch or can also be used with secondary side controls systems. Encased in a low profile aluminum enclosure that includes knock-outs for easy installation in any low voltage application.

- Slim and compact 24V DC constant voltage hardwire driver
- Dedicated line voltage and low voltage wiring compartments
- Multiple 7/8" knock-outs for easy wire configuration
- Short circuit, over-voltage, over-temperature, overload protections
- 5-in-1 Forward and Reverse Phase Dimming:
ELV / MLV / TRIAC / 0-10V / 1-10V / 10V PWM / Potentiometer
- cULus Listed Wet location rated
- Class 2, Type HL, FCC Compliant



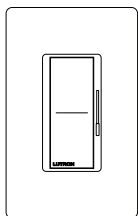
ADAPTIVE PRO - 30W QUICK SPECS

SERIES	ADPTPRO-DRJ 30W
INPUT VOLTAGE	100-277V AC
INPUT FREQUENCY	47-63Hz
OUTPUT VOLTAGE	24V DC
RATED CURRENT	1.25A
POWER FACTOR	0.99@120V / 0.95@277V
MIN LOAD	3W
MAX LOAD	30W
EFFICIENCY	> 79% (120V) / 80% (277V)
DIMENSIONS	6.49" (165mm) L x 3.6" (90mm) W x 1.02" 40mm H
DIMMING	Phase (ELV/MLV/TRIAC) / 0-10V / 1-10V / 10V PWM / Potentiometer
OPERATING TEMP	-40°F to 140°F (-40°C to 60°C)
RATING	cULus Listed for Wet locations

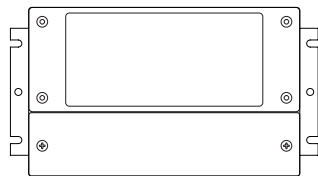
ADAPTIVE PRO - 30W ORDERING INFORMATION

ITEM NUMBER	DESCRIPTION
ADPTPRO-DRJ-30-24	Adaptive Pro 24V - 30W Power Supply

ADAPTIVE PRO - 30W QUICK SET UP



Dimmer Switch



Adaptive Pro 30W Power Supply



24V LED Fixture

PROJECT: _____

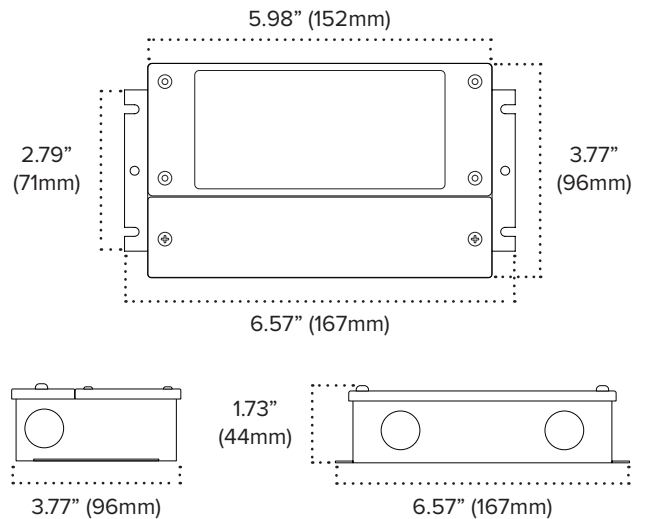
TYPE: _____

LOCATION: _____

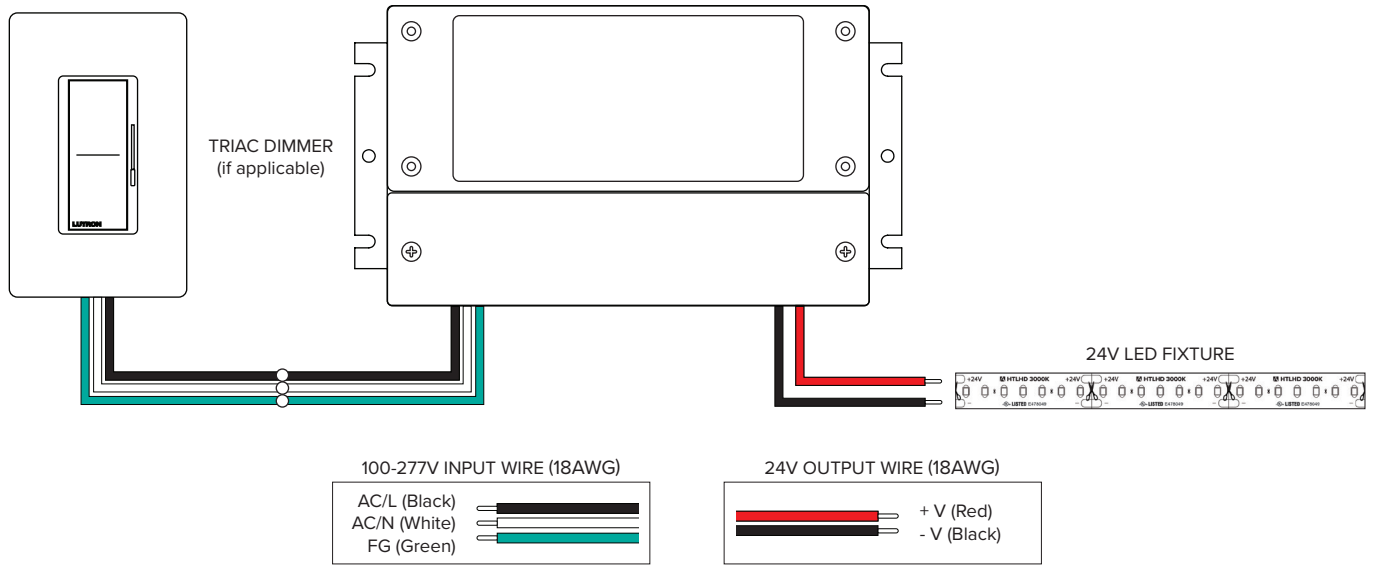
CATALOG NUMBER: _____



ADAPTIVE PRO - 30W QUICK DIMENSIONS



ADAPTIVE PRO - 30W TRIAC/ELV/MLV DIMMING WIRING DIAGRAM



ADAPTIVE PRO - 30W 0-10V WIRING DIAGRAM

