

NAVI CCT SERIES

24V DC Dimmer + Driver + CCT Control

Navi CCT simplifies LED lighting systems by combining an in-wall LED dimmer switch and power supply with Tunable CCT capability into a single integrated unit. Navi CCT mounts to standard in-wall switch box, accepts 120V AC and converts to low voltage DC, and is compatible with most 24VDC tunable CCT tape light and fixtures.

- All-in-one LED Driver + In-Wall Dimmer Switch + Tunable CCT Control
- Simplifies LED installation by eliminating compatibility issues
- Fits standard single gang recessed electrical box
- 0.3-100% dimming range - No minimum load
- Single Pole or 3-way dimmer with on/off push switch
- Adjustable voltage output dial to address voltage drop
- Includes voltage barrier partition to install high and low voltage circuit in same switch box
- No derating required when ganging units
- Power failure memory recalls settings prior to interruption
- Fits most standard decora faceplate trims (not included)



PROJECT: _____

TYPE: _____

LOCATION: _____

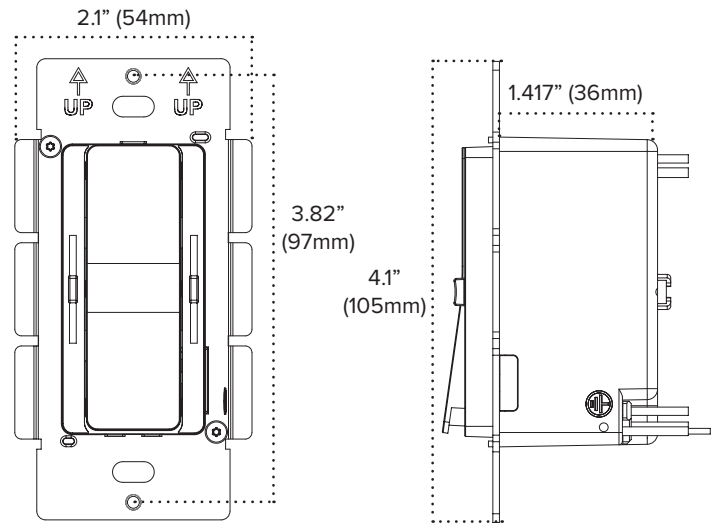
CATALOG NUMBER: _____



NAVI CCT QUICK SPECS

INPUT VOLTAGE	120V AC (108~132VAC), 60Hz
INPUT CURRENT	<0.9A @ 120VAC max load
THD	≤10% @ max load
INRUSH CURENT	50A, 150us@50%Ipeal
LEAKAGE CURRENT	<0.5mA
OUTPUT VOLTAGE	24V DC
LOAD REGULATION	≤1%
LINE REGULATION	≤0.5%
STAND-BY POWER	≤0.5W
MAX LOAD	60W, 2.5A (24VDC 60W) / 100W, 4A (24VDC 100W)
POWER FACTOR	>0.99/120VAC @ max load - Built in PFC Function
EFFICIENCY	91% @ 120V max load
DIMMING	0.3-100% - 16KHZ PWM output - gamma 2.2 curve
PROTECTIONS	Short Circuit, Thermal Runway, Over Voltage
OPERATING TEMP	-40°C to 60°C (see derating curve on page #)
AMBIENT TEMP	0°C to 40°C
RATINGS	cULus Listed / FCC / SELV / Class 2 / Class P / Indoor Use Only / Dry & Damp Locations
RATED LIFE	>30,000 Hours

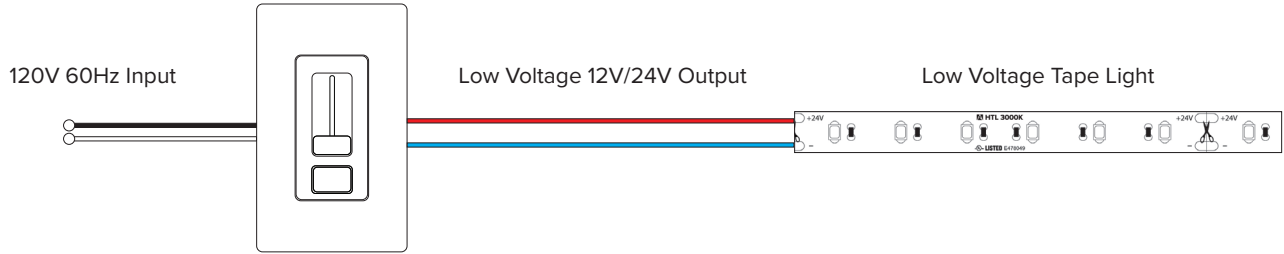
NAVI CCT QUICK DIMENSIONS



NAVI CCT ORDERING INFORMATION

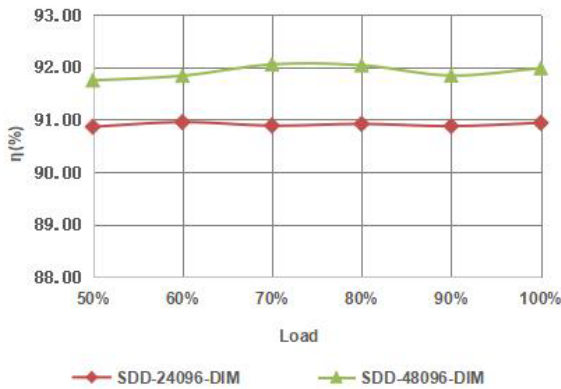
ITEM NUMBER	FINISH	OUTPUT	WATTAGE
NAVI-CCT-96-24-WH	White	24V DC	60W
NAVI-CCT-96-24-BK	Black	24V DC	60W

NAVI CCT QUICK SET-UP

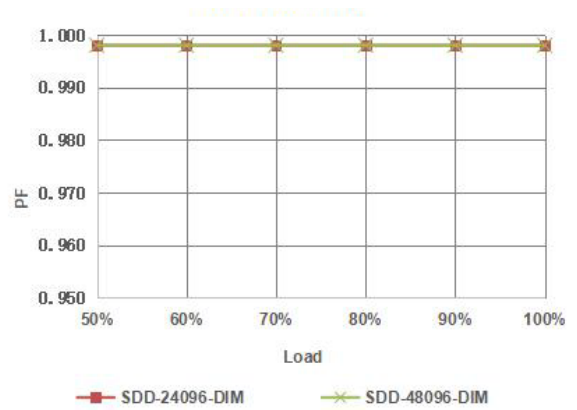


NAVI CCT EFFICIENCY CURVE

Efficiency VS Output

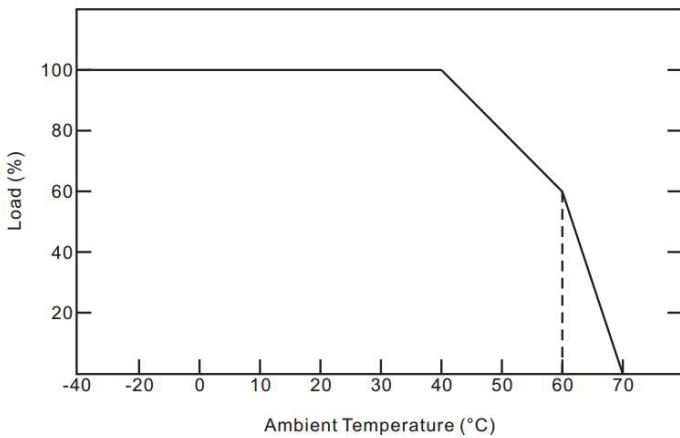


NAVI CCT POWER FACTOR CURVE

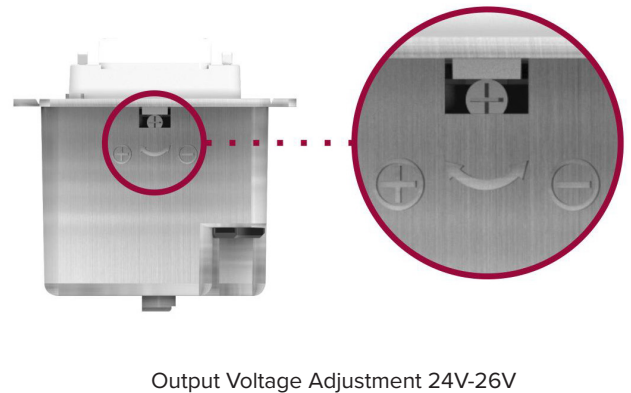


NAVI CCT DERATING CURVE

Output VS Ambient Temp



NAVI CCT VOLTAGE ADJUSTMENT



1. To extend product life, please refer to the derating curve and derate according to ambient temperature.
2. The output current of the LED Driver should be selected according to the rated current of the lamp and the ambient temperature.
3. Be sure not to load a driver to 100% as this will reduce its efficiency; a 90% maximum load is recommended.

NAVI CCT COMPLIANCE & REGULATIONS

- UL8750 CAN/CSA-C22.2 No.250.13 (US)
- FCC Approved. Complies with the limits for a Class B digital device, pursuant to Part 15 of the FCC Rules
- Conforms to NEC Code 725.136 (See Mechanical Diagram): Class 1 and Class 2 circuit in same enclosure must be separated by a barrier (partition) unless Class 2 circuit conductors are install in accordance with 725.41 Class 1 Circuits.



AMERICAN LIGHTING WARRANTY

LIMITED WARRANTY FOR LED PRODUCTS: 2 YEARS

LIMITED PRODUCT WARRANTY

Our products are warranted to be free from defects in material and workmanship for the warranty period listed. Warranty periods begin from the date of shipment from American Lighting Inc's warehouse to the original purchaser. Products that prove to be defective during their specific warranty period will be either repaired or replaced, at the sole discretion of American Lighting Inc. Claims for defective products must be submitted in writing to American Lighting Inc's RGA Department within the warranty period. Upon approval of such return, American Lighting Inc reserves the right to inspect the product for misuse or abuse. Claims for indirect or consequential damages or for product that, in American Lighting Inc's opinion, has been misused will be denied. This is a warranty of product reliability only and not a warranty of merchantability or fitness for a particular purpose. American Lighting Inc shall have no liability whatsoever in any event for payment of incidental or consequential damages, including, without limitations, installation costs and/or damages for personal injury and/or property. These products may represent a possible shock or fire hazard if improperly installed or altered in any way. This warranty does not apply to any product that has not been properly installed in accordance with current local codes and/or the National Electrical Code. Products that require a transformer, driver, or power supply must be used in conjunction with American Lighting Inc's recommended power supply to ensure safety and retain product warranty.

PRODUCT SPECIFICATIONS

For the latest product information, updates, instructions and details concerning specifications, colors, finishes, performance, installation and design, visit www.americanlighting.com. Color may vary from the color printed herein due to limitations in photographic and printing processes. American Lighting Inc. reserves the right to change product specifications without notice. Other product specifications such as color temperature, wavelength characteristics and lumen output are subject to production limitations and may vary. LED technology is changing rapidly, and not all color temperatures and performance levels can be duplicated at a later time. Best practices include purchasing 10-15% more for a particular project on the same initial order where white LED color temperatures must be maintained over project and product life. Eventual product replacement should be considered at layout and design stages. Best practices also include testing connections and product performance prior to mounting and/or installing.

AVERAGE LIFE

Average incandescent lamp life, rated life and average life are terms used to describe the number of hours at which half of the lamps have failed. For LEDs, the hours of rated life specify the point where 70% of original lumen output is reached. Below this point, the effective life is over, however, the LED may still emit light. Individual results may vary with actual environmental conditions including, but not limited to, proper installation, ambient temperature and/or input voltage fluctuations.