

# SLIMFIT 5CCT

## 120V AC 5CCT Slim Flush Mount

The 120V Slimfit Series offers easy installation and 5 built-in CCT settings that provide 2700K, 3000K, 3500K, 4000K, or 5000K white light. Rated to perform in a variety of settings including wet locations, the Slimfit Series is the perfect choice for retrofitting or updating existing surface mount fixtures.

- Excellent color rendering (90+ CRI)
- Five selectable color temperatures:  
2700K / 3000K / 3500K / 4000K / 5000K
- Aluminum housing with polycarbonate lens
- Available in 5", 7", 9" and 12" sizes
- Lumen output up to 1400 Lumens
- Dimmable with most TRIAC or ELV dimmers
- Surface mounts to pancake or standard depth 4" junction box;  
Required distance between mounting holes: 3-1/2"
- cETLus Listed for wet locations
- 50,000 hours rated life
- Energy Star certified & JA8 Compliant

PROJECT: \_\_\_\_\_

TYPE: \_\_\_\_\_

LOCATION: \_\_\_\_\_

CATALOG NUMBER: \_\_\_\_\_



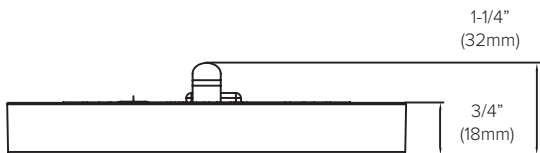
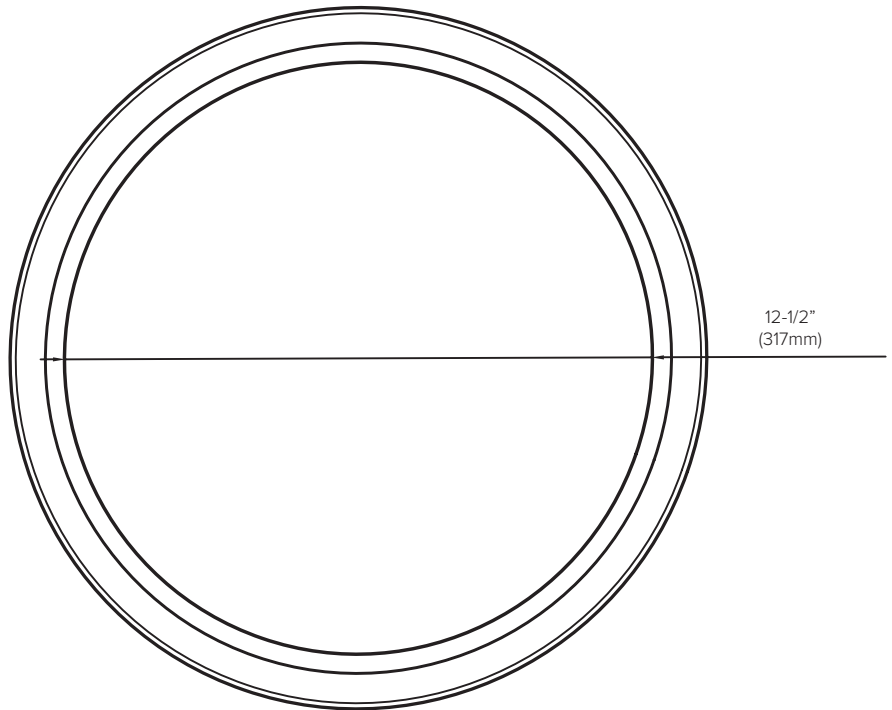
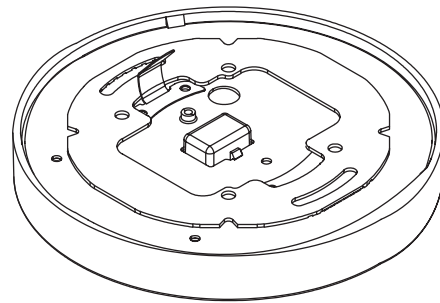
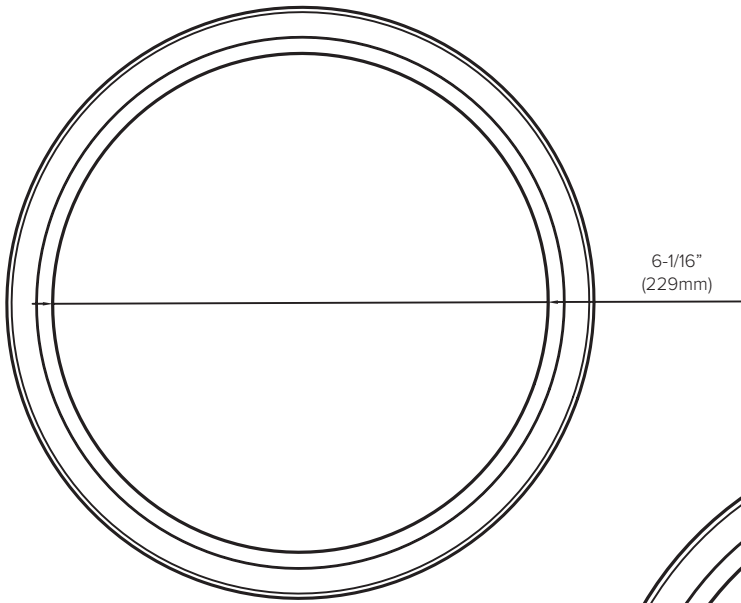
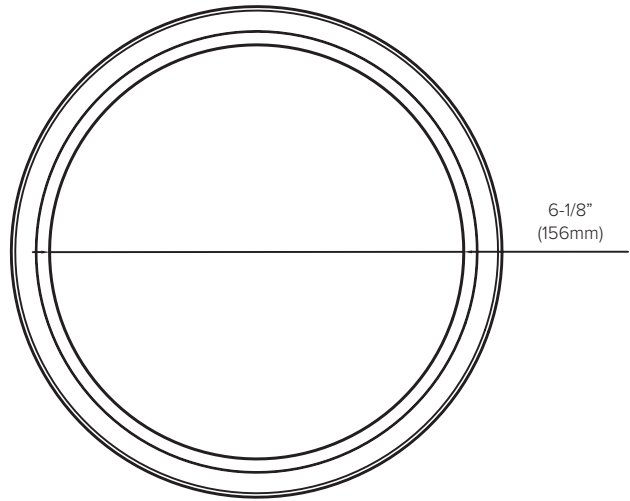
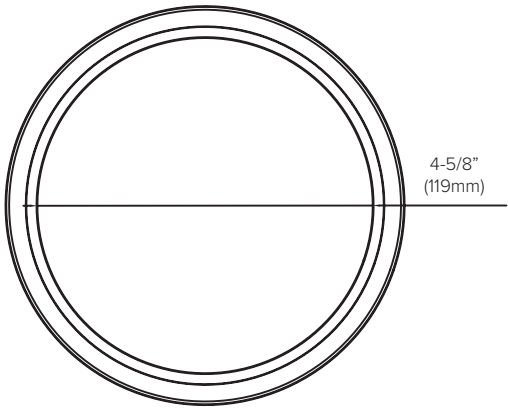
### SLIM FIT 5CCT SERIES QUICK SPECS

<b>VOLTAGE</b>	120V AC, 60Hz
<b>WATTAGE</b>	12W / 15W / 18W / 22W
<b>LUMENS</b>	See Ordering Information
<b>CCT OPTIONS</b>	5CCT (2700K / 3000K / 3500K / 4000K / 5000K)
<b>CRI</b>	90+
<b>MOUNTING</b>	Surface Flush mount (pancake or standard depth 4" junction box)
<b>DIMMING</b>	TRIAC / ELV (10 - 100%)
<b>BEAM ANGLE</b>	120°
<b>OPERATING TEMP</b>	-31°F (-35°C) to +122°F (+50°C)
<b>CERTIFICATIONS</b>	cETLus Listed - JA8 - Energy Star - Wet Location
<b>RATED LIFE</b>	50,000 Hours

### SLIM FIT 5CCT SERIES ORDERING INFORMATION

ITEM NUMBER	SIZE	FINISH	VOLTAGE	CCT	CRI	LM @ 27	LM @ 30	LM @ 35	LM @ 40	LM @ 50	WATTAGE	DIMMING
SL5-5CCT-WH	5"	White	120V	5CCT	90+	704	728	744	800	768	12W	10-100%
SL7-5CCT-WH	7"	White	120V	5CCT	90+	880	910	930	1000	960	15W	10-100%
SL9-5CCT-WH	9"	White	120V	5CCT	90+	1055	1090	1115	1200	1150	18W	10-100%
SL12-5CCT-WH	12"	White	120V	5CCT	90+	1230	1270	1300	1400	1340	22W	10-100%

**SLIM FIT 5CCT SERIES QUICK DIMENSIONS**





# AMERICAN LIGHTING WARRANTY

## LIMITED WARRANTY FOR LED PRODUCTS: 5 YEARS

### LIMITED PRODUCT WARRANTY

Our products are warranted to be free from defects in material and workmanship for the warranty period listed. Warranty periods begin from the date of shipment from American Lighting Inc's warehouse to the original purchaser. Products that prove to be defective during their specific warranty period will be either repaired or replaced, at the sole discretion of American Lighting Inc. Claims for defective products must be submitted in writing to American Lighting Inc's RGA Department within the warranty period. Upon approval of such return, American Lighting Inc reserves the right to inspect the product for misuse or abuse. Claims for indirect or consequential damages or for product that, in American Lighting Inc's opinion, has been misused will be denied. This is a warranty of product reliability only and not a warranty of merchantability or fitness for a particular purpose. American Lighting Inc shall have no liability whatsoever in any event for payment of incidental or consequential damages, including, without limitations, installation costs and/or damages for personal injury and/or property. These products may represent a possible shock or fire hazard if improperly installed or altered in any way. This warranty does not apply to any product that has not been properly installed in accordance with current local codes and/or the National Electrical Code. Products that require a transformer, driver, or power supply must be used in conjunction with American Lighting Inc's recommended power supply to ensure safety and retain product warranty.

### PRODUCT SPECIFICATIONS

For the latest product information, updates, instructions and details concerning specifications, colors, finishes, performance, installation and design, visit [www.americanlighting.com](http://www.americanlighting.com). Color may vary from the color printed herein due to limitations in photographic and printing processes. American Lighting Inc. reserves the right to change product specifications without notice. Other product specifications such as color temperature, wavelength characteristics and lumen output are subject to production limitations and may vary. LED technology is changing rapidly, and not all color temperatures and performance levels can be duplicated at a later time. Best practices include purchasing 10-15% more for a particular project on the same initial order where white LED color temperatures must be maintained over project and product life. Eventual product replacement should be considered at layout and design stages. Best practices also include testing connections and product performance prior to mounting and/or installing.

### AVERAGE LIFE

Average incandescent lamp life, rated life and average life are terms used to describe the number of hours at which half of the lamps have failed. For LEDs, the hours of rated life specify the point where 70% of original lumen output is reached. Below this point, the effective life is over, however, the LED may still emit light. Individual results may vary with actual environmental conditions including, but not limited to, proper installation, ambient temperature and/or input voltage fluctuations.