

WARM DIM DOWNLIGHTS

Warm Dim Remodel Downlight

Warm dim technology provides the glow and ambience of traditional incandescent lighting with flicker-free, smooth transition, high efficiency LED Lighting. These 4" downlights have been designed with style in mind. A sleek body with polished finish and engineered optics provide the perfect solution for general and accent lighting.

- Excellent color rendering (90+ CRI)
- Aluminum housing with polycarbonate lens
- Warm Dim from 3000K-1800K
- Lumen output up to 800 Lumens
- Available in 4" static and 4" gimbal with 30° lens tilt
- Dimmable with most TRIAC/ELV dimmers
- Spring loaded mounting clips for direct install
- Type IC and cETLus Listed for Damp locations
- 50,000 hours rated life



PROJECT: _____

TYPE: _____

LOCATION: _____

CATALOG NUMBER: _____



WARM DIM DOWNLIGHT QUICK SPECS

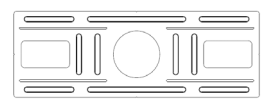
VOLTAGE	120V AC, 60Hz
WATTAGE	11W
LUMENS	Up to 800Lm
CCT OPTIONS	3000K-1800K Warm Dim
CRI	90+
MOUNTING	Recessed mount
DIMMING	TRIAC/ELV (10 - 100%)
BEAM ANGLE	30°
OPERATING TEMP	-20°C (-4°F) to 40°C (104°F)
CERTIFICATIONS	Type IC; cETLus Listed - Damp Location
RATED LIFE	50,000 Hours

WARM DIM DOWNLIGHT ORDERING INFORMATION

ITEM NUMBER	SIZE	FINISH	VOLTAGE	CCT	CRI	LM @ 30	WATTAGE	DIMMING
PLX-DL4-WTD-3018-WH	4"	White	120V AC	3000K-1800K	90+	800	11W	10-100%
PLX-DL4S-WTD-3018-WH	4" Gimbal	White	120V AC	3000K-1800K	90+	800	11W	10-100%

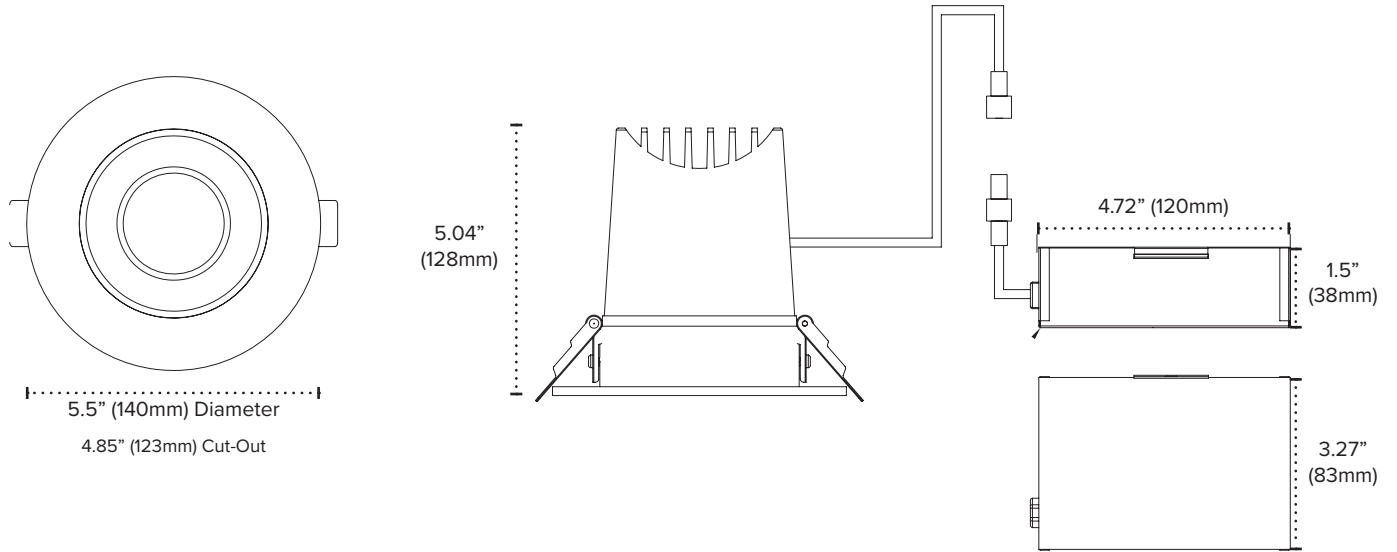
WARM DIM DOWNLIGHT ACCESSORY ORDERING INFORMATION

ITEM NUMBER	SIZE
RP-DL4	Rough-in plate for DL4 4" Downlights with 123mm cut-out

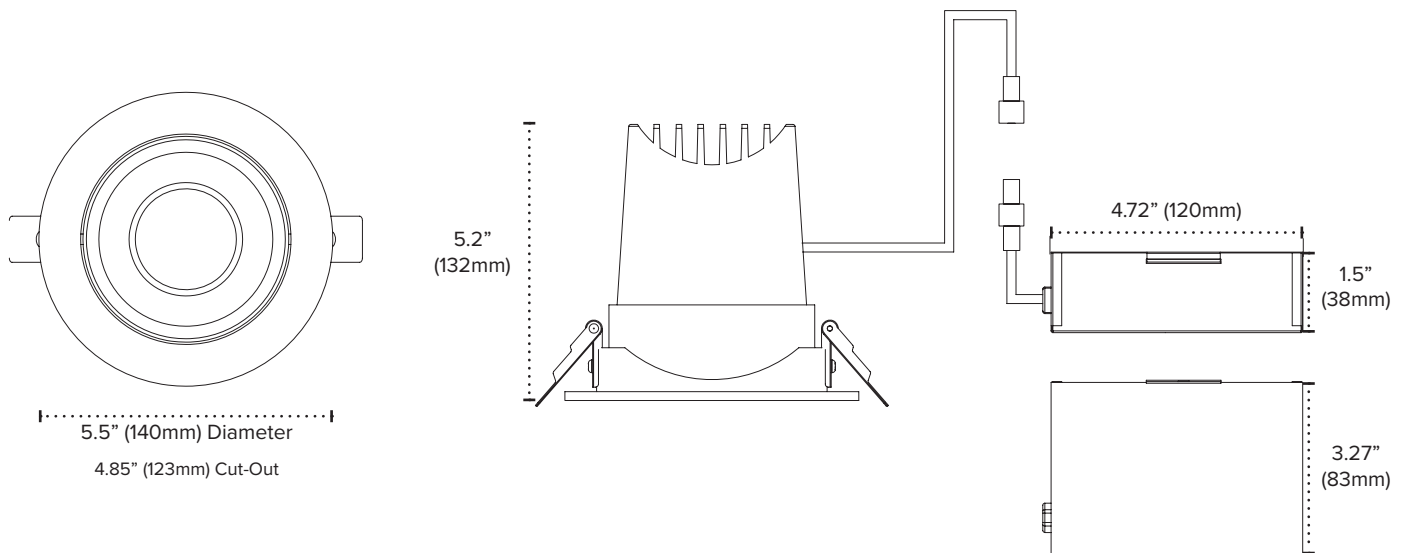


WARM DIM DOWNLIGHT DIMENSIONS

PLX-DL4-WTD-3018-WH

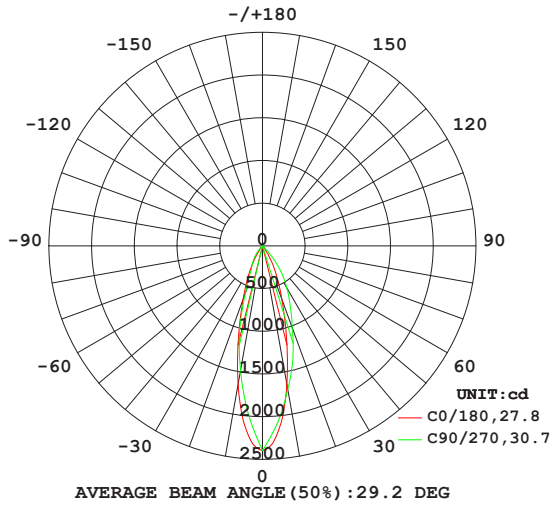


PLX-DL4S-WTD-3018-WH



WARM DIM DOWNLIGHT PHOTOMETRICS

PLX-DL4-WTD-3018-WH

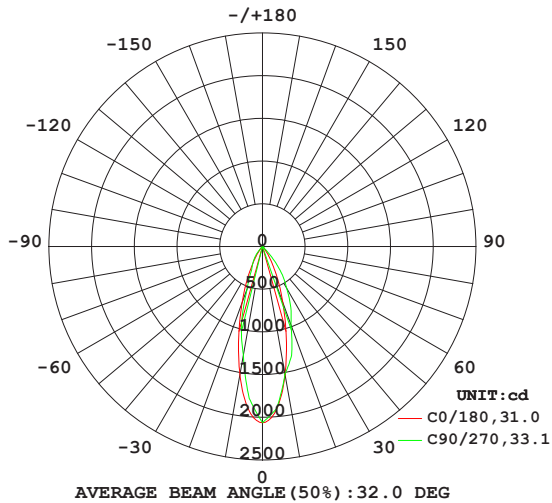


Flux out: 302.3 lm

Height	Eavg, Emax	Angle: 27.39deg	Diameter
1m	1548, 2396lx		48.74cm
2m	387.0, 599.0lx		97.49cm
3m	172.0, 266.2lx		146.23cm
4m	96.74, 149.7lx		194.98cm
5m	61.91, 95.83lx		243.72cm
6m	43.00, 66.55lx		292.46cm
7m	31.59, 48.89lx		341.21cm
8m	24.19, 37.43lx		389.95cm
9m	19.11, 29.58lx		438.70cm
10m	15.48, 23.96lx		487.44cm

Note: The Curves indicate the illuminated area and the average illumination when the luminaire is at different distance.

PLX-DL4S-WTD-3018-WH

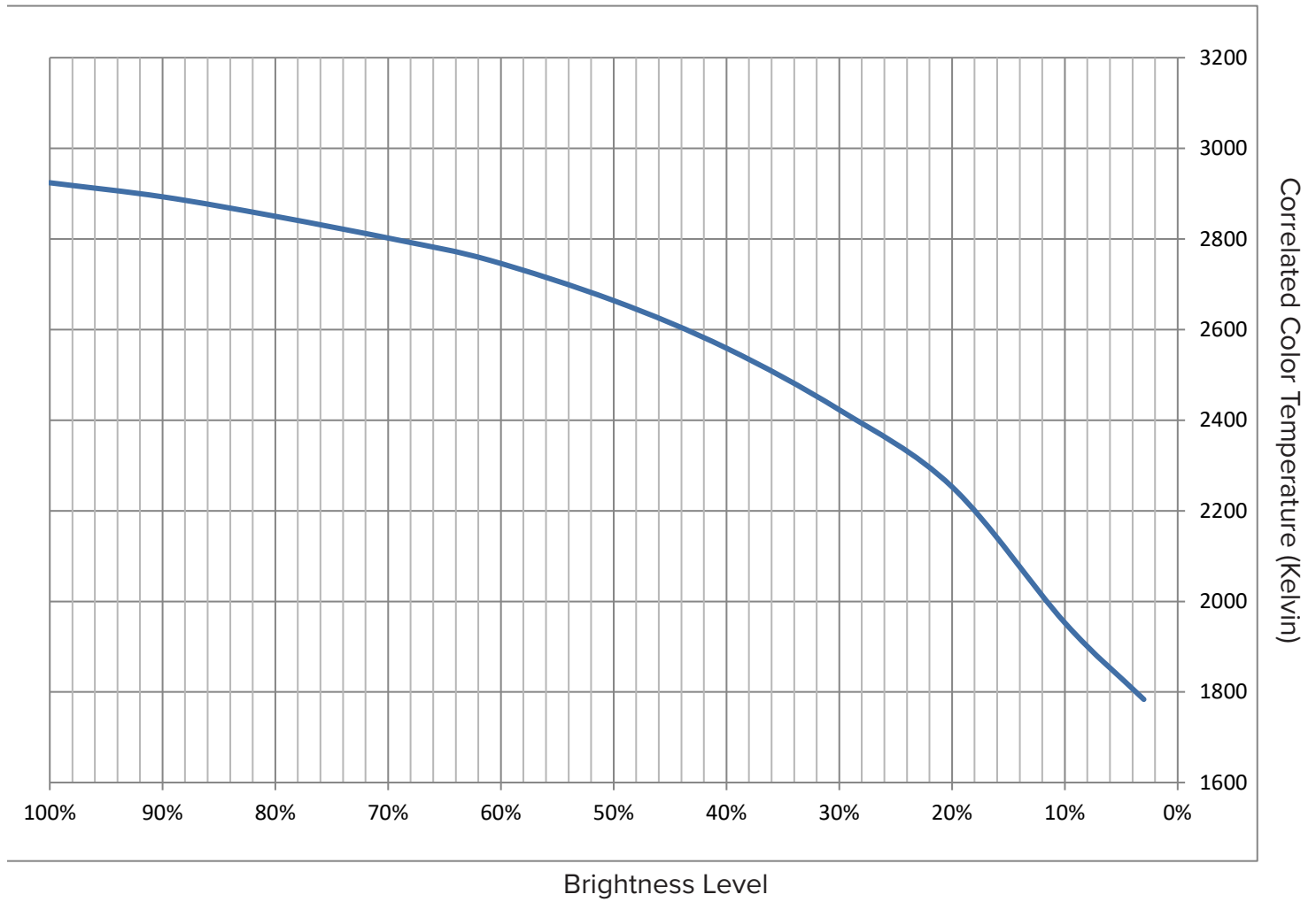


Flux out: 290.3 lm

Height	Eavg, Emax	Angle: 28.49deg	Diameter
1m	1382, 2063lx		50.78cm
2m	345.4, 515.8lx		101.57cm
3m	153.5, 229.3lx		152.35cm
4m	86.35, 129.0lx		203.13cm
5m	55.27, 82.53lx		253.92cm
6m	38.38, 57.32lx		304.70cm
7m	28.20, 42.11lx		355.48cm
8m	21.59, 32.24lx		406.27cm
9m	17.06, 25.47lx		457.05cm
10m	13.82, 20.63lx		507.83cm

Note: The Curves indicate the illuminated area and the average illumination when the luminaire is at different distance.

WARM DIM DOWNLIGHT DIMMING CURVE





AMERICAN LIGHTING WARRANTY

LIMITED WARRANTY FOR LED PRODUCTS: 5 YEARS

LIMITED PRODUCT WARRANTY

Our products are warranted to be free from defects in material and workmanship for the warranty period listed. Warranty periods begin from the date of shipment from American Lighting Inc's warehouse to the original purchaser. Products that prove to be defective during their specific warranty period will be either repaired or replaced, at the sole discretion of American Lighting Inc. Claims for defective products must be submitted in writing to American Lighting Inc's RGA Department within the warranty period. Upon approval of such return, American Lighting Inc reserves the right to inspect the product for misuse or abuse. Claims for indirect or consequential damages or for product that, in American Lighting Inc's opinion, has been misused will be denied. This is a warranty of product reliability only and not a warranty of merchantability or fitness for a particular purpose. American Lighting Inc shall have no liability whatsoever in any event for payment of incidental or consequential damages, including, without limitations, installation costs and/or damages for personal injury and/or property. These products may represent a possible shock or fire hazard if improperly installed or altered in any way. This warranty does not apply to any product that has not been properly installed in accordance with current local codes and/or the National Electrical Code. Products that require a transformer, driver, or power supply must be used in conjunction with American Lighting Inc's recommended power supply to ensure safety and retain product warranty.

PRODUCT SPECIFICATIONS

For the latest product information, updates, instructions and details concerning specifications, colors, finishes, performance, installation and design, visit www.americanlighting.com. Color may vary from the color printed herein due to limitations in photographic and printing processes. American Lighting Inc. reserves the right to change product specifications without notice. Other product specifications such as color temperature, wavelength characteristics and lumen output are subject to production limitations and may vary. LED technology is changing rapidly, and not all color temperatures and performance levels can be duplicated at a later time. Best practices include purchasing 10-15% more for a particular project on the same initial order where white LED color temperatures must be maintained over project and product life. Eventual product replacement should be considered at layout and design stages. Best practices also include testing connections and product performance prior to mounting and/or installing.

AVERAGE LIFE

Average incandescent lamp life, rated life and average life are terms used to describe the number of hours at which half of the lamps have failed. For LEDs, the hours of rated life specify the point where 70% of original lumen output is reached. Below this point, the effective life is over, however, the LED may still emit light. Individual results may vary with actual environmental conditions including, but not limited to, proper installation, ambient temperature and/or input voltage fluctuations.