

NIEVE SERIES DOWNLIGHT

120-277V Surface Mount Downlight

Ultra slim and modern sleek, the NiEVE series downlight features an edgeless surface mount design that blends seamlessly into its surroundings. With uniform light output, the NIEVE produces up to 1200 vivid lumens in a 3000K warm white color temperature. Available in two fixture sizes, 5" and 7", as well as a battery back-up option accessory for use in both residential and commercial applications.

- Modern low profile surface mount design
- Up to 1200 lumen output performance
- 3000K color temperature with 90+ CRI
- Mounts to most 40 & 30 octagonal/round junction boxes
- Battery back-up accessory available
- Dimmable with most TRIAC / ELV or 0-10V dimmers
- cETLus Listed for wet locations
- 35,000 hours rated life - 5 Year Limited Warranty
- ENERGY STAR Certified



PROJECT:
TYPE:
LOCATION:
CATALOG NUMBER:



NIEVE SERIES QUICK SPECS

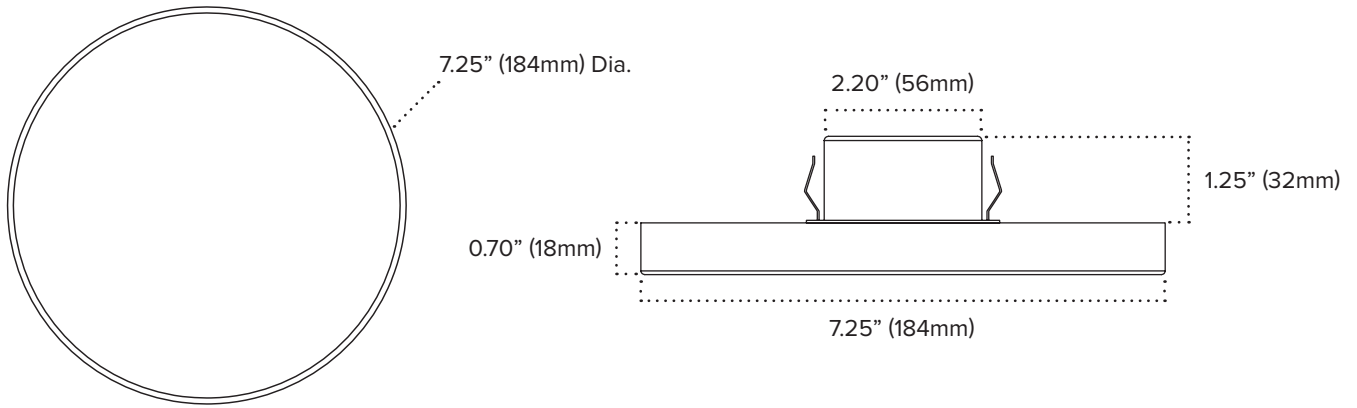
VOLTAGE	120-277V AC, 60Hz
WATTAGE	15W / 20W (Battery Back-up)
LUMENS	1200Lm
CCT OPTIONS	3000K
CRI	90+
MOUNTING	Surface mount - 40 Octagonal / 40 Round / 30 Round
DIMMING	TRIAC / ELV 10 - 100% / 0-10V Dimming
BEAM ANGLE	150°
OPERATING TEMP	-10°C (14°F) to 50°C (122°F)
CERTIFICATIONS	cETLus Listed / Energy Star Certified / Wet Location
RATED LIFE	35,000 Hours - 5 Year Limited Warranty

NIEVE SERIES ORDERING INFORMATION

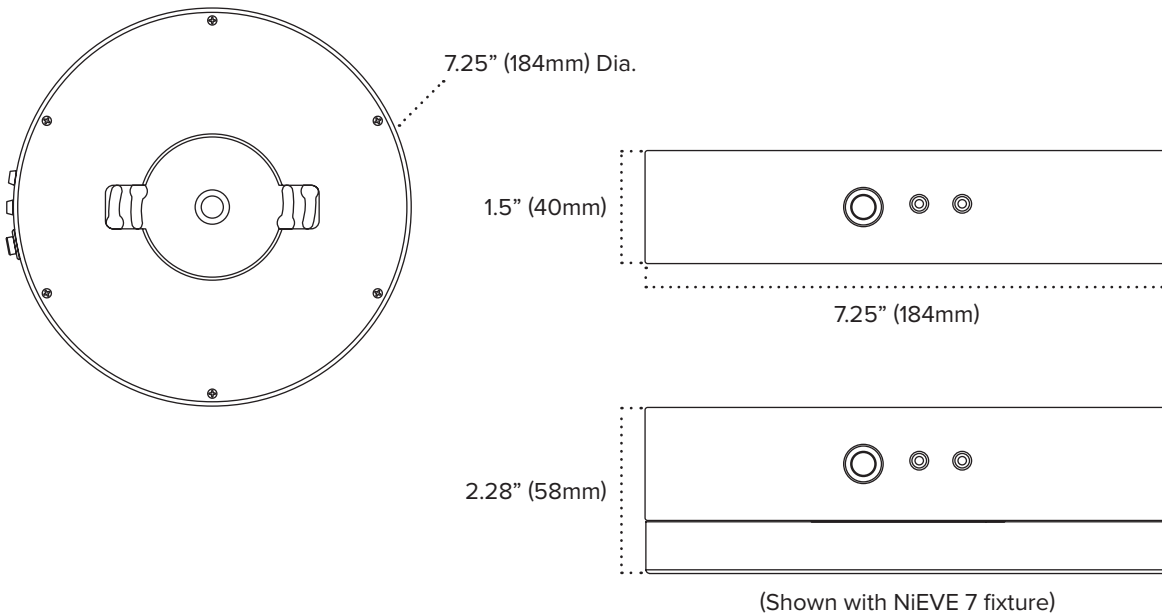
ITEM NUMBER	DESCRIPTION	FINISH	VOLTAGE	CCT	CRI	LUMENS	WATTAGE	DIMMING
NV7-30-WH	NIEVE 7	White	120-227V	3000K	90+	1200Lm	15W	TRIAC / ELV
NV7-0/10V-30-WH	NIEVE 7	White	120-227V	3000K	90+	1200Lm	15W	0-10V
NV7-BB-WH	NIEVE 7 Battery Backup	White	120-227V	N/A	90+	N/A	20W	Non-dimmable

NIEVE SERIES DIMENSIONS

NIEVE 7



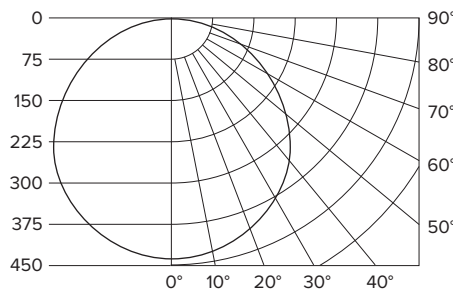
NIEVE 7 BATTERY BACKUP ACCESSORY



NIEVE SERIES PHOTOMETRICS

NIEVE 7

PART NUMBER	NV7-30-WH
BEAM SPREAD	150.2°
LUMENS	1254 Lm
WATTAGE	15W
EFFICACY	83.6 Lm/W
CCT	3000K
CRI	90+



Foot Candles	Distance From Light	Beam Dia.
26.8	4'	30.1'
11.9	6'	45.1'
6.7	8'	60.1'
4.6	10'	75.2'
3.0	12'	90.2'
2.2	14'	105.2'

NIEVE SERIES RECOMMENDED DIMMERS FOR TRIAC/ELV

BRAND	MODEL #	TYPE	DIMMING RANGE
LUTRON	DV-603PG	TRIAC	9% ~ 95%
LEGRAND	DVCL-153P	CL	5% ~ 100%
LEVITON	DV-600P	TRIAC	0% ~ 100%
LUTRON	DVLV-600P	MLV	10% ~ 100%

Dimmer performance may vary in field application due to unknown external factors. Dimmers not included on the chart above are not necessarily incompatible; they have yet to be fully evaluated. Please reference dimmer manufacturer's instructions for more detailed information regarding performance and compatibility. Test data listed above is based on single lamp data.

NIEVE SERIES RECOMMENDED DIMMERS FOR 0/10V

BRAND	MODEL #	TYPE	DIMMING RANGE
LUTRON	RMJS-8T-DV-B	0-10V	5% - 100%
LEGRAND	RH4FBL3PW	0-10V	8% - 100%
LEVITON	IP710-DL	0-10V	8% - 100%
LUTRON	DVSTV-LA	0-10V	8% - 100%

Dimmer performance may vary in field application due to unknown external factors. Dimmers not included on the chart above are not necessarily incompatible; they have yet to be fully evaluated. Please reference dimmer manufacturer's instructions for more detailed information regarding performance and compatibility. Test data listed above is based on single lamp data.

NIEVE SERIES BATTERY BACK-UP DETAILS

Emergency LED Indicator Colors/ Function

- Green: Emergency function working with battery
- Green Flashing: Lighting flashing, no power for the battery, recharging for the battery
- Off: Emergency function is off, the ceiling working with normal power supply

Emergency Battery Indicator Color and Functions

- Red: Battery is charging
- Green: Battery at full charge
- Red Flashing: Check system-possible battery replacement needed or system maintenance required
- Off: Indicates a power outage when the battery backup unit is in emergency mode the LED indicator will be Off
- Minimum Charge Time: 14hours

Test Button

- While main power is on: A quick press of the test button(<3 seconds), simulates the "main power outage" or emergency mode". The light fixture will come in this case. It will be running on battery power.
- While in Emergency Status (mains power outage): Pressing test button for <6 seconds shuts off the unit; press again to turn it back on.