

# SPEKTRUM+ SERIES

## Landscape Lights

Spektrum+ RGBTW landscape light allows you to control your outdoor evenings and set the right ambiance to your patio, balcony, or porch and relax. Brighten up dark paths, create highlights in your landscaping, or create a unique ambiance lighting experience. With easy to install low-voltage operation, achieve outdoor lighting without hassle or hiring a professional.

- RGB + Tunable White (2700K-6000K) and Color Changing
- Control via Spektrum+ Smart app or Smart Switch
- Surface mount and soil mount accessories included
- SJOW 2C (18AWG) power cable
- Adjustable fixture head for directing light
- Perfect for outdoor wall washing or grazing effects
- Available in 3-kit starter pack and add-on fixtures
- Easy to install and expand
- Link up to 8 fixtures from one power supply
- cETLus Listed for wet locations



### SPEKTRUM+ LANDSCAPE LIGHT QUICK SPECS

<b>VOLTAGE</b>	24V DC (Kit includes 24V DC 96W Driver w/100-240V Input)
<b>WATTAGE</b>	10W per fixture
<b>LUMENS</b>	Up to 300Lm per fixture
<b>COLOR/CCT</b>	RGB + Tunable White (2700K-6000K)
<b>CRI</b>	80+
<b>DIMMING</b>	Spektrum+ app (0-100%)*
<b>BEAM ANGLE</b>	120°
<b>OPERATING TEMP</b>	-10°C (14°F) to 50°C (122°F)
<b>CERTIFICATIONS</b>	cETLus Listed - Outdoor Wet Locations, FCC Compliant
<b>RATED LIFE</b>	25,000 Hours

\*Not intended for use with a standard wall switch dimmer. Use only with Spektrum+ Smart App or Spektrum+ Smart Switch control (sold separately)

PROJECT: \_\_\_\_\_

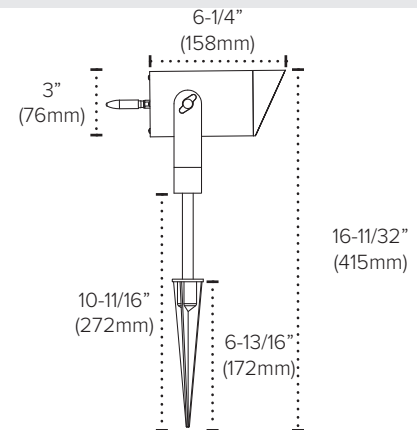
TYPE: \_\_\_\_\_

LOCATION: \_\_\_\_\_

CATALOG NUMBER: \_\_\_\_\_



### SPEKTRUM+ LANDSCAPE LIGHT DIMENSIONS



### SPEKTRUM+ LANDSCAPE LIGHT QUICK SET-UP



Spektrum+ Smart App



Voice Assistant  
(Not Included)



Spektrum+ Smart Hub\*\*  
(Not Included)



Spektrum+ Landscape Light

\*\*Spektrum+ Smart Hub Required for automation features and use with voice assistants

**SPEKTRUM+ LANDSCAPE LIGHT ORDERING INFORMATION**

ITEM NUMBER	DESCRIPTION	FINISH	VOLTAGE	CCT	CRI	LUMENS	WATTAGE	DIMMING
SPKPL-LDS-RGBTW-3KIT-BK	3-Fixture Kit	Black	120-277V AC	RGBTW	80+	300Lm/fixture	10W	App Controlled
SPKPL-LDS-RGBTW-1H-BK	Add-On Fixture	Black	120-277V AC	RGBTW	80+	300Lm	10W	App Controlled

3-Kit Includes: (3) Surface mount brackets, (3) 36" IP68 SJTW AWG18#/2C Jumper Cables, (2) T-connectors, (1) IP67 outdoor rated 24V DC 96W Driver/Adapter with 100-240V input & 36" Lead + 120V Plug + 36" Tail

**SPEKTRUM+ LANDSCAPE LIGHT ACCESSORIES**

ITEM NUMBER	DESCRIPTION
SPKPL-LDS-TCON	T-connector
SPKPL-LDS-JUMP-BK-3FT	3ft Linking Cable
SPKPL-LDS-JUMP-BK-8FT	8Ft Linking Cable
SPKPL-LDS-JUMP-BK-10FT	10Ft Linking Cable
SPKPL-CTRL-W-RGBTW	Spektrum+ Bluetooth® Controller
SPKPL-GTWY*	WiFi to Bluetooth® Smart Hub*



SPKPL-LDS-TCON



SPKPL-LDS-JUMP



SPKPL-CTRL-W-RGBW



SPKPL-GTWY

\*Gateway recommended for use in every Spektrum+ application for full app functionality.

**SPEKTRUM+ LANDSCAPE LIGHT ADDITIONAL NOTES**

A minimum depth of 4" is recommended when burying cable in the lawn to prevent damage from aerators or other lawn plugging equipment. Burying the T-Connectors is not recommended.

**SPEKTRUM+ NOTES**

**CONTROLLING THE FIXTURE:** The attached LED controller/receiver utilizes Bluetooth Wireless Technology and can be controlled via the Spektrum+ Smart Lighting App and/or the Spektrum+ Smart Switch (SPKPL-CTRL-W-RGBTW - sold separately). It is not intended to be used with a standard dimmer switch.

**DISTANCE OF CONTROL CAPABILITY:** 25 meters (approx. 80ft)

**RESET THE DEVICE:** Power the device ON and OFF x 3 times in succession. The device will pulse BLUE once reset and ready to be paired.

**USING THE SPEKTRUM+ SMART LIGHTING APP:** Please follow the Spektrum+ Smart Lighting App guide.

**SPEKTRUM+ SIGNAL ATTENUATION**

All claims related to signal distance are based on clear line of sight. Any obstacles impeding direct line of sight will significantly reduce the effective distance of the product. Increasing density and thickness of obstacles will further decrease the signal distance.

**Material Interference Table**

MATERIAL	POTENTIAL FOR RANGE REDUCTION
Wood	Low
Glass	Low
Brick	Medium
Marble	Medium
Plaster	High
Concrete	High
Metal	Very High

Best practices/troubleshooting tactics include:

- Devices using the same RF band can interfere with each other's communication. Though they cannot communicate directly, they may be able to inject noise into another system. If you experience this, the best practice is move the inadvertent receiver(s)/ transmitter(s) to an alternate location or to place a barrier between the inadvertent receiver(s)/transmitter(s).
- If a receiver must be moved out of sight, make sure that the receiver is not fully enclosed and that the receiver is placed as close to the opening as possible. The signal will be able to be reflected around a corner at reduced strength.
- If an antenna is used, the signal is strongest in directions perpendicular to the direction the antenna is pointing.
- A cellphone camera can be used to test if an IR remote is transmitting a signal. Even through the infrared band is invisible to humans, the cellphone camera will pick up the IR light and display it on the screen as either a red or white light. If pressing a button does not show a light on the cellphone screen, the batteries are most likely dead and need to be replaced.