



LEDVANCE LUMINAIRES WATTAGE SELECTABLE SPORTS LIGHT

LEDVANCE LUMINAIRE SPECIFICATION DATA

Catalog #	Comments
Project	
Type	
Prepared by	

PERFORMANCE CLASS™



APPLICATION

Ideal for illuminating baseball, football, soccer fields, tennis courts, and other sports arenas, these luminaires can be used for large general areas, including high-mast applications as well. Replacing up to 2000W HID lamps, these luminaires offer substantial energy savings and are offered in 3x3, 4x4, and 5x5 flood distributions.

BENEFITS & FEATURES

- ANSI 3G vibration ratings as well as IK08, IP65 ratings, and polycarbonate lens ensure a robust and durable housing
- Powder Coated Black Finish (RAL #9005)
- 10kV surge suppression offers an additional layer of protection and endurance
- Multiple distribution types for all outdoor sporting environments
- Up to 137 LPW
- 5000K CCT Standard (4000K and 5700K available as PTO upon request)
- CRI >70
- Offered in wattage selectable with Max wattage of 400, 500, 750 and 1200 watts
- Energy savings up to 64%



ELECTRICAL

- 277-480V_{AC}/120-277V_{AC}
- Power Factor >0.9
- THD <20%
- 10kV surge protection
- 0-10V dimmable

RATED LIFE

- 150,000 hours (L₇₀)

AMBIENT OPERATING TEMPERATURE

- -40°F to + 112°F (-40°C to + 45°C)

CERTIFICATIONS & LISTINGS

- cULus Wet Rated
- RoHs
- FCC
- IP65, wet location
- IK08
- DLC 5.1 Premium
- ANSI 3G

WARRANTY

- 5 year
- NLB Trusted Warranty Program

INSTALLATION

- All luminaires ship with visor, yoke mount, and laser pointer
- Slipfitter accessory available

WATTAGE COMPARISON

LED SOURCE WATTAGE/LUMENS	REPLACES TRADITIONAL SOURCE	ENERGY SAVINGS
400W/58,000lm	MH	1000W
500W/72,500lm		1000W
750W/108,750lm		1500W
1200W/174,000lm		2x1500W

ORDERING GUIDE

SPORTLT	1A	SXXXX	XXV	D	7	XX	XXX	BL
PRODUCT NAME	GENERATION	WATTAGE	VOLTAGE	DIMMING	CRI	COLOR TEMP	NEMA FLOOD DISTRIBUTION TYPE	COLOR/ FINISH
SPORTLT = Sports Light Luminaire	1A = Generation 1A	S400 = 200/300/400W S500 = 300/400/500W S750 = 450/600/750W S1200 = 800/1000/1200W	HUV = 277-480V UNV = 120-277V	D = 0-10V	7 = >70	40 = 4000K* 50 = 5000K 57 = 5700K*	3X3 = 3x3 4X4 = 4x4 5X5 = 5x5	BL = Black Finish

*Purchase to Order

ORDERING INFORMATION

ITEM NUMBER	ORDERING ABBREVIATION	WATTAGE	VOLTAGE	DIMMING	CRI	CCT	DISTRIBUTION	LUMENS	DLC	LPW	PTO*
HUV (277-480V)											
62661	SPORTLT1AS400HUV7404X4BL	200/300/400	277-480	0-10V	>70	4000K	4x4	29,600/42,000/52,800	5.1 Prm	132	✓
62662	SPORTLT1AS400HUV7405X5BL	200/300/400	277-480	0-10V	>70	4000K	5x5	29,600/42,000/52,800	5.1 Prm	132	✓
62640	SPORTLT1AS400HUV7504X4BL	200/300/400	277-480	0-10V	>70	5000K	4x4	29,600/42,000/52,800	5.1 Prm	132	–
62651	SPORTLT1AS400HUV7505X5BL	200/300/400	277-480	0-10V	>70	5000K	5x5	29,600/42,000/52,800	5.1 Prm	132	–
62645	SPORTLT1AS400HUV7574X4BL	200/300/400	277-480	0-10V	>70	5700K	4x4	29,600/42,000/52,800	5.1 Prm	132	✓
62646	SPORTLT1AS400HUV7575X5BL	200/300/400	277-480	0-10V	>70	5700K	5x5	29,600/42,000/52,800	5.1 Prm	132	✓
62663	SPORTLT1AS500HUV7405X5BL	300/400/500	277-480	0-10V	>70	4000K	5x5	44,400/56,000/66,000	5.1 Prm	132	✓
62643	SPORTLT1AS500HUV7504X4BL	300/400/500	277-480	0-10V	>70	5000K	4x4	44,400/56,000/66,000	5.1 Prm	132	–
62652	SPORTLT1AS500HUV7505X5BL	300/400/500	277-480	0-10V	>70	5000K	5x5	44,400/56,000/66,000	5.1 Prm	132	–
62647	SPORTLT1AS500HUV7575X5BL	300/400/500	277-480	0-10V	>70	5700K	5x5	44,400/56,000/66,000	5.1 Prm	132	✓
62681	SPORTLT1AS750HUV7403X3BL	450/600/750	277-480	0-10V	>70	4000K	3x3	66,600/84,000/101,250	5.1 Prm	137	✓
62682	SPORTLT1AS750HUV7404X4BL	450/600/750	277-480	0-10V	>70	4000K	4x4	66,600/84,000/101,250	5.1 Prm	137	✓
62683	SPORTLT1AS750HUV7405X5BL	450/600/750	277-480	0-10V	>70	4000K	5x5	66,600/84,000/101,250	5.1 Prm	137	✓
62653	SPORTLT1AS750HUV7503X3BL	450/600/750	277-480	0-10V	>70	5000K	3x3	66,600/84,000/101,250	5.1 Prm	137	–
62641	SPORTLT1AS750HUV7504X4BL	450/600/750	277-480	0-10V	>70	5000K	4x4	66,600/84,000/101,250	5.1 Prm	137	–
62654	SPORTLT1AS750HUV7505X5BL	450/600/750	277-480	0-10V	>70	5000K	5x5	66,600/84,000/101,250	5.1 Prm	137	–
62687	SPORTLT1AS750HUV7573X3BL	450/600/750	277-480	0-10V	>70	5700K	3x3	66,600/84,000/101,250	5.1 Prm	137	✓
62688	SPORTLT1AS750HUV7574X4BL	450/600/750	277-480	0-10V	>70	5700K	4x4	66,600/84,000/101,250	5.1 Prm	137	✓
62689	SPORTLT1AS750HUV7575X5BL	450/600/750	277-480	0-10V	>70	5700K	5x5	66,600/84,000/101,250	5.1 Prm	137	✓
62684	SPORTLT1AS1200HUV7403X3BL	800/1000/1200	277-480	0-10V	>70	4000K	3x3	118,400/140,000/162,000	5.1 Prm	137	✓
62685	SPORTLT1AS1200HUV7404X4BL	800/1000/1200	277-480	0-10V	>70	4000K	4x4	118,400/140,000/162,000	5.1 Prm	137	✓
62686	SPORTLT1AS1200HUV7405X5BL	800/1000/1200	277-480	0-10V	>70	4000K	5x5	118,400/140,000/162,000	5.1 Prm	137	✓
62655	SPORTLT1AS1200HUV7503X3BL	800/1000/1200	277-480	0-10V	>70	5000K	3x3	118,400/140,000/162,000	5.1 Prm	137	–
62642	SPORTLT1AS1200HUV7504X4BL	800/1000/1200	277-480	0-10V	>70	5000K	4x4	118,400/140,000/162,000	5.1 Prm	137	–
62656	SPORTLT1AS1200HUV7505X5BL	800/1000/1200	277-480	0-10V	>70	5000K	5x5	118,400/140,000/162,000	5.1 Prm	137	–
62690	SPORTLT1AS1200HUV7573X3BL	800/1000/1200	277-480	0-10V	>70	5700K	3x3	118,400/140,000/162,000	5.1 Prm	137	✓
62691	SPORTLT1AS1200HUV7574X4BL	800/1000/1200	277-480	0-10V	>70	5700K	4x4	118,400/140,000/162,000	5.1 Prm	137	✓
62692	SPORTLT1AS1200HUV7575X5BL	800/1000/1200	277-480	0-10V	>70	5700K	5x5	118,400/140,000/162,000	5.1 Prm	137	✓
UNV (120-277V)											
65870	SPORTLT1AS400UNVD7404X4BL	200/300/400	120-277V	0-10V	>70	4000K	4x4	29,600/42,000/52,800	5.1 Prm.	132	✓
65871	SPORTLT1AS400UNVD7504X4BL	200/300/400	120-277V	0-10V	>70	5000K	4x4	29,600/42,000/52,800	5.1 Prm.	132	–
65872	SPORTLT1AS400UNVD7574X4BL	200/300/400	120-277V	0-10V	>70	5700K	4x4	29,600/42,000/52,800	5.1 Prm.	132	✓
65873	SPORTLT1AS400UNVD7405X5BL	200/300/400	120-277V	0-10V	>70	4000K	5x5	29,600/42,000/52,800	5.1 Prm.	132	✓

* Purchase to Order

ORDERING INFORMATION (CONTINUED)

ITEM NUMBER	ORDERING ABBREVIATION	WATTAGE	VOLTAGE	DIMMING	CRI	CCT	DISTRIBUTION	LUMENS	DLC	LPW	PTO*
65874	SPORTLT1AS400UNVD7505X5BL	200/300/400	120-277V	0-10V	>70	5000K	5x5	29,600/42,000/52,800	5.1 Prm.	132	-
65875	SPORTLT1AS400UNVD7575X5BL	200/300/400	120-277V	0-10V	>70	5700K	5x5	29,600/42,000/52,800	5.1 Prm.	132	✓
62932	SPORTLT1AS500UNVD7504X4BL	300/400/500	120-277V	0-10V	>70	5000K	4x4	44,400/56,000/66,000	5.1 Prm.	132	-
65876	SPORTLT1AS500UNVD7405X5BL	300/400/500	120-277V	0-10V	>70	4000K	5x5	44,400/56,000/66,000	5.1 Prm.	132	✓
62933	SPORTLT1AS500UNVD7505X5BL	300/400/500	120-277V	0-10V	>70	5000K	5x5	44,400/56,000/66,000	5.1 Prm.	132	-
65877	SPORTLT1AS500UNVD7575X5BL	300/400/500	120-277V	0-10V	>70	5700K	5x5	44,400/56,000/66,000	5.1 Prm.	132	✓
65878	SPORTLT1AS750UNVD7403X3BL	450/600/750	120-277V	0-10V	>70	4000K	3x3	66,600/84,000/101,250	5.1 Prm.	135	✓
65879	SPORTLT1AS750UNVD7503X3BL	450/600/750	120-277V	0-10V	>70	5000K	3x3	66,600/84,000/101,250	5.1 Prm.	135	-
65880	SPORTLT1AS750UNVD7573X3BL	450/600/750	120-277V	0-10V	>70	5700K	3x3	66,600/84,000/101,250	5.1 Prm.	135	✓
65881	SPORTLT1AS750UNVD7404X4BL	450/600/750	120-277V	0-10V	>70	4000K	4x4	66,600/84,000/101,250	5.1 Prm.	135	✓
65882	SPORTLT1AS750UNVD7504X4BL	450/600/750	120-277V	0-10V	>70	5000K	4x4	66,600/84,000/101,250	5.1 Prm.	135	-
65883	SPORTLT1AS750UNVD7574X4BL	450/600/750	120-277V	0-10V	>70	5700K	4x4	66,600/84,000/101,250	5.1 Prm.	135	✓
65884	SPORTLT1AS750UNVD7405X5BL	450/600/750	120-277V	0-10V	>70	4000K	5x5	66,600/84,000/101,250	5.1 Prm.	135	✓
65885	SPORTLT1AS750UNVD7505X5BL	450/600/750	120-277V	0-10V	>70	5000K	5x5	66,600/84,000/101,250	5.1 Prm.	135	-
65886	SPORTLT1AS750UNVD7575X5BL	450/600/750	120-277V	0-10V	>70	5700K	5x5	66,600/84,000/101,250	5.1 Prm.	135	✓
65887	SPORTLT1AS1200UNVD7403X3BL	800/1000/1200	120-277V	0-10V	>70	4000K	3x3	118,400/140,000/162,000	5.1 Prm.	135	✓
65888	SPORTLT1AS1200UNVD7503X3BL	800/1000/1200	120-277V	0-10V	>70	5000K	3x3	118,400/140,000/162,000	5.1 Prm.	135	-
65889	SPORTLT1AS1200UNVD7573X3BL	800/1000/1200	120-277V	0-10V	>70	5700K	3x3	118,400/140,000/162,000	5.1 Prm.	135	✓
65890	SPORTLT1AS1200UNVD7404X4BL	800/1000/1200	120-277V	0-10V	>70	4000K	4x4	118,400/140,000/162,000	5.1 Prm.	135	✓
65891	SPORTLT1AS1200UNVD7504X4BL	800/1000/1200	120-277V	0-10V	>70	5000K	4x4	118,400/140,000/162,000	5.1 Prm.	135	-
65892	SPORTLT1AS1200UNVD7574X4BL	800/1000/1200	120-277V	0-10V	>70	5700K	4x4	118,400/140,000/162,000	5.1 Prm.	135	✓
65893	SPORTLT1AS1200UNVD7405X5BL	800/1000/1200	120-277V	0-10V	>70	4000K	5x5	118,400/140,000/162,000	5.1 Prm.	135	✓
65894	SPORTLT1AS1200UNVD7505X5BL	800/1000/1200	120-277V	0-10V	>70	5000K	5x5	118,400/140,000/162,000	5.1 Prm.	135	-
65895	SPORTLT1AS1200UNVD7575X5BL	800/1000/1200	120-277V	0-10V	>70	5700K	5x5	118,400/140,000/162,000	5.1 Prm.	135	✓

* Purchase to Order

ACCESSORIES

ITEM #	ORDERING ABBREVIATION	ITEM DESCRIPTION
Slip Fitters		
63422	SPORTLT1A/SLIPFITTER/BL/SM	Small Slipfitter, Black (400/500W)
63423	SPORTLT1A/SLIPFITTER/BL/MED	Medium Slipfitter, Black (750W)
63424	SPORTLT1A/SLIPFITTER/BL/LRG	Large Slipfitter, Black (1200W)
Laser pointer		
63222	SPORTLT1A/LASERPOINTER	Laser Pointer (included in the box)

Slip Fitter for 400-500W



Slip Fitter for 750-1200W



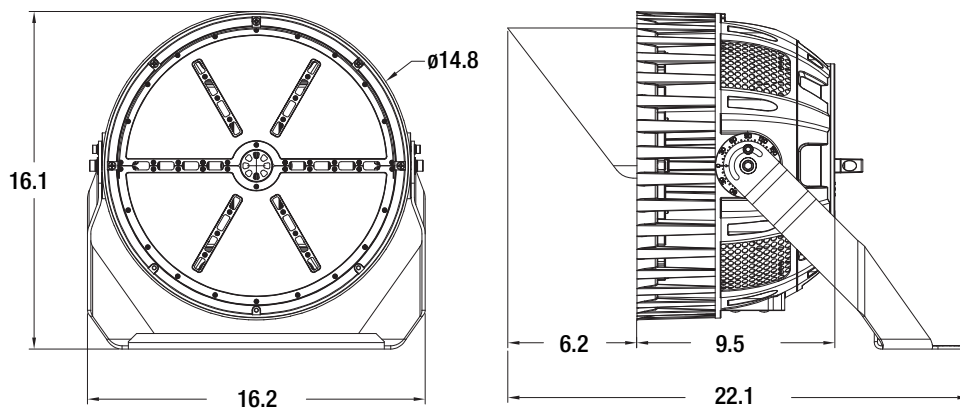
Laser Pointer (already included inside the box)



PHYSICAL INFORMATION

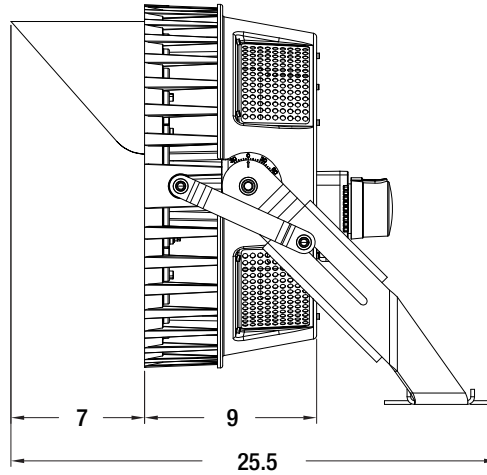
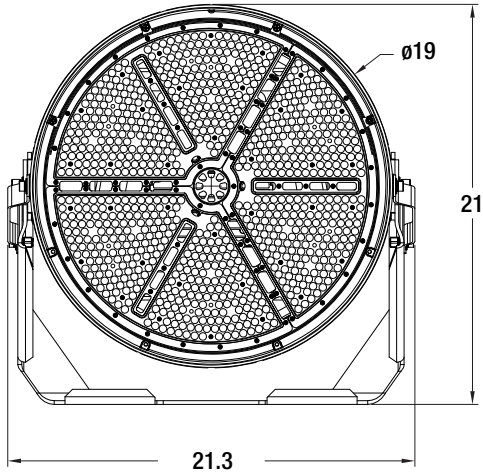
LUMINAIRE DESCRIPTION	LENGTH (INCHES)	WIDTH (INCHES)	HEIGHT (INCHES)	WEIGHT (LB)	EPA	CORD LENGTH
400/500W	16.2	15.9	16.1	33	1.6	1150mm/3.75'
750W	21.3	18.5	21	51	2.4	1150mm/3.75'
1200W	22.8	19.8	22.5	75	3.1	1150mm/3.75'

400-500W

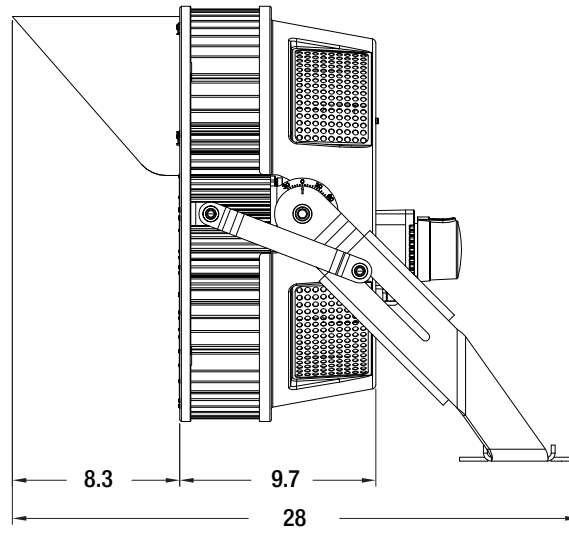
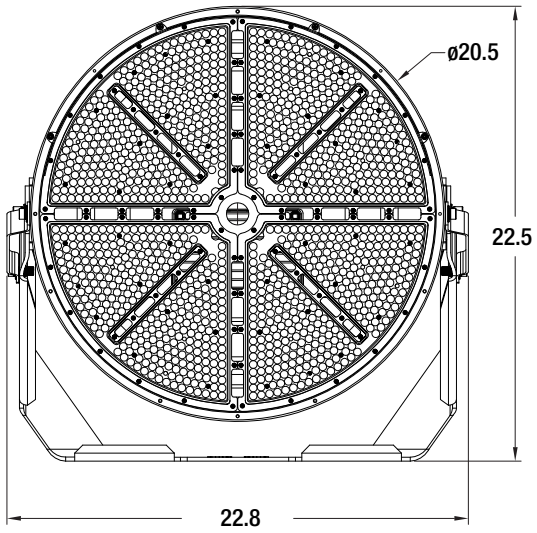


PHYSICAL INFORMATION (CONTINUED)

750W



1200W

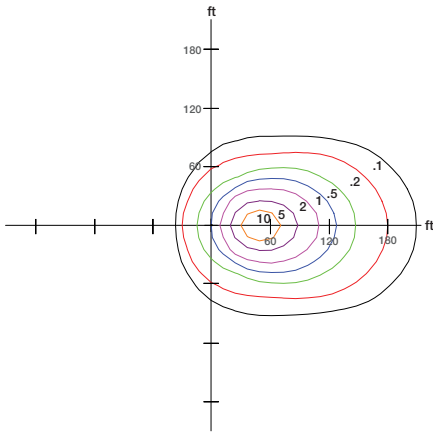


Dimensions in inches

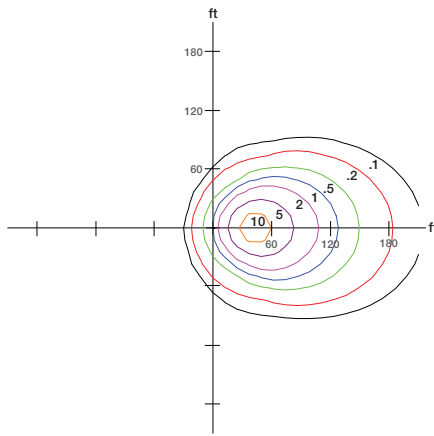
PHOTOMETRIC INFORMATION

HORIZONTAL ISO FOOT-CANDLE PLOT

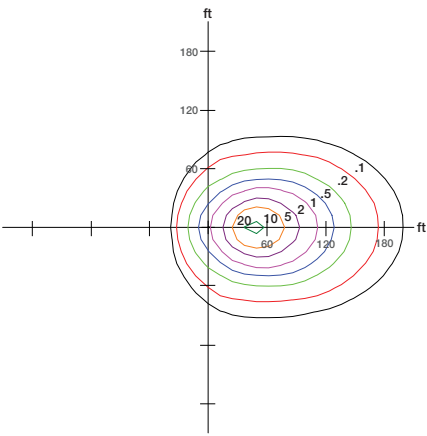
400W luminaire, 4x4 distribution, tilted 45°, mounted at 60' height



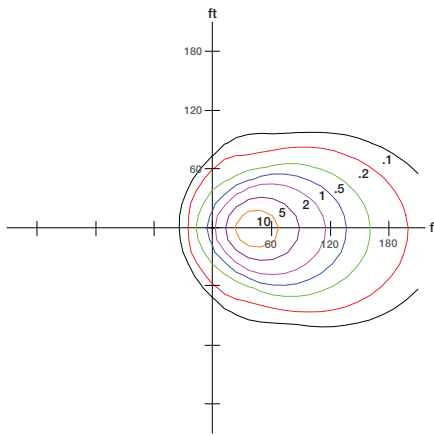
400W luminaire, 5x5 distribution, tilted 45°, mounted at 60' height



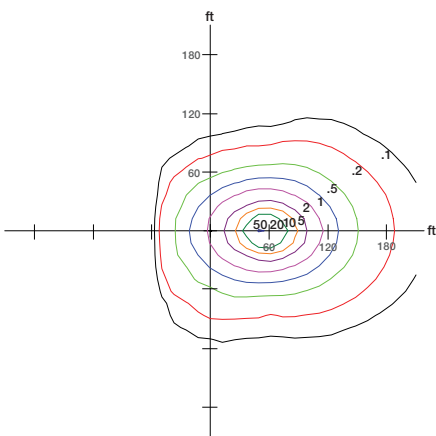
500W luminaire, 4x4 distribution, tilted 45°, mounted at 60' height



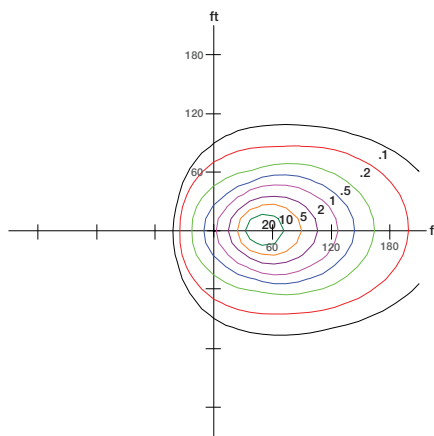
500W luminaire, 5x5 distribution, tilted 45°, mounted at 60' height



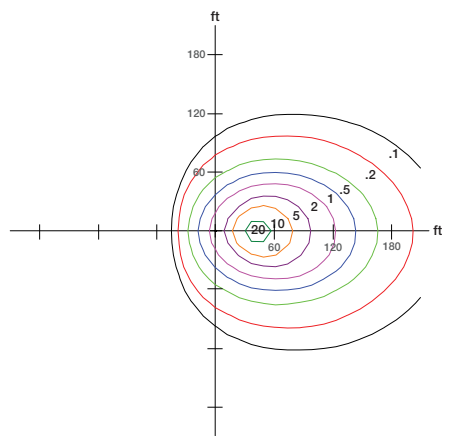
750W luminaire, 3x3 distribution, tilted 45°, mounted at 60' height



750W luminaire, 4x4 distribution, tilted 45°, mounted at 60' height

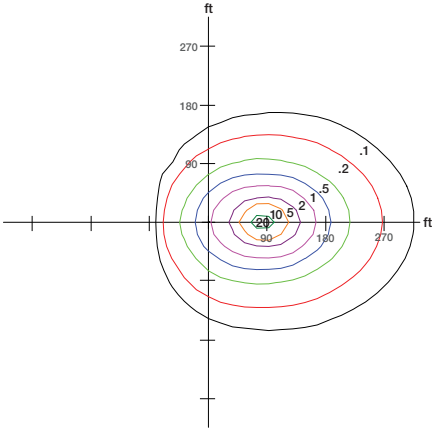


750W luminaire, 5x5 distribution, tilted 45°, mounted at 60' height

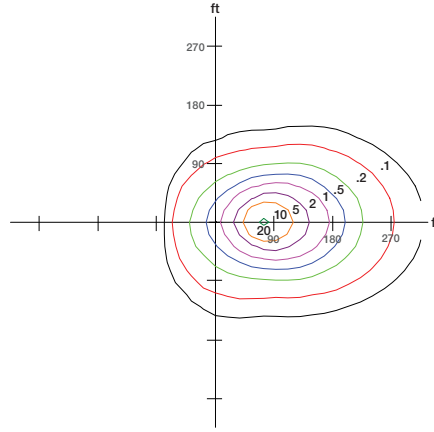


PHOTOMETRIC INFORMATION (CONTINUED)

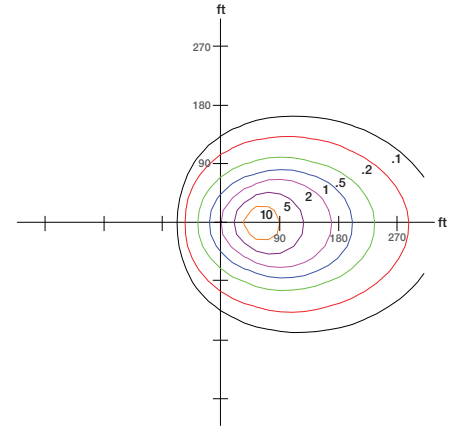
1200W luminaire, 3x3 distribution, tilted 45°, mounted at 90' height



1200W luminaire, 4x4 distribution, tilted 45°, mounted at 90' height



1200W luminaire, 5x5 distribution, tilted 45°, mounted at 90' height



MOUNTING HEIGHT (FT)	45	50	55	60	65	70
MULTIPLIER	1.78	1.44	1.19	1	0.85	0.73

MOUNTING HEIGHT (FT)	75	80	85	90	95	100
MULTIPLIER	1.44	1.27	1.12	1	0.9	0.81

- Multiply the footcandle levels in the diagram according to the desired installation height
- Each tick on the diagram represents a multiple of the mounting height from the fixture



LEDVANCE LLC
181 Ballardvale Street, Suite 203
Wilmington, MA 01887 USA
Phone 1-800-LIGHTBULB (1-800-544-4828)
www.ledvanceUS.com

LEDVANCE is a registered trademark. All other trademarks are those of their respective owners. Specifications subject to change without notice.



SCAN TO FOLLOW US
ON SOCIAL MEDIA