

LEDVANCE Luminaires

DUAL SELECTABLE RETROFIT DOOR KIT 6A

VALUE CLASS

Application

The Retrofit Door Kit 6A is offered in three sizes (1'x4', 2'x2', and 2'x4') and is ideal for illuminating offices, retail spaces, hallways, healthcare applications, multipurpose rooms and hospitality areas. The Door Kits can be used to retrofit existing troffers to modern, more energy efficient LED lighting.

Benefits and Features

- Lumen and CCT selectability offer the ultimate in versatility for a large variety of applications and installations
 - 1x4: 20/24/28/32 wattage selectable
 - 2x2: 20/24/28/32 wattage selectable
 - 2x4: 24/32/39/44 wattage selectable
 - 2x4: 49/59/69 wattage selectable
- All versions are 3500/4000/5000K CCT Selectable
- Sensor base built into each fixture enables the simple field installation of optional PIR motion sensors
- Up to 125 LPW
- DLC 5.1
- Ideal in retrofit applications, offering up to 51% energy savings
- Driver includes 12V auxiliary output
- Compatible with field installable LINK™ components

Electrical

- 120-347V
- 0-10V Dimming
- 2.5kV Surge Protection
- Power Factor >90%
- THD <20%
- UL Damp Rated

Rated Life

- 150,000 hours (L₇₀)

Warranty

- 5-year
- NLB Trusted Warranty Program

Ambient Operating Range

- -4°F to +104°F (-20°C to +40°C)



Wattage Comparison

Traditional Source	Traditional System Wattage	LED System Wattage	Energy Savings	Fixture Size
1x32 T8	28	20	29%	1x4; 2x2
2x28W T8	49	24	51%	1x4; 2x2; 2x4
2x32W T8	56	28	50%	1x4; 2x2
2x32W T8	56	32	43%	1x4; 2x2; 2x4
3x28W T8	64	39	39%	2x4
3x32W T8	75	39	48%	2x4
3x32W T8	75	44	41%	2x4
2x54W T5	87	49	44%	2x4
4x28W T8	97	59	32%	2x4
2x54W T5	87	49	44%	2x4
4x28W T8	97	59	38%	2x4
4x28W T8	97	69	29%	2x4
4-lamp 32T8	112	69	38%	2x4

Certifications and Listings

- cULus
- RoHS
- FCC
- DLC 5.1

Unique Selling Points

- Dual selectable
- Field installable PIR Motion Sensors
- 120-347V operating voltage range
- 12V Aux output

Installation

- Retrofit luminaire is designed to be installed in existing troffers



Specification Data

Catalog #	Type
Project	
Comments	
Prepared by	

Ordering Guide

RDORKIT	6A	/ S0XX	UNH	D	8	SC7	/ XX	U	/ WH	/ E
Product Name	Generation	Selectable Wattage	Input Voltage	Dimming	CRI	Selectable CCT	Size	Mounting	Color	Optional
Retrofit Door Kit	6A = Generation 6A	S032 = 20/24/28/32W S044 = 24/32/39/44W S069 = 49/59/69W	UNH = 120-347V	D = 0-10V dimming	8 = 80+	SC7 = 3500/4000/ 5000K	14 = 1x4 22 = 2x2 24 = 2x4	U=15/16" and 9/16" T-grid ceilings	WH = White	Emergency Battery Back-up

Ordering Information

Item Number	Ordering Abbreviation	Dimensions	Wattage (W)	Lumen Selection	CCT Selection	CRI	Voltage	LPW	Dimming	DLC	Options
62527	RDORKIT6A/S032UNHD8SC7/14U/WH	1x4	20/24/28/32	2500/3000/ 3500/4000	3500/4000/ 5000K	>80	120-347V	125	0-10V	5.1	–
62831	RDORKIT6A/S032UNHD8SC7/14U/WH/E	1x4	20/24/28/32	2500/3000/ 3500/4000	3500/4000/ 5000K	>80	120-347V	125	0-10V	5.1	Emergency Battery Back-up*
62528	RDORKIT6A/S032UNHD8SC7/22U/WH	2x2	20/24/28/32	2500/3000/ 3500/4000	3500/4000/ 5000K	>80	120-347V	125	0-10V	5.1	–
62832	RDORKIT6A/S032UNHD8SC7/22U/WH/E	2x2	20/24/28/32	2500/3000/ 3500/4000	3500/4000/ 5000K	>80	120-347V	125	0-10V	5.1	Emergency Battery Back-up*
62529	RDORKIT6A/S044UNHD8SC7/24U/WH	2x4	24/32/39/44	3000/4000/ 4875/5500	3500/4000/ 5000K	>80	120-347V	125	0-10V	5.1	–
62833	RDORKIT6A/S044UNHD8SC7/24U/WH/E	2x4	24/32/39/44	3000/4000/ 4875/5500	3500/4000/ 5000K	>80	120-347V	125	0-10V	5.1	Emergency Battery Back-up*
62530	RDORKIT6A/S069UNHD8SC7/24U/WH	2x4	49/59/69	5625/7375/8625	3500/4000/ 5000K	>80	120-347V	125	0-10V	5.1	–
62834	RDORKIT6A/S069UNHD8SC7/24U/WH/E	2x4	49/59/69	5625/7375/8625	3500/4000/ 5000K	>80	120-347V	125	0-10V	5.1	Emergency Battery Back-up*

* = EMBB provides 1000 lumens for a period of at least 90 minutes.

Accessories

Item Number	Ordering Abbreviation	Description
62711	VOLUME/PIR/MOTIONDAYSENSOR1*	Field installable PIR Motion/Daylight Sensor
65305	STRIP2A/REMOTE	Remote with screen for PIR Sensor

*Sensor default settings can only be changed with optional remote 65305

Default sensor settings*

Detection Area: 100%

Hold Time: 5 Minutes

Daylight Threshold: 50 Lux

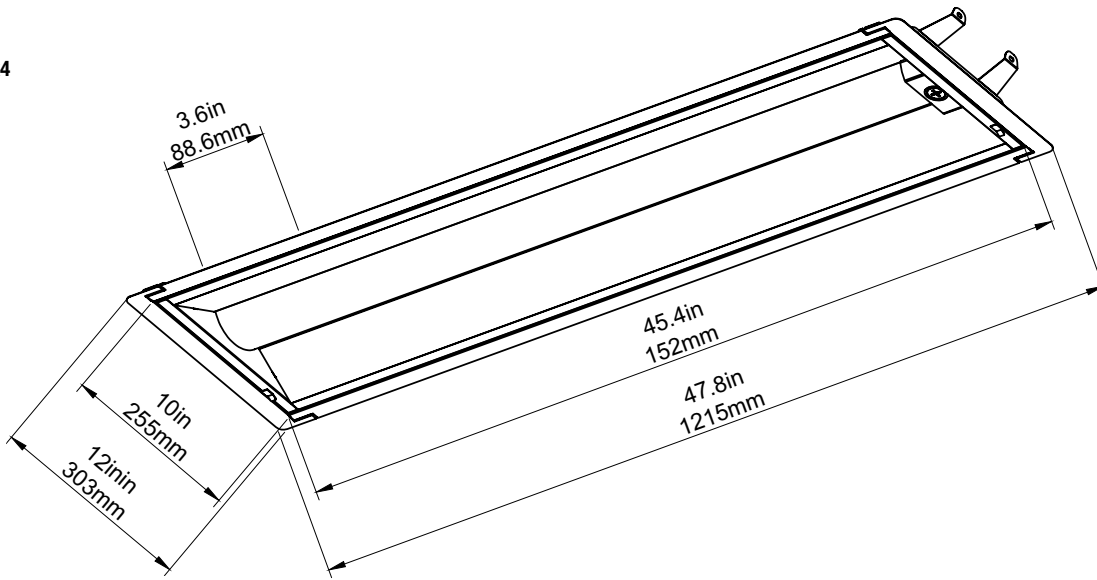
Stand-by Period: 30 Minutes

Stand-by Dimming: 30%

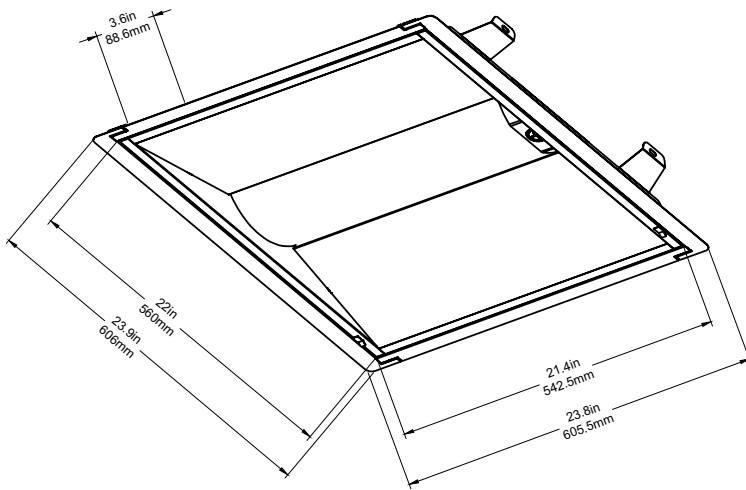
*Note: Sensor default settings can only be achieved using the optional remote – NAED 65305

Physical Information

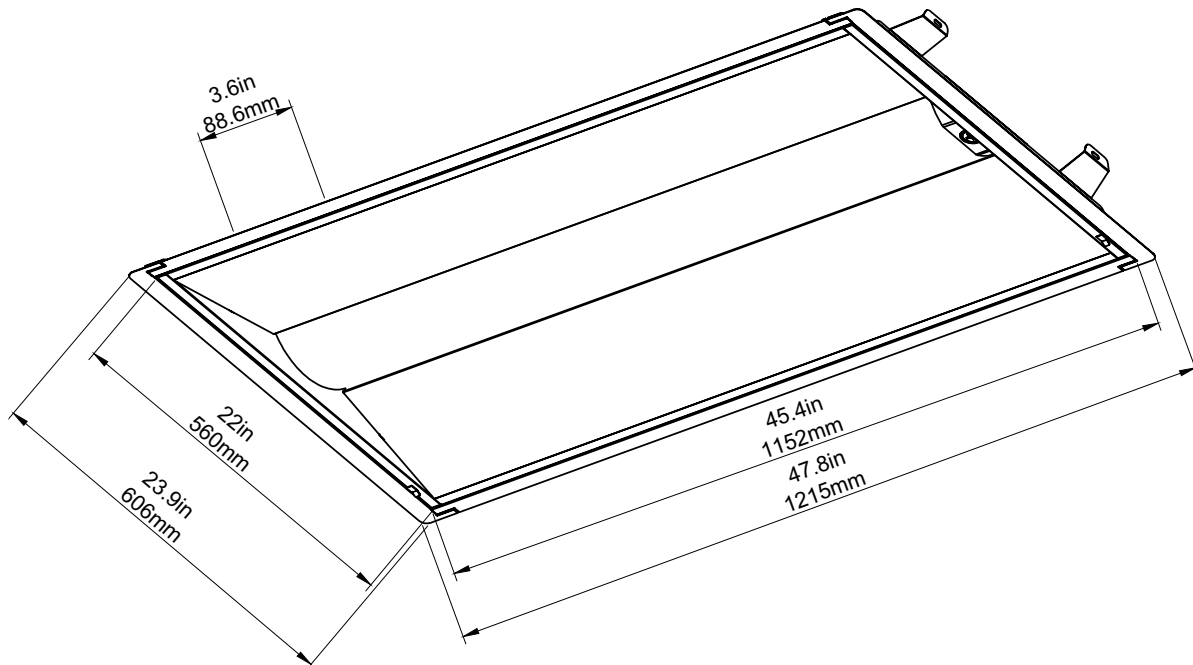
1x4



2x2



2x4



Optional LEDVANCE LINK™ Accessories

Field Installable components compatible with Volumetric 6A Troffer



LINK Wireless Control



62631

OR



62632

+



62633

Bluetooth Connectivity

Bluetooth Connectivity Plus Daylight/Motion Sensors

Benefits and Features

- The LEDVANCE LINK Bluetooth Mesh field installable components allows for 6A Volumetric Troffers to become Bluetooth Mesh enabled and be controlled via the LEDVANCE LINK app or LEDVANCE LINK Wireless Wall Switch
- The LEDVANCE LINK Controller (62631) or Powerpack (62632) must be installed inside the fixture driver box or in a ½" knockout
- The Ceiling Sensor (62633), paired with the 62632 Powerpack, must be installed in a ceiling panel near the 6A Volumetric Troffer
- Control using either the LEDVANCE LINK smart phone app or the wireless wall switch (62636)

Ordering Information

Item Number	Ordering Abbreviation	Description
62631	POWERPACKOUT/2.5AUNV/BLE	Bluetooth Mesh Line Voltage Controller
62632	POWERADAPTSSENSOROUT/12V/UNV	Line Voltage Fixture Powerpack/Controller with 12VDC AUX
62633	SENSORCEILING/PIR12V/BLE	Bluetooth Mesh Low Voltage Ceiling Sensor & Controller
62636	WALLSWITCH5KEYBLE	Bluetooth Mesh Low Voltage 5 Button Switch

Click or scan QR code for more information on LEDVANCE LINK



COMMISSIONING GUIDE



62631



62632 + 62633



62636



LEDVANCE LLC
181 Ballardvale Street, Suite 203
Wilmington, MA 01887 USA
Phone 1-800-LIGHTBULB (1-800-544-4828)
www.ledvanceUS.com

LEDVANCE is a registered trademark. All other trademarks are those of their respective owners. Specifications subject to change without notice.



SCAN TO FOLLOW US ON SOCIAL MEDIA

