

LEDVANCE LINK

BLUETOOTH® MESH ENABLED CONNECTED RETROFIT DOOR KIT

PERFORMANCE CLASS

Application

The LEDVANCE Bluetooth LED Retrofit Door Kit 7A series is a versatile and economical solution for retrofitting fluorescent troffer lighting in offices, schools, hospitality, healthcare and commercial areas. These retrofit kits feature built in Bluetooth connectivity and can be controlled using a mobile app or an optional wireless wall switch. They also can work seamlessly with a field installable PIR motion sensor allowing for overall advanced fixture control including occupancy sensing, daylight harvesting, remote setting of dimming levels, group dimming, and schedule settings.

Benefits and Features

- Retrofit kits deliver volumetric lighting and are available in sizes to retrofit 1x4, 2x2, and 2x4 fluorescent troffers
- Connected – Bluetooth Mesh 4.2 gateway free offers a stable connection and a range of up to 100ft between connected luminaires
- Easy to deploy – install, commission, and control
- Convenient – control via smart phone app or mobile wireless wall/remote switch
- The optional LEDVANCE LINK™ PIR motion/daylight sensor is easily field installed and adds occupancy and daylight harvesting capabilities that can be set using the smart phone app
- DLC 5.1 listing maximizes rebate opportunities
- Up to 125 LPW
- 3000, 3500, 4000, or 5000K color temperatures and light levels can be adjusted via a mobile app or a wireless wall switch
- Optional emergency battery back-up versions
- CRI >80
- Flexible Grouping and Zoning: Wirelessly group luminaires to act in sync with each other
- Scene Control: Preset various scenes for individual or group of luminaires using the phone app
- QR Code for Admin/Guest Control: Using the LEDVANCE LINK™ app, Admin and Guest QR codes for each zone can be generated. Allows copying the settings to other phone by scanning this QR code
- Safe & Secure: UL1376 Gold Security Level 3 ensures cybersecurity capabilities. Gateway-free (no Internet or LAN network connection needed) and no passwords



- Allows setting time-based schedules and high-end trim through the LEDVANCE LINK™ smart phone app

Electrical

- 120-277VAC
- Power Factor >0.9
- THD <20%
- UL Damp rated

Rated Life

- 125,000 hours (L₇₀)

Warranty

- 5-year
- NLB Trusted Warranty Program

Ambient Operating Range

- -4°F to +122°F (-20°C to +50°C)



LEDLUM165R3 4-24

Catalog #	Type
Project	
Comments	
Prepared by	

Wattage Comparison

Fixture Size	Traditional Source	Traditional System Wattage	LED System Wattage	Energy Savings
1x4	2-lamp 28T8	49	30	39%
	2-lamp 32T8	56	30	46%
2x2	3-lamp 17T8	48	35	27%
	2-Ulamp 31T8	56	35	38%
	2-lamp 28T8	49	35	29%
2x4	2-lamp 32T8	56	35	38%
	3-lamp 32T8	75	35	53%
	3-lamp 28T8	64	35	45%
	3-lamp 32T8	75	40	47%
	3-lamp 28T8	64	40	38%
	3-lamp 32T8	75	45	40%
	4-lamp 28T8	97	45	54%
	4-lamp 32T8	112	45	60%

Certifications and Listings

- cULus
- RoHS
- FCC
- DLC 5.1 Premium


Installation

Retrofit kits are designed to be installed in existing troffer housings.

Ordering Guide

RDORKIT	7A	/	SOXX	UNV	D	8	SC8	/	XX	BLE	/	XXX
Product Name	Generation		Selectable Wattage	Voltage	Dimming	CRI	Color Temp		Dimensions	Controls Option		Option
RDORKIT = Retrofit Door Kit	7A = Generation 7A		030 = 15/20/ 23/30W 045 = 25/35/ 40/45W	UNV = 120-277V	Bluetooth	8 = >80	SC8 = 3000/3500/ 4000/5000K		14 = 1x4 22 = 2x2 24 = 2x4	BLE = Compatible with Bluetooth mesh		E = Emergency Back-up Battery

Ordering Information

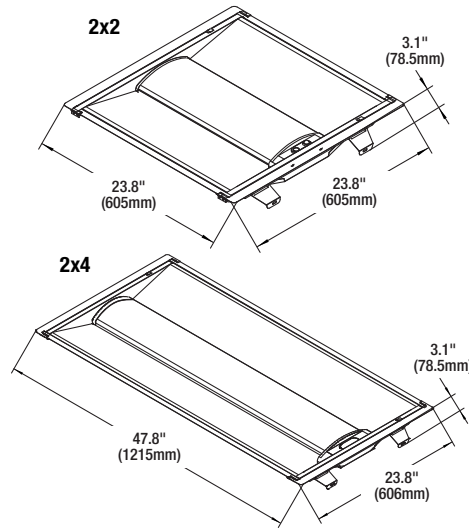
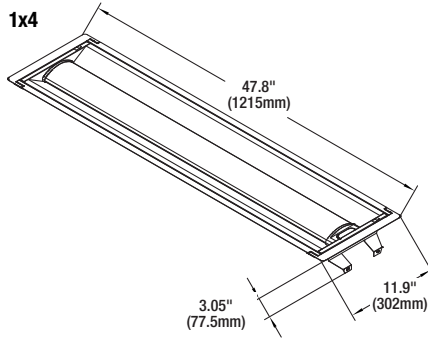
Item Number	Ordering Abbreviation	Power (W)	Input Voltage (V)	CRI	Color Temp (CCT)	Dimensions	Total Fixture Lumens (lm)	LPW	DLC	Options	 MTO*
62571	RDORKIT7A/S030UNVD8SC8/14/BLE	15/20/ 25/30	120-277	>80	3000/3500/ 4000/5000K	1x4	Up to 3810	125	5.1 Prm	–	–
62572	RDORKIT7A/S030UNVD8SC8/22/BLE	15/20/ 25/30	120-277	>80	3000/3500/ 4000/5000K	2x2	Up to 3810	125	5.1 Prm	–	–
62573	RDORKIT7A/S045UNVD8SC8/24/BLE	25/35/ 40/45	120-277	>80	3000/3500/ 4000/5000K	2x4	Up to 5715	125	5.1 Prm	–	–
62838	RDORKIT7A/S030UNVD8SC8/14/BLEE	15/20/ 25/30	120-277	>80	3000/3500/ 4000/5000K	1x4	Up to 3810	125	5.1 Prm	Emergency Back-up Battery**	MTO
62839	RDORKIT7A/S030UNVD8SC8/22/BLEE	15/20/ 25/30	120-277	>80	3000/3500/ 4000/5000K	2x2	Up to 3810	125	5.1 Prm	Emergency Back-up Battery**	MTO
62840	RDORKIT7A/S045UNVD8SC8/24/BLEE	25/35/ 40/45	120-277	>80	3000/3500/ 4000/5000K	2x4	Up to 5715	125	5.1 Prm	Emergency Back-up Battery**	MTO

*Made To Order

**8-Watt Emergency Back-up Battery provides 1000 lumens for 90 mins.

Physical Information

Luminaire Description	(A) Length (in)	(B) Width (in)	(C) Height (in)
RDORKIT7A 1x4	47.8	11.9	3.05
RDORKIT7A 2x2	23.8	23.8	3.1
RDORKIT7A 2x4	47.8	23.8	3.1



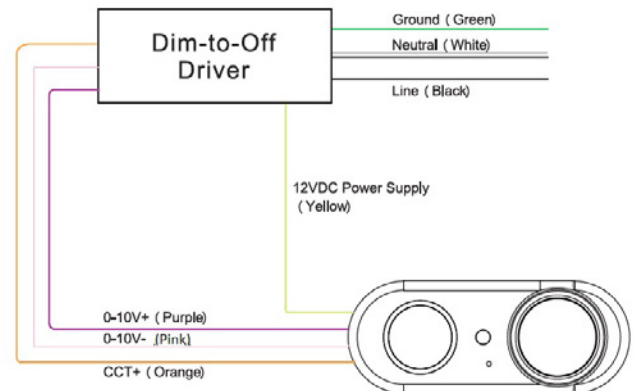
Accessories

Item Number	Ordering Abbreviation	Item Description
62636	WALLSWITCH/5KEYBLE	Bluetooth Mesh Low Voltage 5 Button Switch
65785	ECOSENSOR/PIR/AUX12V	Low Voltage Plug&Play Sensor

Specifications

Input Voltage	12Vdc
Input Current	10mA
Dimming	0-10V
Detection Range	48ft Max.
Mounting Height	15ft Max.
IP 20 Rating	Damp locations
Operating Temperature	40°F to +131°F (-40°C to +55°C)

Wiring Diagram



Sensor



With Sensor



Without Sensor

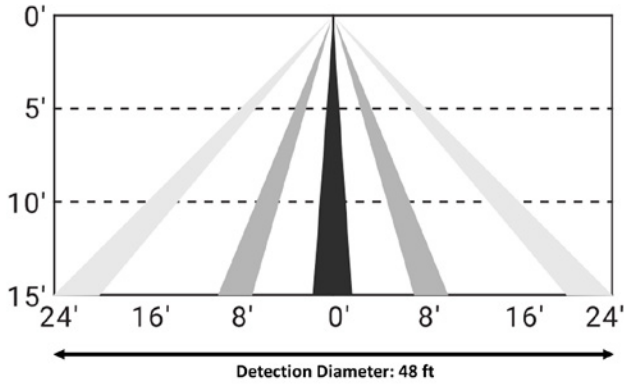


Wireless Switch

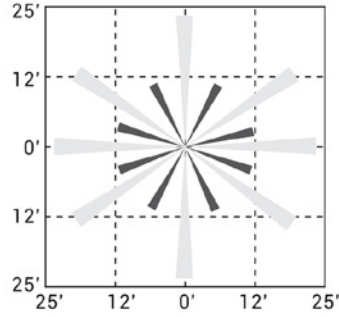


Sensor Coverage

Sensor Side View



Sensor Top View



Commissioning Guide



LEDVANCE LLC
181 Ballardvale Street, Suite 203
Wilmington, MA 01887 USA
Phone 1-800-LIGHTBULB (1-800-544-4828)
www.ledvanceUS.com

LEDVANCE is a registered trademark. The Bluetooth® word mark and logos are registered trademarks owned by the Bluetooth SIG, Inc. and any use of such marks by LEDVANCE LLC is under license. All other trademarks are those of their respective owners. Specifications subject to change without notice.



SCAN TO FOLLOW US
ON SOCIAL MEDIA

