

LEDVANCE LINK

BLUETOOTH® MESH ENABLED CONNECTED TROFFER

PERFORMANCE CLASS

Application

LEDVANCE Bluetooth® LED Volumetric 7A Troffers are versatile and economical solutions for general purpose lighting in offices, schools, hospitality, healthcare and commercial areas. These fixtures feature built-in Bluetooth connectivity and can be controlled using a mobile app or an optional wireless wall switch. The fixtures also work seamlessly with a field installable PIR motion sensor allowing for overall advanced fixture control including occupancy sensing, daylight harvesting, remote setting of dimming levels, group dimming, and schedule settings.



Benefits and Features

- Volumetric lighting available in 1x4, 2x2, and 2x4 configurations
- Built-in Bluetooth® connectivity
- DLC 5.1 listing maximizes rebate opportunities
- The optional LEDVANCE LINK™ PIR motion/daylight sensor is easily field installed and adds occupancy and daylight harvesting capabilities that can be set using the smart phone app
- Up to 125 LPW
- 3000, 3500, 4000, or 5000K color temperatures and light levels can be adjusted via a mobile app or a wireless wall switch
- Optional emergency battery back-up versions
- Optional flange kits and surface mounting kits available
- CRI >80
- Flexible Grouping and Zoning: Wirelessly group luminaires to act in sync with each other
- Scene Control: Preset various scenes for individual or group of luminaires using the phone app
- QR Code for Admin/Guest Control: Using the LEDVANCE LINK™ app, Admin and Guest QR codes for each zone can be generated. Allows copying the settings to other phone by scanning this QR code
- Safe & Secure: UL1376 Gold Security Level 3 ensures cybersecurity capabilities. Gateway-free (no Internet or LAN network connection needed) and no passwords
- Allows setting time-based schedules and high-end trim through the LEDVANCE LINK™ smart phone app



Electrical

- 120-277V_{AC}
- Power Factor >0.9
- THD <20%
- UL Damp rated

Rated Life

- 125,000 hours (L₇₀)

Warranty

- 5-year
- NLB Trusted Warranty Program

Ambient Operating Range

- -4°F to +122°F (-20°C to +50°C)



Catalog #	Type
Project	
Comments	
Prepared by	

Wattage Comparison

Fixture Size	Traditional Source	Traditional System Wattage	LED System Wattage	Energy Savings
1x4	2-lamp 28T8	49	30	39%
	2-lamp 32T8	56	30	46%
2x2	3-lamp 17T8	48	35	27%
	2-Ulamp 31T8	56	35	38%
	2-lamp 28T8	49	35	29%
2x4	2-lamp 32T8	56	35	38%
	3-lamp 32T8	75	35	53%
	3-lamp 28T8	64	35	45%
	3-lamp 32T8	75	40	47%
	3-lamp 28T8	64	40	38%
	3-lamp 32T8	75	45	40%
	4-lamp 28T8	97	45	54%
	4-lamp 32T8	112	45	60%

Certifications and Listings

- cULus
- RoHS
- FCC
- DLC 5.1 Premium


Installation

Intended for recessed or surface mounting (see Accessories section for further information).

Ordering Guide

VOLUME	7A	/ S0XX	UNV	D	8	SC8	/ XX	/ BLE	/ XXX
Product Name	Generation	Selectable	Voltage	Dimming	CRI	Color Temp	Dimensions	Controls Option	Option
VOLUME =	7A = Generation 7A	Wattage	UNV = 120-277V	Bluetooth	8 = >80	SC8 = 3000/3500/ 4000/5000K	14 = 1x4 22 = 2x2 24 = 2x4	BLE = Compatible with Bluetooth mesh	E = Emergency Back-up Battery
Volumetric Troffer		030 = 15/20/ 25/30W 035 = 18/25/ 30/35W 045 = 23/35/ 40/45W							

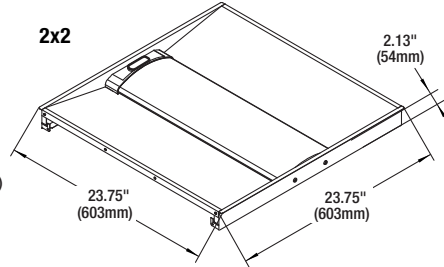
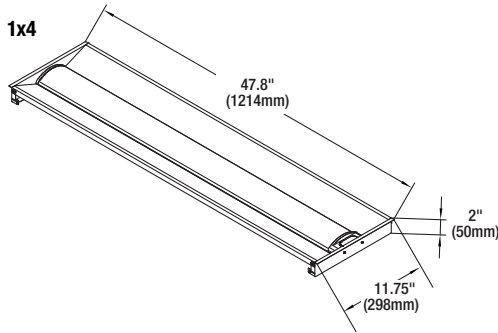
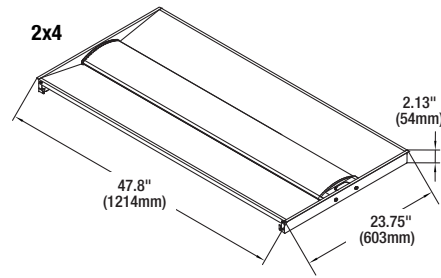
Ordering Information

Item Number	Ordering Abbreviation	Power (W)	Input Voltage (V)	CRI	Color Temp (CCT)	Dimensions	Total Fixture Lumens (lm)	LPW	DLC	Options	 MTO*
62568	VOLUME7A/S030UNVD8SC8/14/BLE	15/20 25/30	120-277	>80	3000/3500/ 4000/5000K	1x4	Up to 3810	125	5.1 Prr	—	—
62569	VOLUME7A/S035UNVD8SC8/22/BLE	18/25/ 30/35	120-277	>80	3000/3500/ 4000/5000K	2x2	Up to 4445	125	5.1 Prr	—	—
62570	VOLUME7A/S045UNVD8SC8/24/BLE	23/35/ 40/45	120-277	>80	3000/3500/ 4000/5000K	2x4	Up to 5715	125	5.1 Prr	—	—
62835	VOLUME7A/S030UNVD8SC8/14/BLE/E	15/20 25/30	120-277	>80	3000/3500/ 4000/5000K	1x4	Up to 3810	125	5.1 Prr	Emergency Back-up Battery**	MTO
62836	VOLUME7A/S035UNVD8SC8/22/BLE/E	18/25/ 30/35	120-277	>80	3000/3500/ 4000/5000K	2x2	Up to 4445	125	5.1 Prr	Emergency Back-up Battery**	MTO
62837	VOLUME7A/S045UNVD8SC8/24/BLE/E	23/35/ 40/45	120-277	>80	3000/3500/ 4000/5000K	2x4	Up to 5715	125	5.1 Prr	Emergency Back-up Battery**	MTO

*Made To Order
**8-Watt Emergency Back-up Battery provides 1000 lumens for 90 mins.

Physical Information

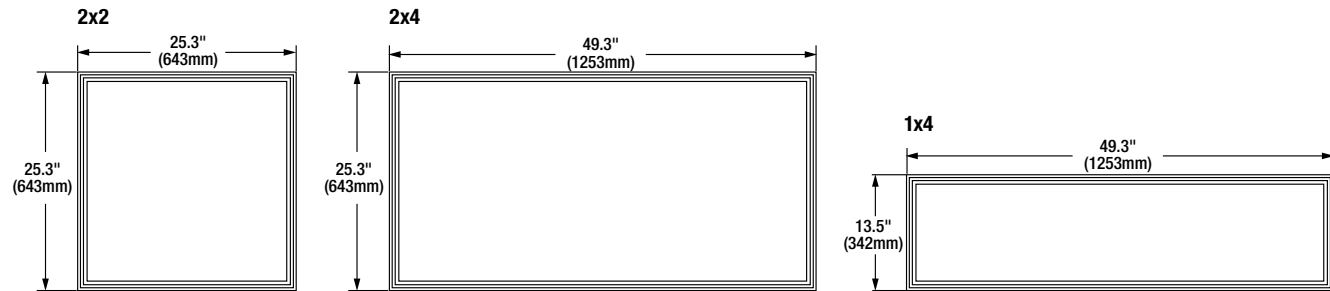
Luminaire Description	(A) Length (in)	(B) Width (in)	(C) Height (in)
VOLUME7A 1x4	47.8	11.75	2.0
VOLUME7A 2x2	23.75	23.75	2.13
VOLUME7A 2x4	47.8	23.75	2.13



Accessories and Replacement Parts

Item Number	Ordering Abbreviation	Description
62590	SMK1A/14G/WH	1 x 4 Surface mount kit, white finish
62591	SMK1A/22G/WH	2 x 2 Surface mount kit, white finish
62592	SMK1A/24G/WH	2 x 4 Surface mount kit, white finish
60457	FK1A/14G/WH	1 x 4 Flange kit, white finish
60458	FK1A/22G/WH	2 x 2 Flange kit, white finish
60459	FK1A/24G/WH	2 x 4 Flange kit, white finish

Flange Kit Dimensions



Flange Kit Cutout Specifications

Size	Length (in)	Width (in)
2x2	24.65	24.65
2x4	48.62	24.65
1x4	48.62	12.79

Flange Kits



Surface Mount Kits



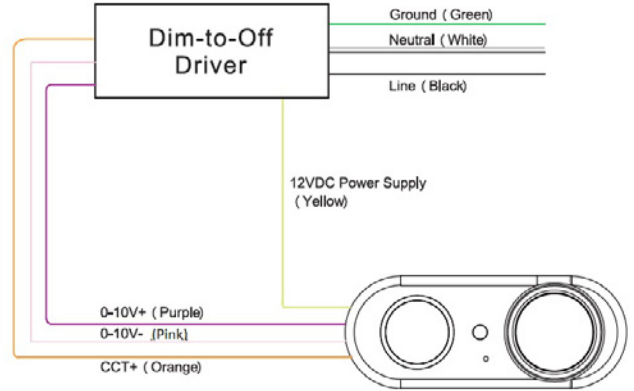
Sensor Accessories

Item Number	Ordering Abbreviation	Description
65785	ECOSENSOR/PIR/AUX12V	Low Voltage Plug&Play Sensor
62636	WALLSWITCH/5KEYBLE	Bluetooth Mesh Low Voltage 5 Button Switch

Specifications

Input Voltage	12Vdc
Input Current	10mA
Dimming	0-10V
Detection Range	48ft Max.
Mounting Height	15ft Max.
IP 20 Rating	Damp locations
Operating Temperature	40°F to +131°F (-40°C to +55°C)

Wiring Diagram



Sensor



With Sensor



Without Sensor

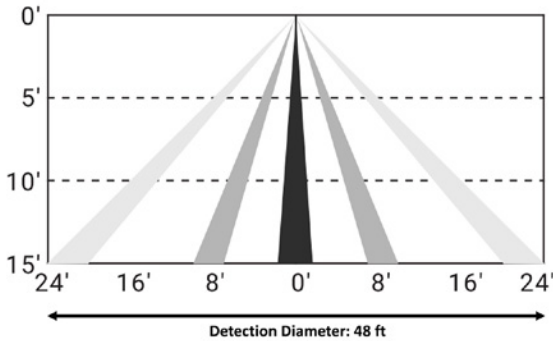


Wireless Switch

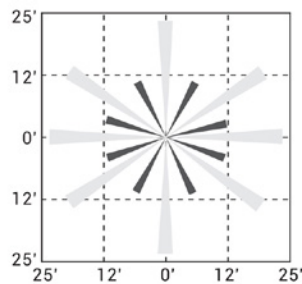


Sensor Coverage

Sensor Side View



Sensor Top View



Commissioning Guide



LEDVANCE LLC
 181 Ballardvale Street, Suite 203
 Wilmington, MA 01887 USA
 Phone 1-800-LIGHTBULB (1-800-544-4828)
 www.ledvanceUS.com

LEDVANCE is a registered trademark. All other trademarks are those of their respective owners. Specifications subject to change without notice.



SCAN TO FOLLOW US
 ON SOCIAL MEDIA

