

# LEDVANCE LUMINAIRES

## PERFORMANCE CLASS

### OPTI-SELECT AREA LIGHT

## OPTISELECT

#### LEDVANCE LUMINAIRE SPECIFICATION DATA

Catalog #	Comments
Project	
Type	
Prepared by	

### PERFORMANCE CLASS™



#### APPLICATION

The Performance Class OPTI-SELECT Area Light offers 3 CCTs, 3 lumen outputs and 3 light distributions in the same product. With an integrated 7-pin NEMA receptacle and field installable screw-in sensors, this flexible product is ideal for parking lots, walkways and general outdoor area lighting.

#### BENEFITS & FEATURES

- OPTI-SELECT: Multiple distributions with a simple turn of a switch, no lens swap needed and no screws to remove. Types III, IV and V distribution in the same product
- Up to 150 LPW
- Selectable color temperature: 3000K/4000K/5000K, or the exclusive 1800K/2200K/2700K
- CRI >80
- Selectable wattage and lumens:
  - 40/60/80W | 6,000/9,000/12,000 lm
  - 90/120/150W | 13,500/18,000/22,500 lm
  - 180/240/300W | 27,000/36,000/45,000 lm
- FLEXMOUNT: Universal bracket for slip fitter, wall, round and square pole mounting
- DLC 5.1 Premium Listing assures high energy efficiency and qualifies this product for utility rebates
- Ready for field installable standalone controls, no wiring required
- Compatible with LEDVANCE LINK™ Bluetooth® controls and sensors
- 7-pin NEMA receptacle + shorting cap (optional photocell available as an accessory)

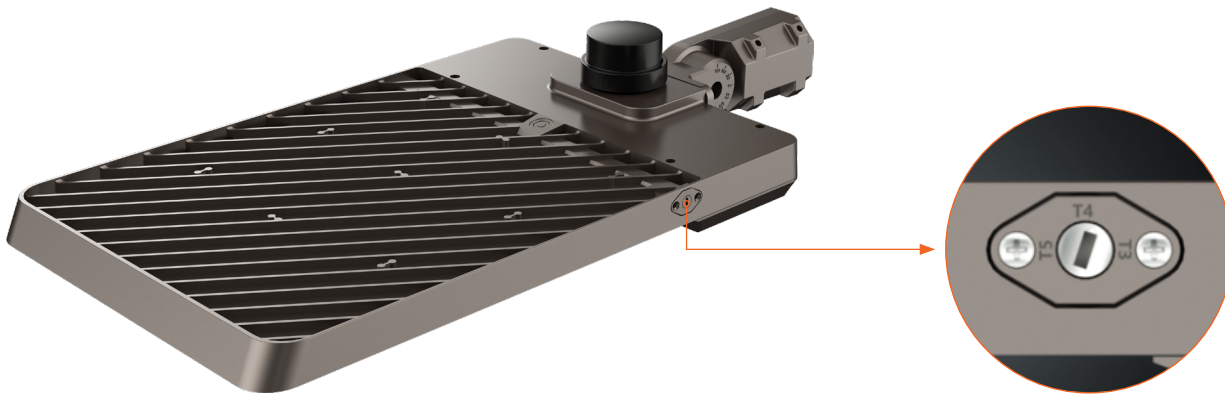


LEDLUM214R2 6-24

## SELECTABLE OPTICAL DISTRIBUTION

Innovative Field Adjustment Distribution  
T3, T4 and T5 in one product

**NO LENS CHANGE NEEDED; SIMPLY TURN A SWITCH FOR DESIRED DISTRIBUTION**



**OPTISELECT**

### ELECTRICAL

- 120-347 V<sub>AC</sub>  
(optional 277-480 V<sub>AC</sub>)
- Power Factor >0.9
- THD < 20%
- Dimmable 0-10V
- 10kV Surge protection

### RATED LIFE

- 100,000 hours (L<sub>70</sub>) @ 25°C

### OPERATING TEMPERATURE

- -40°F to +122°F (-40°C to +50°C)

### CERTIFICATIONS & LISTINGS

- cULus listed to UL1598 standards
- RoHs
- FCC
- IP65, wet location
- DLC 5.1 Premium

### WARRANTY

- 5 year
- NLB Trusted Warranty Program

### INSTALLATION

- Universal mounting bracket included for square and round pole mounting as well as slip fitter mount



INSTALLATION GUIDE

## WATTAGE COMPARISON

LED SOURCE WATTAGE/LUMENS	REPLACES TRADITIONAL SOURCE	ENERGY SAVINGS
90W/12,000lm	HPS/MH	up to 250W 64%
150W/22,500lm		up to 400W 63%
300W/45,000lm		up to 1000W 70%

## ORDERING GUIDE

AREAFLD	6A	SXXX	XXX	D	SCX	ADJ	X
PRODUCT NAME	GENERATION	WATTAGE	VOLTAGE	DIMMING	COLOR TEMPERATURE	DISTRIBUTION	COLOR/FINISH
AREAFLD = Area Flood	6A = Generation 6A	S080 = 40/60/80W S150 = 90/120/150W S300 = 180/240/300W	UNH = 120-347V HUV = 277-480V	D = 0-10V Dimming	SC2 = 3000/4000/5000K SC15 = 1800/2200/2700K	ADJ = Adjustable T3/T4/T5	BZ = Bronze

## ORDERING INFORMATION

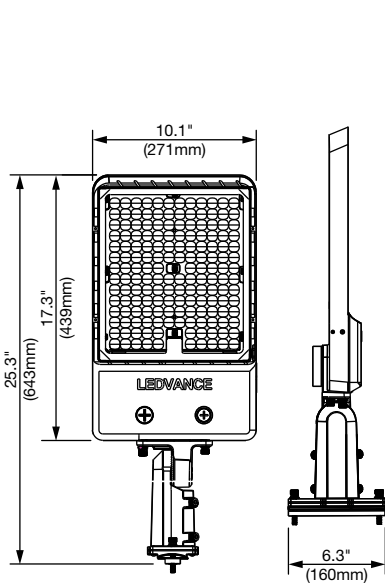
ITEM #	ORDERING ABBREVIATION	WATTAGE (W)	INPUT VOLTAGE (V)	DIM. (V)	CRI	COLOR TEMP (CCT)	DISTRIBUTION	TOTAL LUMENS (LM)	DLC	LPW	BUG RATING	MTO**
<b>OPTI-SELECT Adjustable Distribution, Lumen and CCT Selectable</b>												
64012	AREAFLD6AS080UNHDSC2ADJBZ	40/60/80	120-347	0-10	>80	3000/4000 /5000K	Adjustable T3/T4/T5	6,000/9,000 /12,000	5.1 Prem*	up to 150	T3/T4: B3U0G3 T5: B3U0G2	-
64013	AREAFLD6AS150UNHDSC2ADJBZ	90/120/150	120-347	0-10	>80	3000/4000 /5000K	Adjustable T3/T4/T5	13,500/18,000 /22,500	5.1 Prem*	up to 150	T3/T4: B4U0G4 T5: B4U0G2	-
64014	AREAFLD6AS300UNHDSC2ADJBZ	180/240/300	120-347	0-10	>80	3000/4000 /5000K	Adjustable T3/T4/T5	27,000/36,000 /45,000	5.1 Prem*	up to 150	T3/T4: B5U0G5 T5: B5U0G4	-
64087	AREAFLD6AS080UNHDSC15ADJBZ	40/60/80	120-347	0-10	>80	1800/2200 /2700K	Adjustable T3/T4/T5	5040/7560 /10,080	5.1 Prem*	up to 126	T3/T4: B3U0G3 T5: B3U0G2	✓
64088	AREAFLD6AS150UNHDSC15ADJBZ	90/120/150	120-347	0-10	>80	1800/2200 /2700K	Adjustable T3/T4/T5	11,340/15,120 /18,900	5.1 Prem*	up to 126	T3/T4: B4U0G4 T5: B4U0G2	✓
64089	AREAFLD6AS300UNHDSC15ADJBZ	180/240/300	120-347	0-10	>80	1800/2200 /2700K	Adjustable T3/T4/T5	22,680/30,240 /37,800	5.1 Prem*	up to 126	T3/T4: B5U0G5 T5: B5U0G4	✓

\*Coming Soon

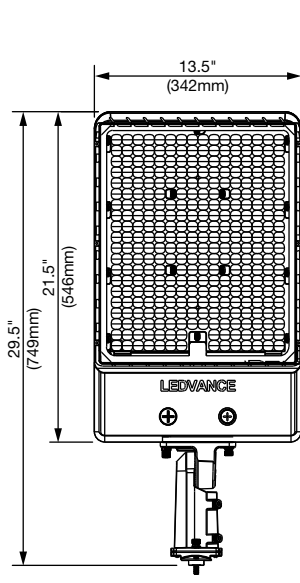
\*\*Made to Order

## PHYSICAL INFORMATION

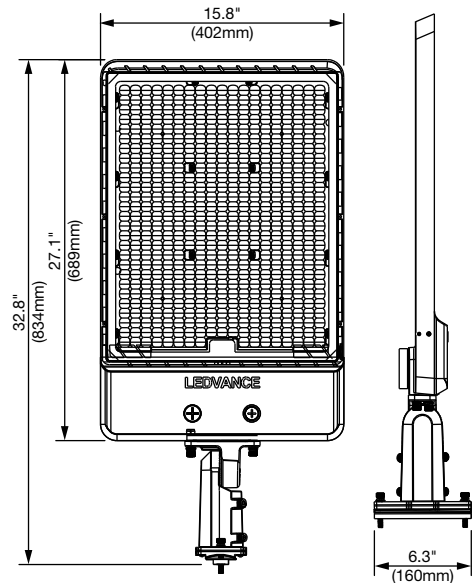
LUMINAIRE DESCRIPTION	LENGTH IN (MM)	WIDTH IN (MM)	HEIGHT IN (MM)	WEIGHT LB (KG)	EPA (FT <sup>2</sup> )
80W OPTI-SELECT	25.3 (643)	10.1 (271)	6.3 (160)	15.8 (7.2)	1.6
150W OPTI-SELECT	29.5 (749)	13.5 (342)	6.3 (160)	20.7 (9.4)	2.4
300W OPTI-SELECT	32.8 (834)	15.8 (402)	6.3 (160)	26 (11.8)	3.3



OPTI-SELECT 80W



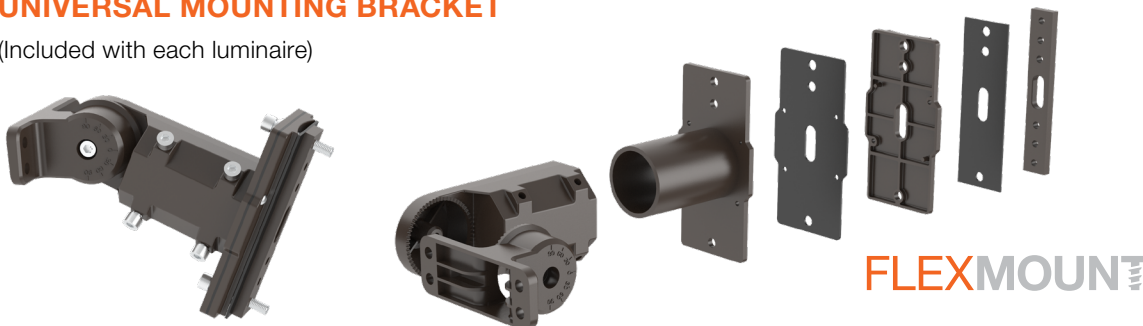
OPTI-SELECT 150W



OPTI-SELECT 300W

## UNIVERSAL MOUNTING BRACKET

(Included with each luminaire)

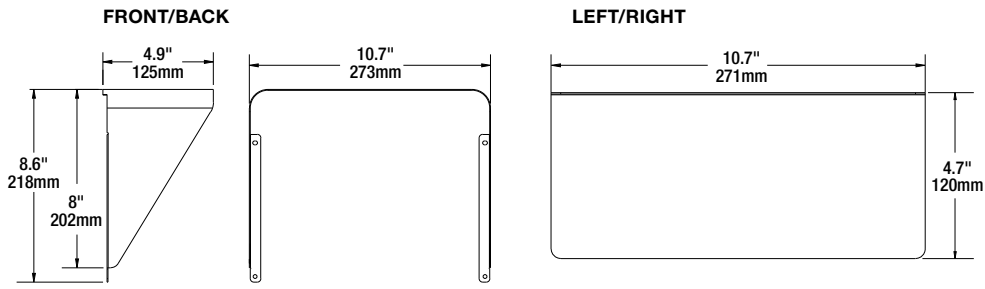


FLEXMOUNT

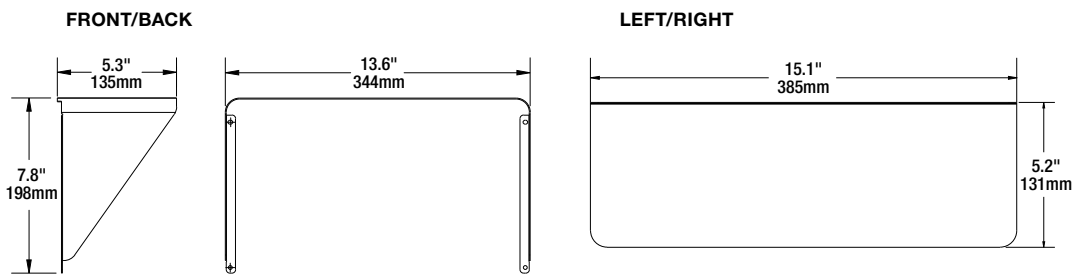
## ACCESSORIES

ITEM #	ORDERING ABBREVIATION	ITEM DESCRIPTION
<b>Visors</b>		
66188	AREAOPTISELECTSMVISORFBBZ	Small visor, front/back, bronze (for 80W)
66189	AREAOPTISELECTMEDVISORFBBZ	Medium visor, front/back, bronze (for 150W)
66190	AREAOPTISELECTLRGVISORFBBZ	Large visor, front/back, bronze (for 300W)
66191	AREAOPTISELECTSMVISORLRBZ	Small visor, left/right, bronze (for 80W)
66192	AREAOPTISELECTMEDVISORLRBZ	Medium visor, left/right, bronze (for 150W)
66193	AREAOPTISELECTLRGVISORLRBZ	Large visor, left/right, bronze (for 300W)
<b>Bird Spikes</b>		
63961	AREAFLD6ASMBIRDSPIKE	Small Bird Spike (80-150W)
63962	AREAFLD6ALRGBIRDSPIKE	Large Bird Spike (300W)
<b>Sensors</b>		
63748	AREA/PIRMOTIONDAYSENSOR/BZ	Field installable PIR Motion/Daylight Sensor, IP65, Max. mounting height 39ft, Bronze
65732	AREA/MWMOTIONDAYSENSOR/BZ	Field installable Microwave Motion/Daylight Sensor, IP65, Max. mounting height 49ft, Bronze
62664	HIGHBAYPIRMOTIONDAYSENSOR2	Field installable PIR Motion/Daylight Sensor, IP65, Max. mounting height 39ft, White
65622	HIGHBAYMOTIONDAYSENSOR	Field installable Microwave Motion/Daylight Sensor, IP65, Max. mounting height 49ft, White
65623	REMOTE/MOTIONDAY/001	Remote control for Motion/Daylight Sensors – Remote is required to change default settings
<b>Photocells</b>		
61393	AREAFLDXANEMAPHOTOCELLUNV	Area/Flood NEMA photocell 120-277V
61394	AREAFLDXANEMAPHOTOCELL347	Area/Flood NEMA photocell 347V
61395	AREAFLDXANEMAPHOTOCELL480	Area/Flood NEMA photocell 480V
63197	NEMASHORTINGCAP	NEMA Shorting cap (base unit already ships with shorting cap)
<b>LEDVANCE LINK™ Accessories</b>		
63652	SENSORADAPTER1A	Sensor adapter for LEDVANCE LINK™ sensors
62634	SENSORHB/PIRAUX12V/BLE	Bluetooth® mesh wireless controller and sensor, LEDVANCE LINK™
62630	ADAPTER/AUX12V/BLE	Bluetooth® Mesh low voltage controller-BLE enabled fixture

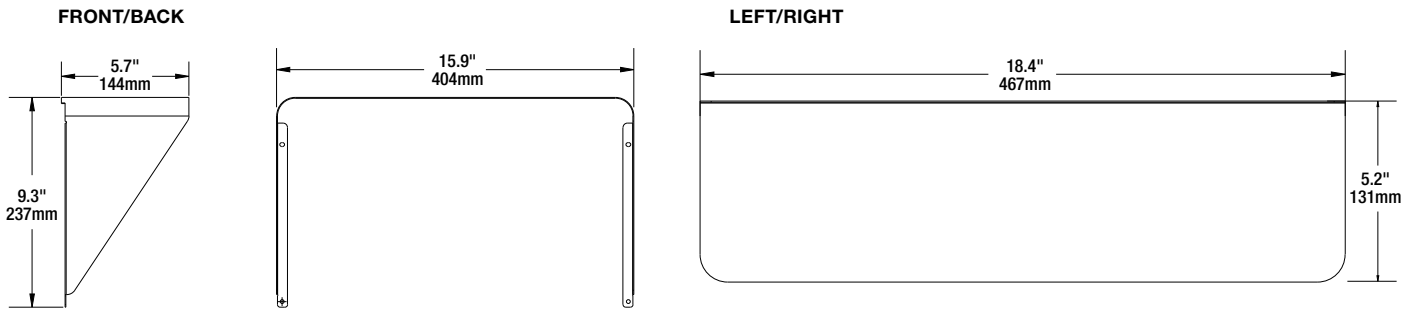
**80W VISOR**



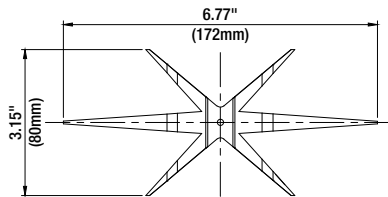
**150W VISOR**



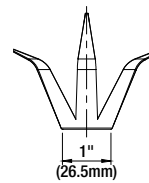
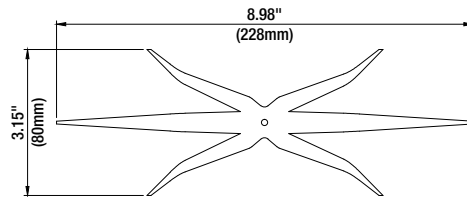
**300W VISOR**



**SMALL BIRD SPIKE**

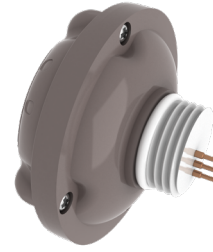


**LARGE BIRD SPIKE**



## OPTIONAL MOTION/DAYLIGHT SENSOR DEFAULT SETTINGS

Detection Area	100%
Hold time – Time fixtures stays at 100% after last motion before dimming	10 minutes
Daylight threshold – Light level above which lights will remain off	50 Lux
Stand-by period – Time light remains dimmed before shutting off	60 minutes
Stand-by Dimming – dimming level of light during the stand-by period	30%



**MOTION SENSOR**  
**Bronze: 63748/65732**  
**White: 62664/65662**



**REMOTE**  
**(65623)**

## OPTIONAL LEDVANCE LINK™ ACCESSORIES



**BLUETOOTH® MESH WIRELESS CONTROLLER & SENSOR, LEDVANCE LINK™ (62634)**



**SENSOR ADAPTER FOR LEDVANCE LINK™ SENSORS (63652)**

## BENEFITS & FEATURES

- The LEDVANCE LINK™ Bluetooth® Mesh Low Voltage components use Bluetooth® technology for easy and secure wireless communication
- Enables regular LEDVANCE luminaires to become Bluetooth® enabled and allows for luminaires to be turned on/off and dimmed (manual or auto)
- Components can be used up to 40ft fixture mounting height
- Control using either the LEDVANCE LINK™ smart phone App or the wireless wall switch

## SENSOR INFORMATION

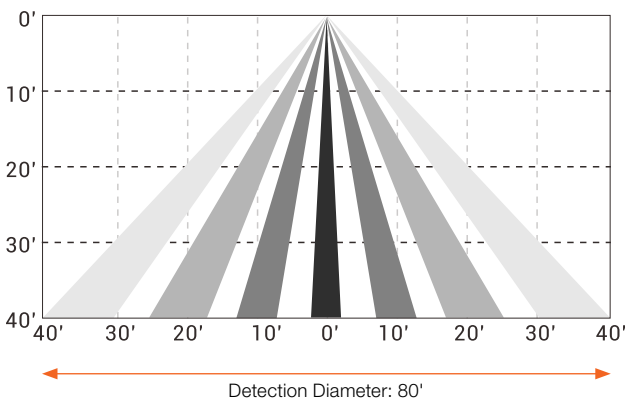
- Input voltage: 12Vdc
- Bluetooth® transmit line distance: 100ft
- Detection range: 48-80ft
- Rated current: 55mA
- Dimming: 0-10V
- Infrared sensor: Omni-directional quad element pyroelectric
- Mounting height: 15-40ft
- Detectable speed: 1~10 ft/sec (0.3~3 m/sec)
- Operating temperature: -40°F~131°F (-40°C~55°C)
- Operating humidity: IP66
- Protocol: Bluetooth® Mesh BLE Proprietary



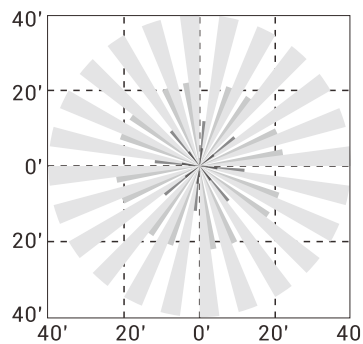
COMMISSIONING GUIDE

### MOUNTING HEIGHT: UP TO 40'

#### Detection Coverage Side View



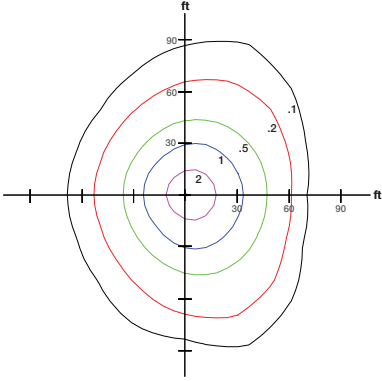
#### Detection Coverage Top View



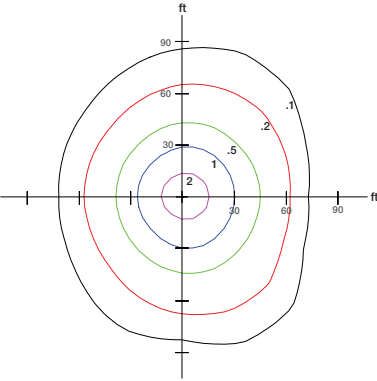
# PHOTOMETRIC INFORMATION

## HORIZONTAL ISO FOOT-CANDLE PLOT

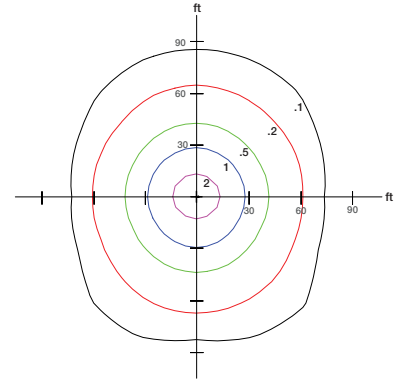
**80W luminaire, T3 distribution, 4000K, mounted at 30' height**



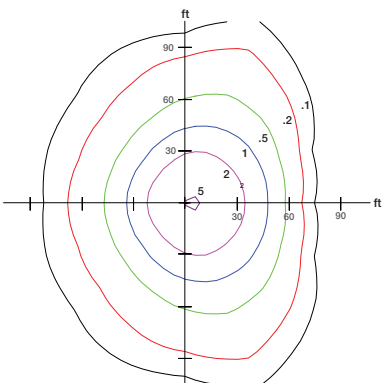
**80W luminaire, T4 distribution, 4000K, mounted at 30' height**



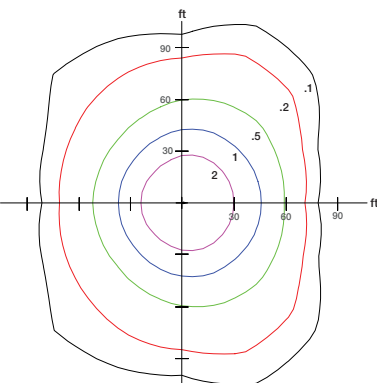
**80W luminaire, T5 distribution, 4000K, mounted at 30' height**



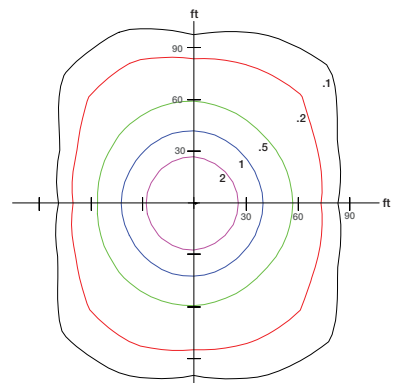
**150W luminaire, T3 distribution, 4000K, mounted at 30' height**



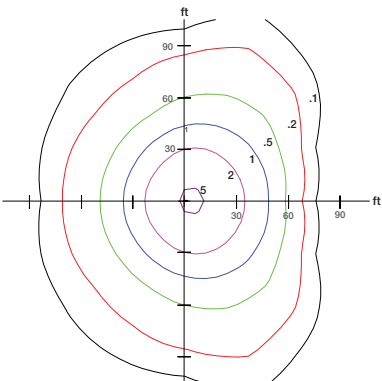
**150W luminaire, T4 distribution, 4000K, mounted at 30' height**



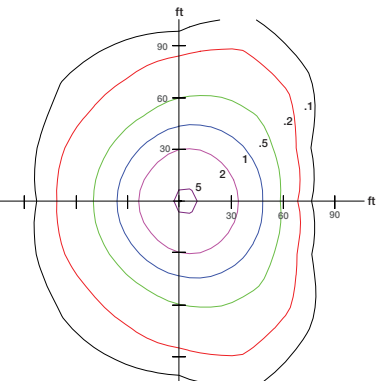
**150W luminaire, T5 distribution, 4000K, mounted at 30' height**



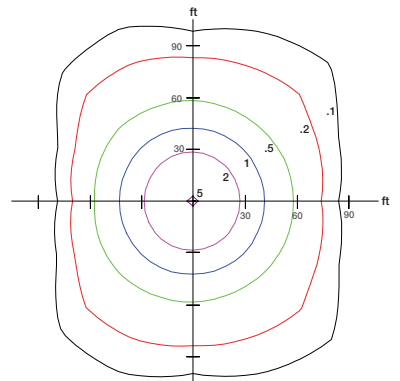
**300W luminaire, T3 distribution, 4000K, mounted at 30' height**



**300W luminaire, T4 distribution, 4000K, mounted at 30' height**



**300W luminaire, T5 distribution, 4000K, mounted at 30' height**



<b>MOUNTING HEIGHT (FT)</b>	15	20	25	30	35	40
<b>MULTIPLIER</b>	4.00	2.25	1.44	1	0.73	0.56

<b>MOUNTING HEIGHT (FT)</b>	25	30	35	40	45	50
<b>MULTIPLIER</b>	2.56	1.78	1.31	1	0.79	0.64

- Multiply the footcandle levels in the diagram according to the desired installation height
- Each tick on the diagram represents a multiple of the mounting height from the fixture



LEDVANCE LLC  
181 Ballardvale Street, Suite 203  
Wilmington, MA 01887 USA  
Phone: 1-800-LIGHTBULB (1-800-544-4828)  
www.ledvanceUS.com

LEDVANCE is a registered trademark.  
The Bluetooth® word mark and logos are registered trademarks owned by the Bluetooth SIG, Inc. and any use of such marks by LEDVANCE LLC is under license. All other trademarks are those of their respective owners. Specifications subject to change without notice.



SCAN TO FOLLOW US  
ON SOCIAL MEDIA