

LEDVANCE LUMINAIRES OPTI-SELECT FLOOD LIGHT

OPTISELECT

LEDVANCE LUMINAIRE SPECIFICATION DATA

Catalog #	Comments
Project	
Type	
Prepared by	

PERFORMANCE CLASS™



APPLICATION

The Performance Class OPTI-SELECT Flood Light offers three lumen packages, three CCTs and three beam angles in the same product. With two mounting options included in the box, it is perfect for illuminating buildings, facades, signs, gardens and other outdoor areas.

BENEFITS & FEATURES

- OPTI-SELECT: Three beam angles adjustable via switch; 55/75/90° in the same product. Additional 25/30/35° in the higher wattages.
- Up to 145 LPW
- Selectable color temperature: 3000K/4000K/5000K
- CRI >80
- Selectable wattage and lumens:
 - 15/25/30W | 2,175/3,625/4,350 lm
 - 35/45/60W | 5,075/6,525/8,700 lm
 - 80/100/140W | 11,600/14,500/20,300 lm
 - 200/250/300W | 29,000/36,250/43,500 lm
 - 350/400/470W | 50,750/58,000/68,150 lm
- FLEXMOUNT: ½" IPS knuckle and trunnion (30W and 60W) or Slip fitter and trunnion (140W, 300W and 470W) included in the box
- DLC 5.1 Premium Listing assures high energy efficiency and qualifies this product for utility rebates
- Integrated photocell (30-140W) or NEMA 3-pin receptacle + shorting cap (300-470W)

FLEXMOUNT™

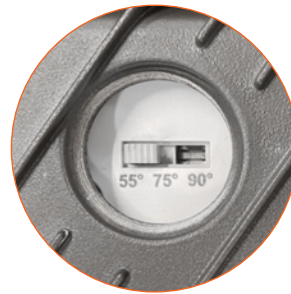


OPTI-SELECT FLOOD LIGHT SELECTABLE BEAM ANGLE

OPTISELECT



Adjustable Beam Angle
55, 75 and 90° in one product



30W, 60W & 140W



300W & 470W

ELECTRICAL

- 120-347 V_{AC} (277-480V optional for 300W and 470W versions)
- Power Factor >0.9
- THD <20%
- Dimmable 0-10V
- 6kV Surge

OPERATING TEMPERATURE

- -40°F to +122°F (-40°C to +50°C)

CERTIFICATIONS & LISTINGS

- cULus listed to UL1598 standards
- RoHs
- FCC
- IP65, wet location
- DLC 5.1 Premium

WARRANTY

- 5 year
- NLB Trusted Warranty Program

RATED LIFE

- 100,000 hours (L₇₀) @ 25°C

INSTALLATION

- Trunnion and 1/2" IPS included for 30 and 60W
- Trunnion and slip fitter included for 140W, 300W, and 470W
- Yoke mounting sold separately



INSTALLATION GUIDE

ORDERING GUIDE

FLOODLT	P	SXXX	XXX	D	8	SC2	ADX	BZ	P
PRODUCT NAME	SEGMENTATION	WATTAGE	VOLTAGE	DIMMING	CRI	COLOR TEMPERATURE	BEAM ANGLE	COLOR/ FINISH	OPTIONS
FLOODLT = Flood Light	P = Performance Class	S030 = 15/25/30W S060 = 35/45/60W S140 = 80/100/140W S300 = 200/250/300W S470 = 350/400/470W	UNH = 120-347V HUV = 277-480V	D = 0-10V Dimming	80 = >80 CRI	SC2 = 3000/4000/5000K	ADJ = 55/75/90° ADN = 25/30/35°	BZ = Bronze	P = Photocell

ORDERING INFORMATION

ITEM #	ORDERING ABBREVIATION	WATTAGE (W)	INPUT VOLTAGE (V)	DIM (V)	CRI	CCT	BEAM ANGLE	TOTAL LUMENS @ 4000K (LM)	DLC	LPW	PHOTOCELL
66316	FLOODLTPS030UNHD8SC2ADJBZP	15/25/30	120-347	0-10	>80	3000/4000/5000	55/75/90°	2175/3625/4350	5.1 Prem	145	Integrated
66317	FLOODLTPS060UNHD8SC2ADJBZP	35/45/60	120-347	0-10	>80	3000/4000/5000	55/75/90°	5075/6525/8700	5.1 Prem	145	Integrated
66318	FLOODLTPS140UNHD8SC2ADJBZP	80/100/140	120-347	0-10	>80	3000/4000/5000	55/75/90°	11600/14500/20300	5.1 Prem	145	Integrated
66319	FLOODLTPS300UNHD8SC2ADJBZP	200/250/300	120-347	0-10	>80	3000/4000/5000	55/75/90°	29000/36250/43500	5.1 Prem	145	3-pin receptacle + shorting cap
66320	FLOODLTPS470UNHD8SC2ADJBZP	350/400/470	120-347	0-10	>80	3000/4000/5000	55/75/90°	50750/58000/68150	5.1 Prem	145	3-pin receptacle + shorting cap
66321	FLOODLTPS300HUV8SC2ADJBZP	200/250/300	277-480	0-10	>80	3000/4000/5000	55/75/90°	29000/36250/43500	5.1 Prem	145	3-pin receptacle + shorting cap
66322	FLOODLTPS470HUV8SC2ADJBZP	350/400/470	277-480	0-10	>80	3000/4000/5000	55/75/90°	50750/58000/68150	5.1 Prem	145	3-pin receptacle + shorting cap
66680*	FLOODLTPS300UNHD8SC2ADNBZP	200/250/300	120-347	0-10	>80	3000/4000/5000	25/30/35°	29000/36250/43500	5.1 Prem	145	3-pin receptacle + shorting cap
66681*	FLOODLTPS470UNHD8SC2ADNBZP	350/400/470	120-347	0-10	>80	3000/4000/5000	25/30/35°	50750/58000/68150	5.1 Prem	145	3-pin receptacle + shorting cap
66682*	FLOODLTPS300HUV8SC2ADNBZP	200/250/300	277-480	0-10	>80	3000/4000/5000	25/30/35°	29000/36250/43500	5.1 Prem	145	3-pin receptacle + shorting cap
66683*	FLOODLTPS470HUV8SC2ADNBZP	350/400/470	277-480	0-10	>80	3000/4000/5000	25/30/35°	50750/58000/68150	5.1 Prem	145	3-pin receptacle + shorting cap

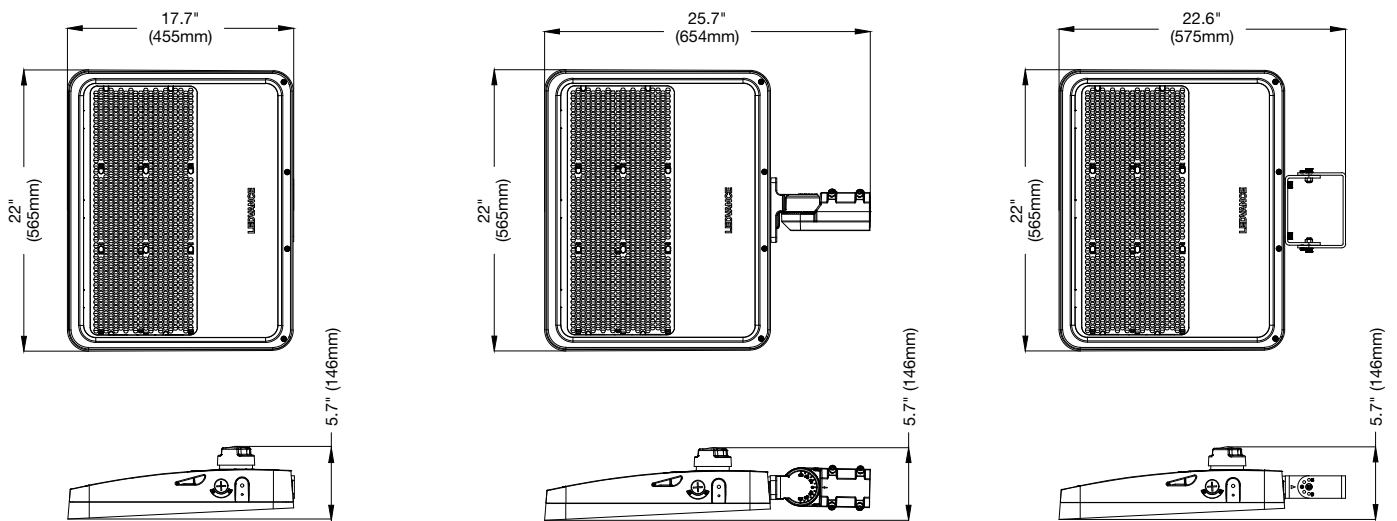
*MTO

PHYSICAL INFORMATION

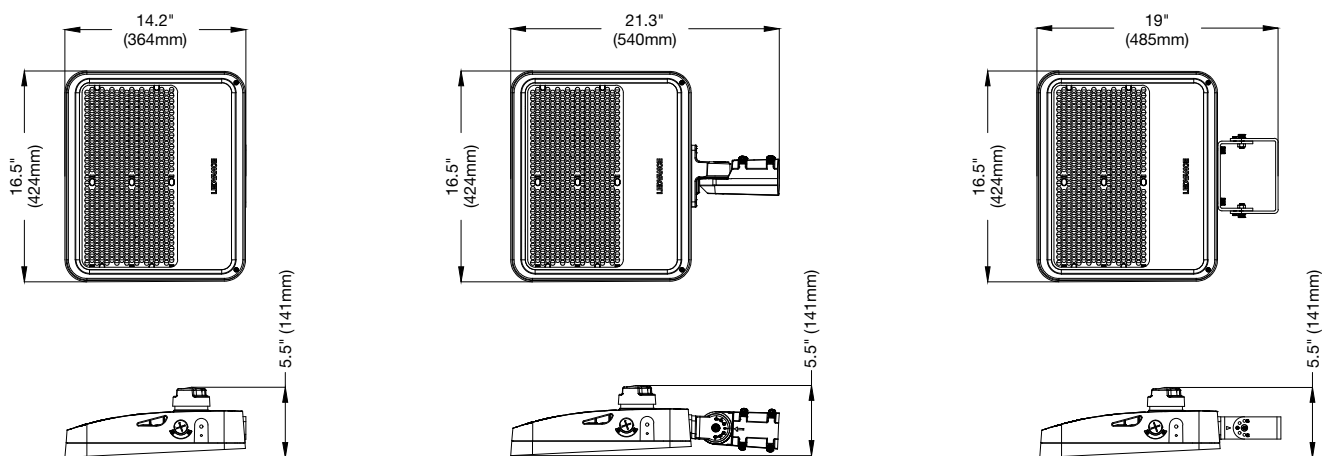
LUMINAIRE DESCRIPTION	LENGTH IN (MM)	WIDTH IN (MM)	HEIGHT IN (MM)	WEIGHT LB (KG)	CORD LENGTH IN (MM)	EPA* (FT ²) TILT ANGLE:		
						0° (HORIZONTAL)	≤45°	≤90° (VERTICAL)
30W	7.0 (180)	1.6 (42)	5.9 (150)	2.7 (1.2)	24 (610)	0.1	0.28	0.35
60W	8.2 (210)	1.6 (42)	7.0 (180)	3.3 (1.5)	24 (610)	0.11	0.38	0.49
140W	12.0 (308)	2.3 (58)	9.0 (232)	8.4 (3.8)	40 (1016)	0.23	0.73	0.92
300W	16.5 (424)	5.5 (141)	14.2 (364)	18.5 (8.4)	40 (1016)	0.52	1.53	1.98
470W	22.0 (565)	5.7 (146)	17.7 (455)	29.1 (13.2)	40 (1016)	0.73	2.51	3.31

*Considering horizontal wind

470W

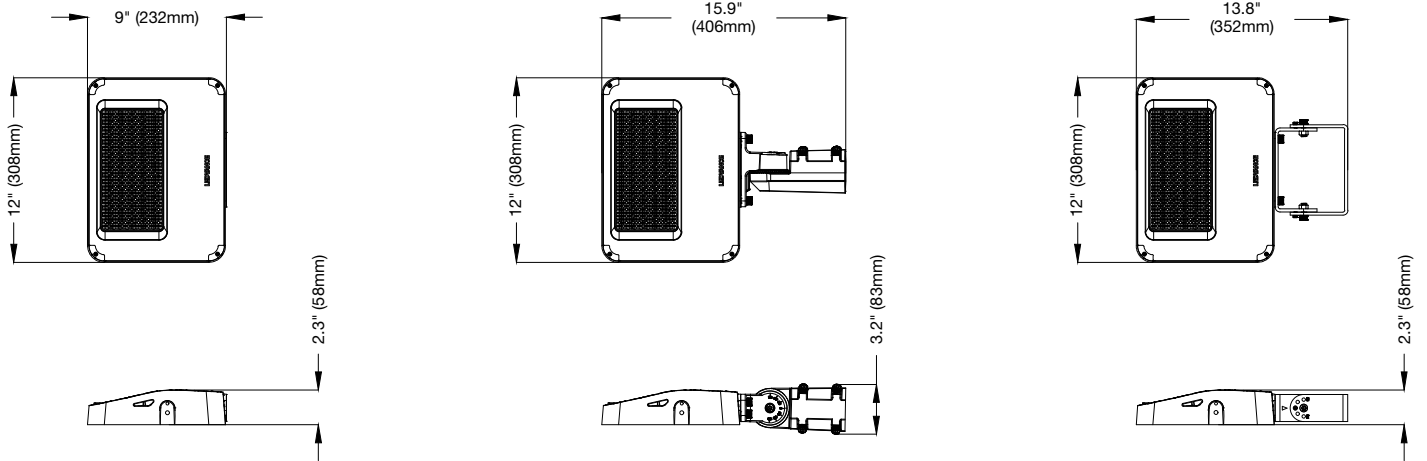


300W

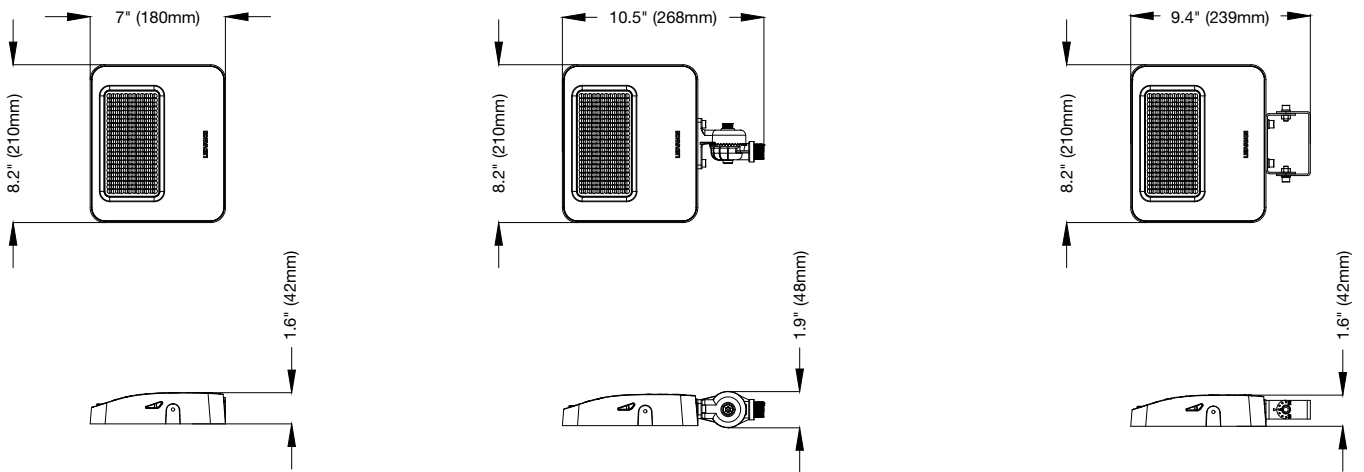


PHYSICAL INFORMATION (continued)

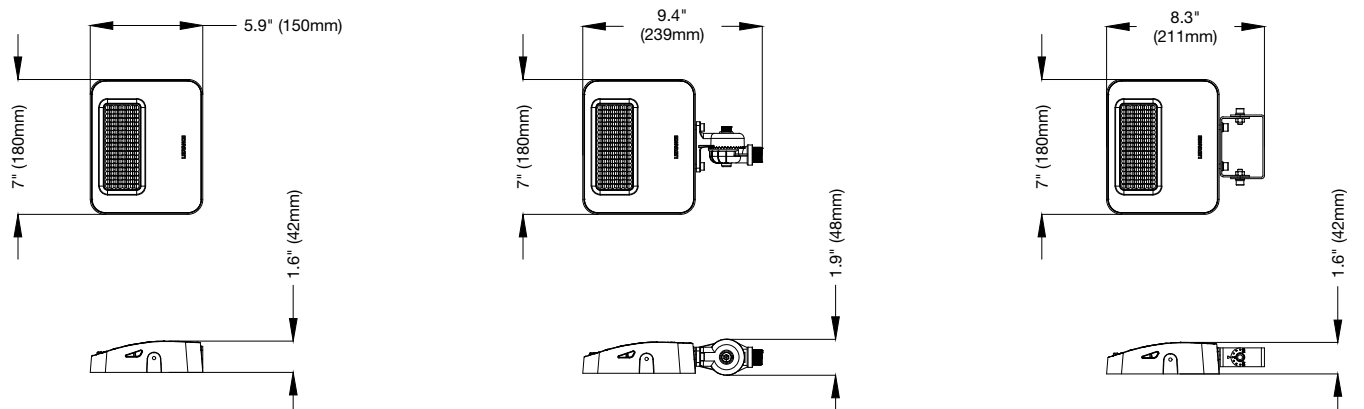
140W



60W



30W



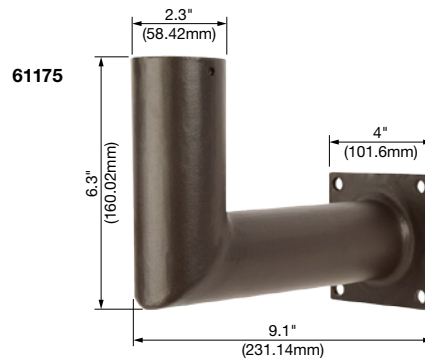
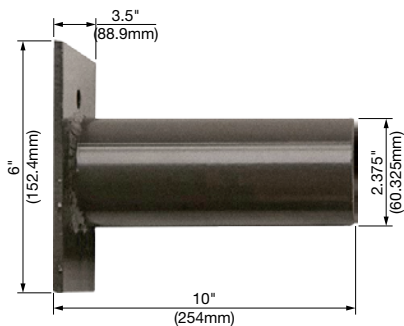
MOUNTING BRACKETS

- ½" IPS and Trunion included with 30W and 60W
- Slip fitter and Trunion included with 140W, 300W, 470W
- Yoke mount sold separately for all wattages

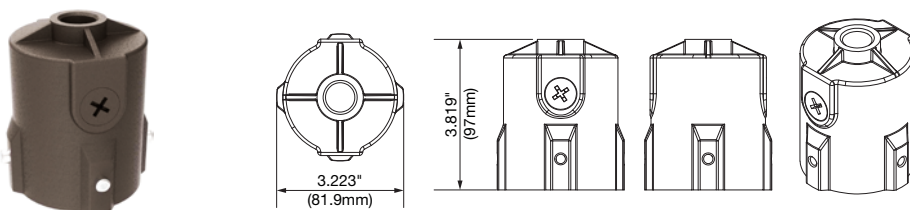
ACCESSORIES

ITEM #	ORDERING ABBREVIATION	ITEM DESCRIPTION
Photocells		
61393	AREAFLDXANEMAPHOTOCELLUNV	Area/Flood NEMA photocell 120-277V
64258	AREAFLDXANEMAPHOTOCELLHUV	Area/Flood NEMA photocell 347-480V
63197	NEMASHORTINGCAP	NEMA Shorting cap (base unit already ships with shorting cap)
Yoke Mounts		
65838	FLOODLT2AYOKE30WBZ	Yoke mount, 30W, bronze
65839	FLOODLT2AYOKE60WBZ	Yoke mount, 60W, bronze
66485	FLOODLT2AYOKE140WBZ	Yoke mount, 140W, bronze
65841	FLOODLT2AYOKE300WBZ	Yoke mount, 300W, bronze
65842	FLOODLT2AYOKE470WBZ	Yoke mount, 470W, bronze
Wall Mounting Brackets		
61174	BRACKET1AWALLHORIZTENONBZ	Horizontal Wall Mounting Bracket, Bronze
61175	BRACKET1AWALL90DEGTENONBZ	90° Wall Mounting Bracket, Bronze
Tenon Adapter For Low Wattage Flood Lights		
60688	TENONADAPTER1ABZ	Tenon adapter, Bronze
Tenon Adapter for Slip Fitter		
61171	BRACKET1APOSTTENADAPTERBZ	Tenon adapter for 3" pole, 2-3/8", bronze
61172	BRACKET1APOSTTENADAPTERBL	Tenon adapter for 3" pole, 2-3/8", black
61173	BRACKET1APOSTTENADAPTERGR	Tenon adapter for 3" pole, 2-3/8", grey
62419	BRACKET1APOSTTENADAPTERWH	Tenon adapter for 3" pole, 2-3/8", white
66212	POLESRS2ATENONADAPT4INBZ	Tenon adapter for 4" pole, 2-3/8", bronze
66213	POLESRS2ATENONADAPT4INBL	Tenon adapter for 4" pole, 2-3/8", black
66214	POLESRS2ATENONADAPT4INGR	Tenon adapter for 4" pole, 2-3/8", grey
63315	POLESQS2BTENON4INBZ	Tenon adapter for 4" square pole, 2-3/8", bronze
63316	POLESQS2BTENON5INBZ	Tenon adapter for 5" square pole, 2-3/8", bronze

**WALL BRACKET
61174**



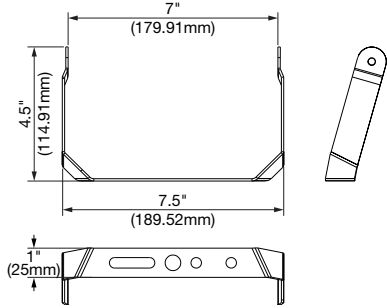
**TENON ADAPTER
FOR LOW WATTAGE
FLOOD LIGHTS
60688**



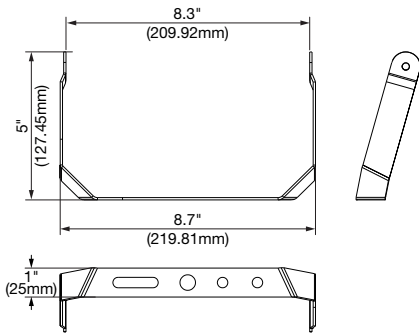
BRACKET
SPEC SHEET

ACCESSORIES (continued)

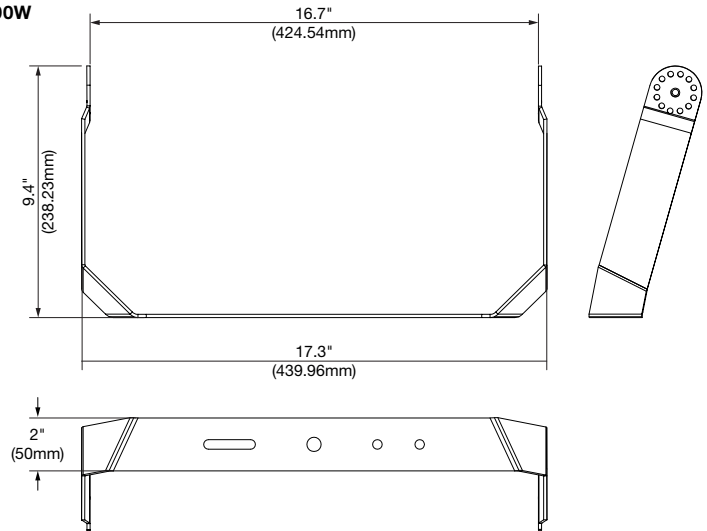
YOKE MOUNT 30W



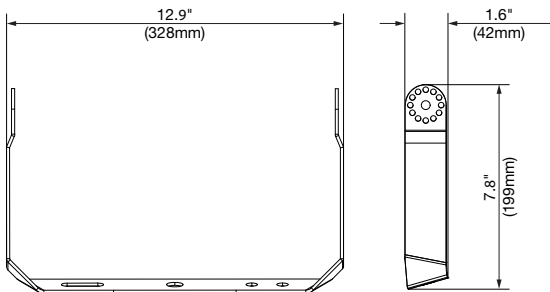
60W



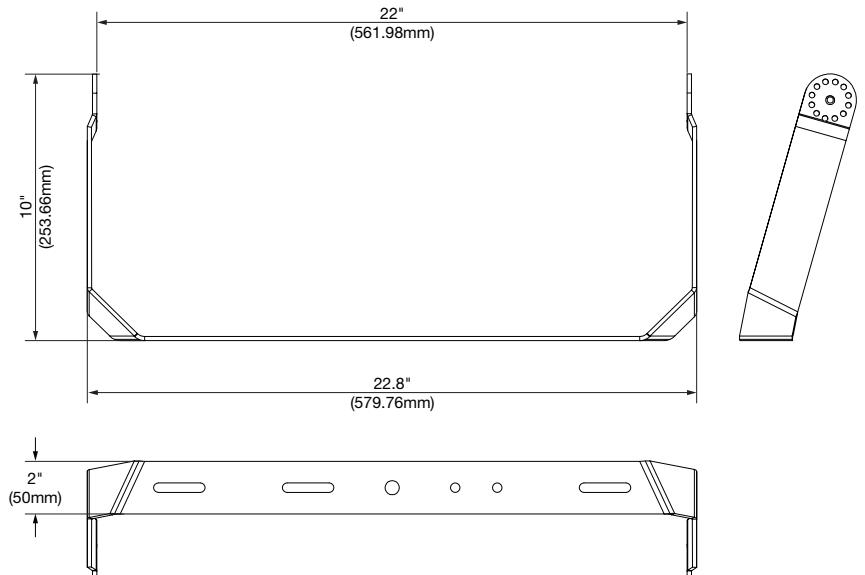
300W



140W



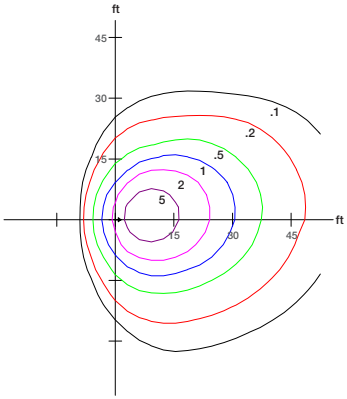
470W



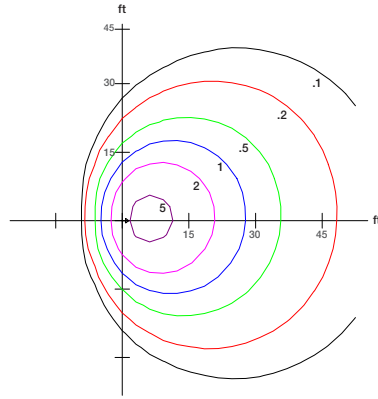
PHOTOMETRIC INFORMATION

HORIZONTAL ISO FOOT-CANDLE PLOT

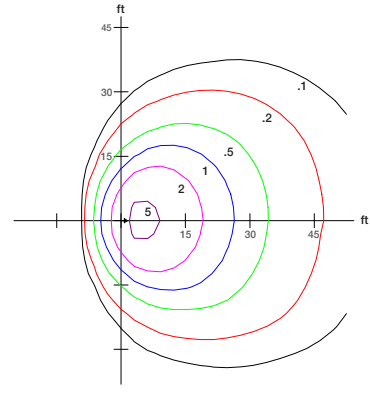
30W luminaire, 55° beam angle, mounted at 15' height, tilted 45°



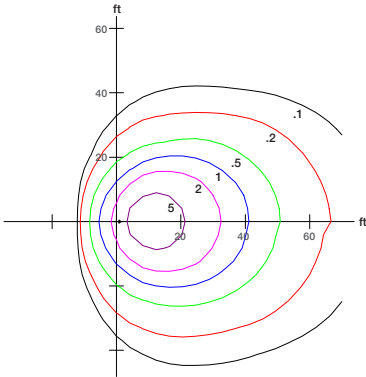
30W luminaire, 75° beam angle, mounted at 15' height, tilted 45°



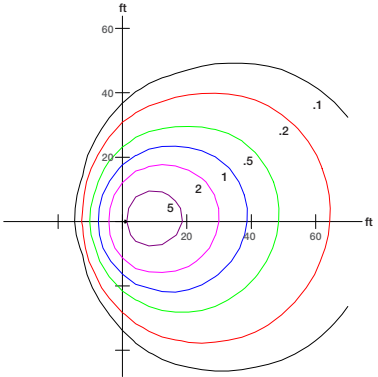
30W luminaire, 90° beam angle, mounted at 15' height, tilted 45°



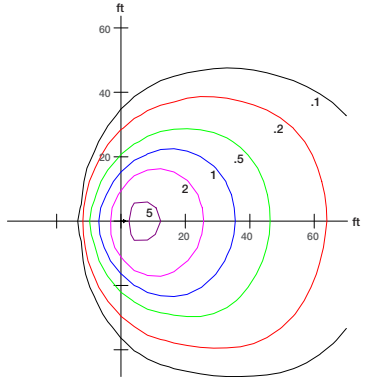
60W luminaire, 55° beam angle, mounted at 20' height, tilted 45°



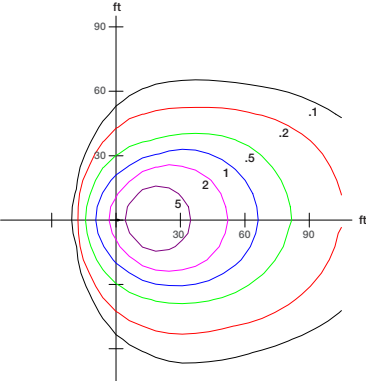
60W luminaire, 75° beam angle, mounted at 20' height, tilted 45°



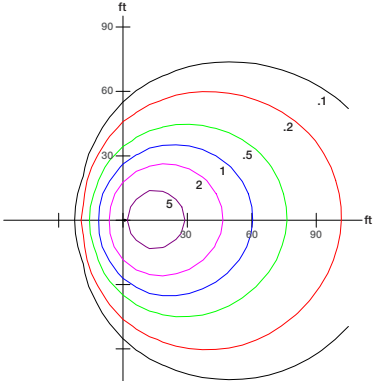
60W luminaire, 90° beam angle, mounted at 20' height, tilted 45°



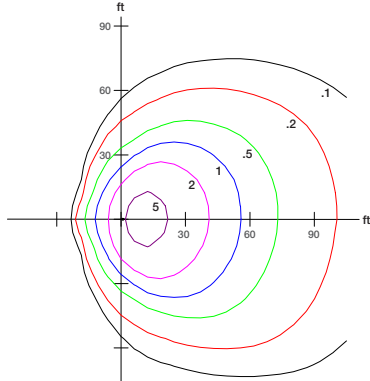
140W luminaire, 55° beam angle, mounted at 30' height, tilted 45°



140W luminaire, 75° beam angle, mounted at 30' height, tilted 45°



140W luminaire, 90° beam angle, mounted at 30' height, tilted 45°



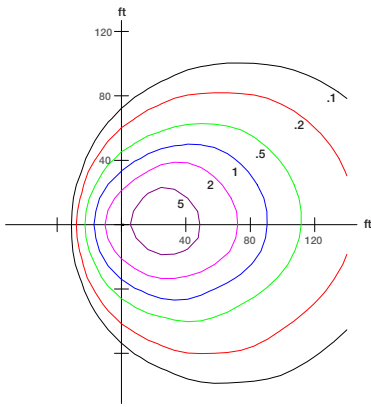
30W	MOUNTING HEIGHT (FT)	10	12	15	18	20	22
	MULTIPLIER	2.25	1.56	1	0.69	0.56	0.46
60W	MOUNTING HEIGHT (FT)	12	15	18	20	22	25
	MULTIPLIER	2.78	1.78	1.23	1	0.83	0.64
140W	MOUNTING HEIGHT (FT)	20	22	25	30	35	40
	MULTIPLIER	2.25	1.86	1.44	1	0.73	0.56

- Multiply the footcandle levels in the diagram according to the desired installation height
- Each tick on the diagram represents a multiple of the mounting height from the fixture

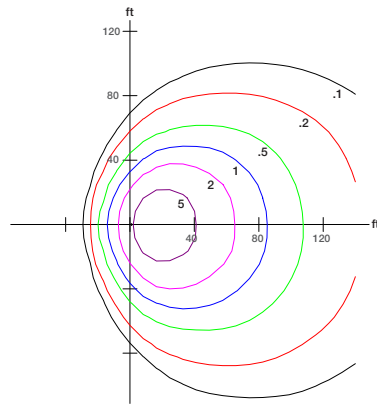
PHOTOMETRIC INFORMATION (CONTINUED)

HORIZONTAL ISO FOOT-CANDLE PLOT

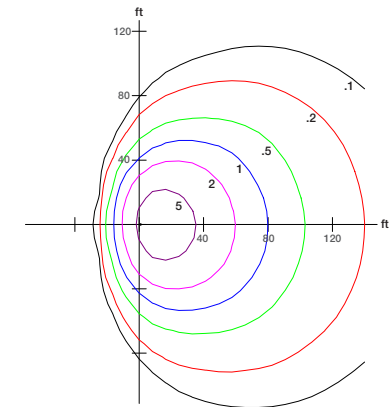
300W luminaire, 55° beam angle, mounted at 40' height, tilted 45°



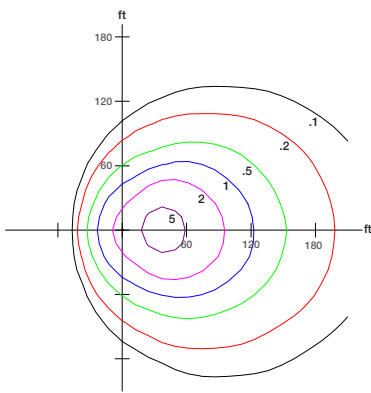
300W luminaire, 75° beam angle, mounted at 40' height, tilted 45°



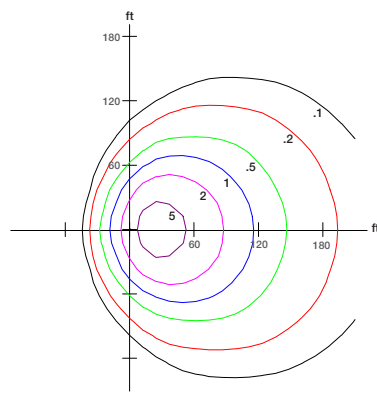
300W luminaire, 90° beam angle, mounted at 40' height, tilted 45°



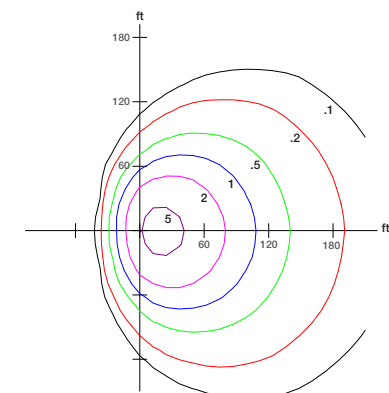
470W luminaire, 55° beam angle, mounted at 60' height, tilted 45°



470W luminaire, 75° beam angle, mounted at 60' height, tilted 45°



470W luminaire, 90° beam angle, mounted at 60' height, tilted 45°



300W	MOUNTING HEIGHT (FT)	25	30	35	40	45	50
	MULTIPLIER	2.56	1.78	1.31	1	0.79	0.64
470W	MOUNTING HEIGHT (FT)	45	50	55	60	65	70
	MULTIPLIER	1.78	1.44	1.19	1	0.85	0.73

- Multiply the footcandle levels in the diagram according to the desired installation height
- Each tick on the diagram represents a multiple of the mounting height from the fixture

WATTAGE COMPARISON

LED SOURCE WATTAGE/LUMENS	REPLACES TRADITIONAL SOURCE	ENERGY SAVINGS	
30W / 4,350lm	HPS/MH	up to 175W	83%
60W / 8,700lm		up to 350W	83%
140W / 20,300lm		up to 750W	81%
300W / 43,500lm		up to 1000W	70%
470W / 68,150lm		up to 1500W	69%

LEDVANCE LLC
181 Ballardvale Street, Suite 203
Wilmington, MA 01887 USA
Phone 1-800-LIGHTBULB (1-800-544-4828)
www.ledvanceUS.com

LEDVANCE is a registered trademark.
All other trademarks are those of their respective owners.
Specifications subject to change without notice.



SCAN TO FOLLOW US
ON SOCIAL MEDIA