

# LEDVANCE LUMINAIRES OPTI-SELECT WALL PACK

## OPTISELECT

### LEDVANCE LUMINAIRE SPECIFICATION DATA

Catalog #	Comments
Project	
Type	
Prepared by	

### PERFORMANCE CLASS™



### APPLICATION

The LEDVANCE Performance Class OPTI-SELECT Wall Pack is built for maximum versatility with the revolutionary OPTI-SELECT technology, allowing beam adjustment (Narrow, Medium and Wide) at the flip of a switch — effortless and perfect throw without swapping lenses. Built for maximum adaptability, it's also CCT and Wattage Selectable, Controls Ready and features an integrated photocell. From walkways and building facades to parking lots and perimeters, the OPTI-SELECT WALL PACK simplifies installation, enhances efficiency, and provides unmatched flexibility.

### BENEFITS & FEATURES

- OPTI-SELECT: narrow, medium and wide throw adjustable via switch; No lens swap needed
- Up to 150 LPW
- Selectable color temperature: 3000/4000/5000K
- CRI>80
- Selectable wattage and lumens:
  - 25/32/40W | 3750/4800/6000 lm
  - 40/50/60W | 6000/7500/9000 lm
  - 50/65/80W | 7500/9750/12000 lm
  - 80/100/120W | 12000/15000/18000 lm
- DLC 5.1 Premium listing assures high energy efficiency and qualifies this product for utility rebates
- Ready for field installable standalone sensors, no wiring required
- Integrated photocell that can be disabled in the field
- Glass Lens



LEDLUM235R1 5-25

# OPTISELECT



## Adjustable Throw:

Throw adjustable via switch: narrow, medium, wide



### ELECTRICAL

- 120-347 V<sub>AC</sub>
- Power Factor >0.9
- THD <20%
- Dimmable 0-10V
- Surge Protection:
  - 4kV (40W)
  - 6kV (60/80/120W)

### RATED LIFE

- 100,000 hours (L<sub>70</sub>) @ 25°C ambient

### OPERATING TEMPERATURE

- 40W/120W: -40°F to +113°F (-40°C to +45°C)
- 60W/80W: -40°F to +122°F (-40°C to +50°C)

### WARRANTY

- 5 year
- NLB Trusted Warranty Program

### CERTIFICATIONS & LISTINGS

- cULus listed to UL1598 standards
- RoHs
- FCC
- IP65, wet location rated
- DLC 5.1 Premium

### INSTALLATION

- Wall mount



INSTALLATION GUIDE

## ORDERING GUIDE

WALPAKN	P	SXXX	UNH	D	8	SC2	ADJ	BZ	X
PRODUCT NAME	SEGMENTATION	WATTAGE	VOLTAGE	DIMMING	CRI	COLOR TEMPERATURE	OPTICS	COLOR/FINISH	OPTIONS
WALPAKN = Non Cut Off Wall Pack Luminaire	P = Performance Class	S040 = 25/32/40W S060 = 40/50/60W S080 = 50/65/80W S120 = 80/100/120W	UNH = 120-347V	D = 0-10V Dimmable	8 = >80	SC2 = 3000/4000/5000K	ADJ = Adjustable	BZ = Bronze	P = Photocell E = EMBB

## ORDERING INFORMATION

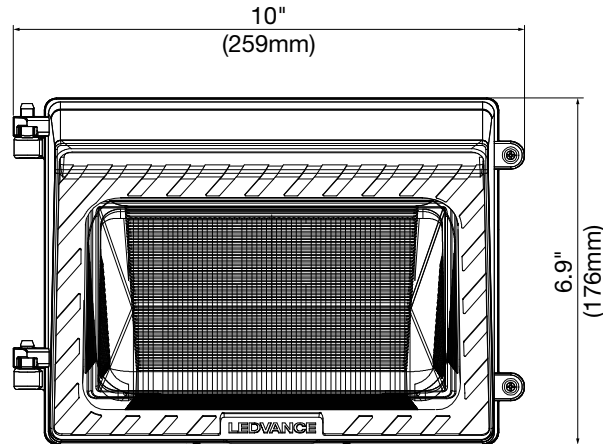
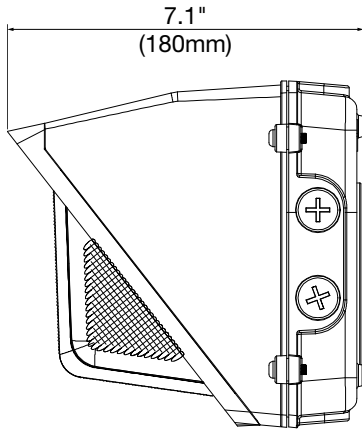
ITEM #	ORDERING ABBREVIATION	WATTAGE (W)	INPUT VOLTAGE (V)	DIM (V)	CRI	CCT	TOTAL LUMENS @ 4000K/ MEDIUM (LM)	DLC	LPW	FINISH	OPTIONS	MTO*
66374	WALPAKNPS040UNHD8SC2ADJBZP	25/32/40	120-347	0-10	>80	3000/4000/5000K	3750/4800/6000	5.1 Prem	150	Bronze	Integrated Photocell	-
66375	WALPAKNPS060UNHD8SC2ADJBZP	40/50/60	120-347	0-10	>80	3000/4000/5000K	6000/7500/9000	5.1 Prem	150	Bronze	Integrated Photocell	-
66376	WALPAKNPS080UNHD8SC2ADJBZP	50/65/80	120-347	0-10	>80	3000/4000/5000K	7500/9750/12000	5.1 Prem	150	Bronze	Integrated Photocell	-
66377	WALPAKNPS120UNHD8SC2ADJBZP	80/100/120	120-347	0-10	>80	3000/4000/5000K	12000/15000/18000	5.1 Prem	150	Bronze	Integrated Photocell	-
66955	WALPAKNPS060UNHD8SC2ADJBZPE	40/50/60	120-347	0-10	>80	3000/4000/5000K	6000/7500/9000	5.1 Prem	160	Bronze	Photocell, EMBB	✓
66956	WALPAKNPS080UNHD8SC2ADJBZPE	50/65/80	120-347	0-10	>80	3000/4000/5000K	7500/9750/12000	5.1 Prem	160	Bronze	Photocell, EMBB	✓
66957	WALPAKNPS120UNHD8SC2ADJBZPE	80/100/120	120-347	0-10	>80	3000/4000/5000K	12000/15000/18000	5.1 Prem	160	Bronze	Photocell, EMBB	✓

\* Made To Order

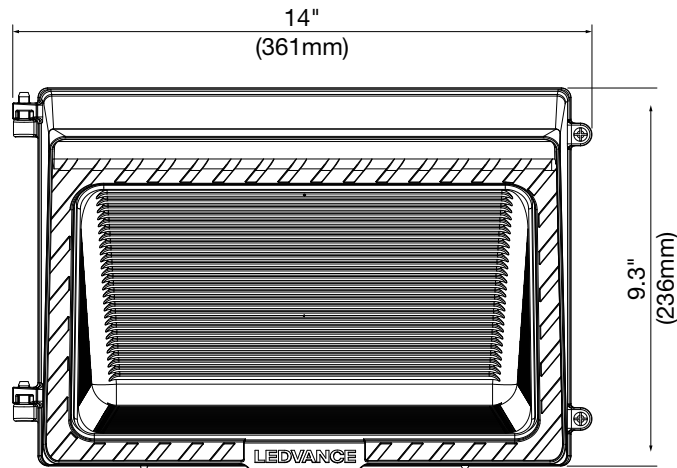
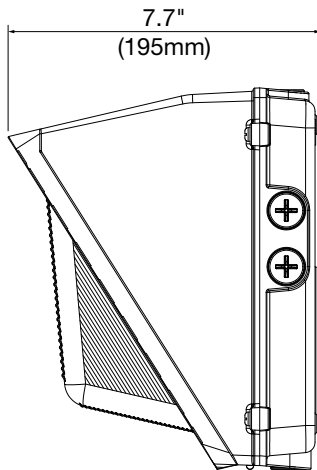
## PHYSICAL INFORMATION

PRODUCT DESCRIPTION	LENGTH IN (MM)	WIDTH IN (MM)	HEIGHT IN (MM)	WEIGHT LB(KG)
40W	10 (259)	6.9 (176)	7.1 (180)	4.6 (2.1)
60W/80W	14 (361)	9.3 (236)	7.7 (195)	9.0 (4.1)
120W	14 (361)	9.3 (236)	7.7 (195)	9.3 (4.2)

### 40W



### 60W/80W/120W



## WATTAGE COMPARISON

LED SOURCE WATTAGE/LUMENS	REPLACES TRADITIONAL SOURCE	ENERGY SAVINGS
40W/6,000lm	MH/HPS	100W
60W/9,000lm		150W
80W/12,000lm		250W
120W/18,000lm		400W

## BUG RATING

	NARROW	MEDIUM	WIDE
40W	B2-U3-G2	B1-U4-G3	B1-U4-G4
60W	B3-U3-G3	B2-U5-G5	B1-U5-G5
80W	B3-U3-G3	B2-U5-G5	B1-U5-G5
120W	B3-U4-G4	B3-U5-G5	B1-U5-G5

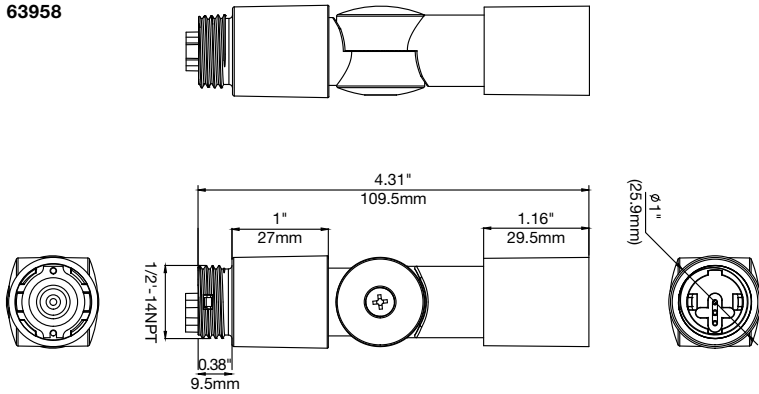
## ACCESSORIES

ITEM #	ORDERING ABBREVIATION	ITEM DESCRIPTION
<b>Sensors</b>		
63958	WALPAKN9ASENSORADAPTOR	Daylight/Motion Sensor Adapter — Adapter is required to install the sensor
62664	HIGHBAYPIRMOTIONDAYSENSOR2	Field installable PIR Motion/Daylight Sensor, IP65, Max. mounting height 39ft, White
65622*	HIGHBAYMOTIONDAYSENSOR	Field installable Microwave Motion/Daylight Sensor, IP65, Max. mounting height 49ft, White
65623	REMOTE/MOTIONDAY/001	Remote control for Motion/Daylight Sensors – Remote is required to change default settings

\*Microwave sensors are not recommended for outdoor use. Microwave sensors are highly sensitive. Metal, glass, windows, industrial fans, and large obstructions can all generate false triggering. Based on installation, PIR sensor may be a better option, although extreme heat or cold can reduce sensitivity or cause false triggers. For additional application notes, please go to: <https://assets3.ledvanceus.com/media/resource/original/asset-13239171>

## SENSOR ADAPTER

63958



The adapter is always required for proper installation. No wiring is necessary. To ensure compatibility, the top cap included with the adapter must be removed to expose the 3-pin base.

## BATTERY INFORMATION

- Type: LiFePO4
- Standby power: 1.0W max.
- Charging time: 24h min.
- Charging power: 0.5W max.
- Power in Emergency Mode: 8W
- Discharge time: 90 minutes

## OPTIONAL MOTION/DAYLIGHT SENSOR DEFAULT SETTINGS

Detection Area	100%
Hold time – Time fixtures stays at 100% after last motion before dimming	10 minutes
Daylight threshold – Light level above which lights will remain off	50 Lux
Stand-by period – Time light remains dimmed before shutting off	60 minutes
Stand-by Dimming – dimming level of light during the stand-by period	30%



**MOTION SENSOR  
(62664)**



**REMOTE  
(65623)**



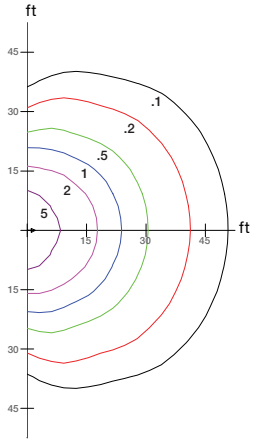
SPEC SHEET

# PHOTOMETRIC INFORMATION

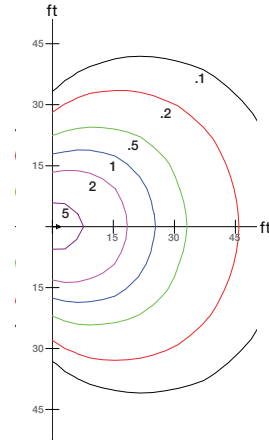
LEDVANCE provides lighting layout services on request — please contact your sales representative.

## HORIZONTAL ISO FOOT-CANDLE PLOT

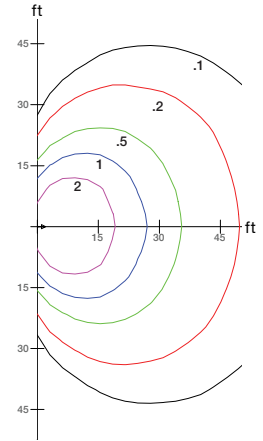
**40W luminaire, narrow, mounted at 15'**



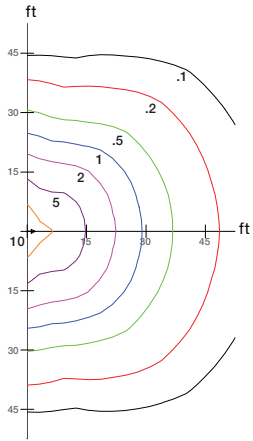
**40W luminaire, medium, mounted at 15'**



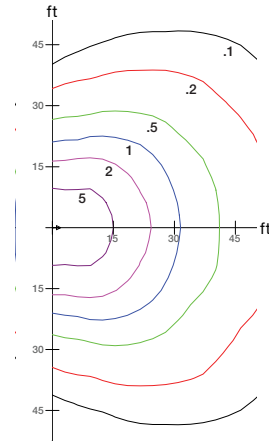
**40W luminaire, wide, mounted at 15'**



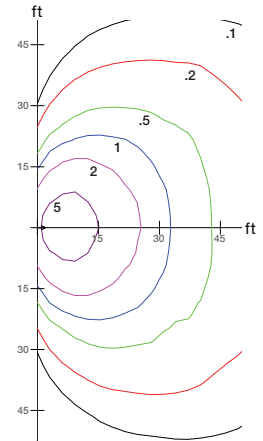
**60W luminaire, narrow, mounted at 15'**



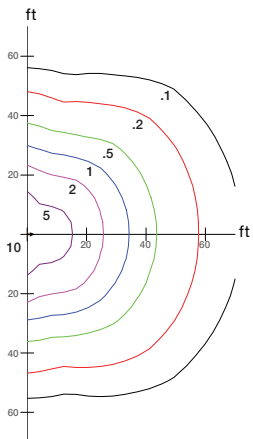
**60W luminaire, medium, mounted at 15'**



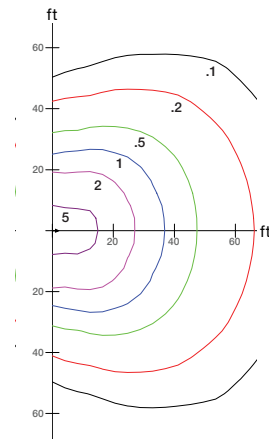
**60W luminaire, wide, mounted at 15'**



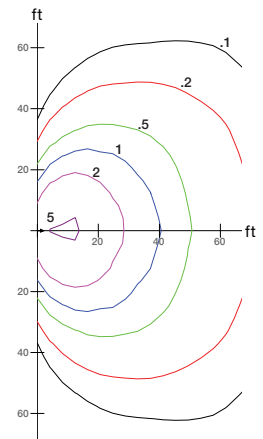
**80W luminaire, narrow, mounted at 20'**



**80W luminaire, medium, mounted at 20'**



**80W luminaire, wide, mounted at 20'**

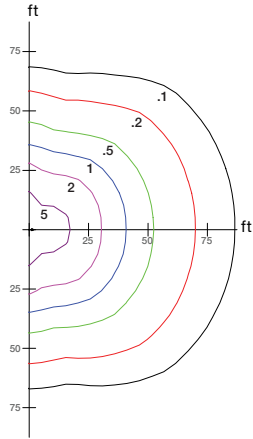


## PHOTOMETRIC INFORMATION (CONTINUED)

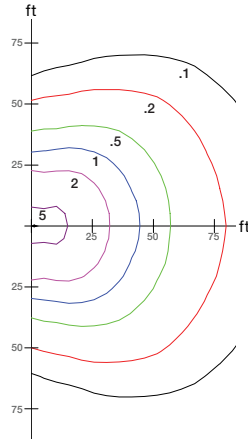
LEDVANCE provides lighting layout services on request — please contact your sales representative.

### HORIZONTAL ISO FOOT-CANDLE PLOT

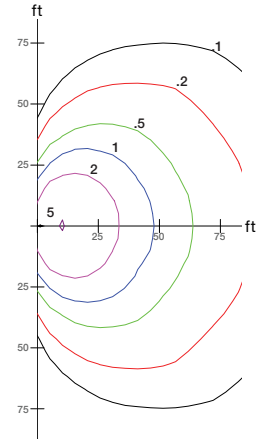
**120W luminaire, narrow, mounted at 25'**



**120W luminaire, medium, mounted at 25'**



**120W luminaire, wide, mounted at 25'**



<b>MOUNTING HEIGHT (FT)</b>	10	12	15	18	20
<b>MULTIPLIER</b>	2.25	1.56	1	0.69	0.56
<b>MOUNTING HEIGHT (FT)</b>	15	18	20	22	25
<b>MULTIPLIER</b>	1.78	1.23	1	0.83	0.64
<b>MOUNTING HEIGHT (FT)</b>	18	20	25	27	30
<b>MULTIPLIER</b>	1.93	1.56	1	0.86	0.69

- Multiply the footcandle levels in the diagram according to the desired installation height
- Each tick on the diagram represents a multiple of the mounting height from the fixture

LEDVANCE LLC  
 181 Ballardvale Street, Suite 203  
 Wilmington, MA 01887 USA  
 Phone 1-800-LIGHTBULB (1-800-544-4828)  
[www.ledvanceUS.com](http://www.ledvanceUS.com)

LEDVANCE is a registered trademark.  
 All other trademarks are those of their respective owners.  
 Specifications subject to change without notice.



SCAN TO FOLLOW US  
 ON SOCIAL MEDIA