

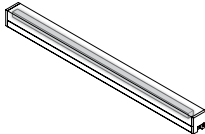
**OVERVIEW**

CHROMAPATH<sup>®</sup> Bundle Channels are ready for loading tape light in the field. These channels protect indoor LED tape light by providing a rigid, dust proof housing that can be mounted on virtually any flat surface. These channels are sold in 48 inch bundles and help create sleek, completely customized LED tape lighting installations.

*CHROMAPATH Bundle Channels are not available in the Custom Fully Loaded Channel program. For Fully Loaded options see the 'CHROMAPATH Builder Channels' Specification Sheet.*

**FEATURES & BENEFITS**

- Industrial extrusions for custom lighting
- Bundles include: channel, lens, mounting clips, and end caps (mounting clips for surface & suspended mount channels only)
- Channels act as a heat sink, cooling and prolonging the LED tape light lifespan
- Provides additional defense from dust and debris, protecting the LED investment
- 5-Year Warranty



**PREMIUM DIFFUSED OPTIONS**  
Channels listed below eliminate LED hotspots by creating totally diffused linear light when paired with compatible tape light. See pg. 7 for compatible tape lights.

**20mm SQUARE CORNER**  
**20mm ROUNDED CORNER**  
**SCONCE**  
**CANAL**

|         |  |
|---------|--|
| Item #  |  |
| Project |  |

## SPECIFICATIONS

- Material: Aluminum
- Finish: Clear anodized aluminum, Black powder coat, or White paint
- Mounting Clip Material: Steel
- End Cap Material: PVC
- Cover Material: Polycarbonate
- Field Cuttable: Yes
- Mounting: Clips included. Additional clips available
- Dimensions: See Mechanical Diagrams
- Warranty: 5 years

## Environmental Requirements

- Suitable for indoor dry/damp location use

## Compliance & Regulatory Approvals

- Meets the following certifications when installed with compatible UL Listed tape light:

UL Listed 2108. UL 1598 / CSA 250.0-08, UL 8750. UL 879 / CAN/ CSA-C22.2 no. 207-M89. E469769 (UL Listed), E469770 (SAME Manual). 12V models are suitable for installation in a clothes closet.

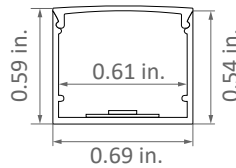
## CHROMAPATH® BUNDLE CHANNELS

**NOTE:** CHROMAPATH Bundles are **not** interchangeable with each other **nor** compatible with CHROMAPATH Builder channels.

### CANAL CHANNEL

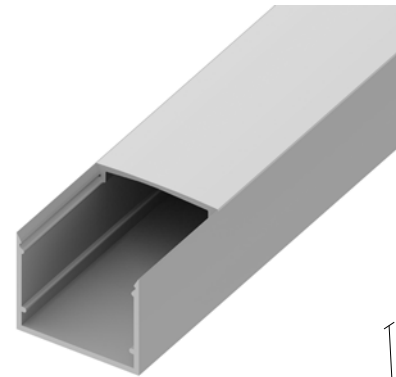
#### TAPE LIGHT COMPATIBILITY:

BLAZE™ BASICS      \*DAZZLE® RGB  
 BLAZE™ X            \*DAZZLE® RGBW  
 \*VALENT® X        \*DAZZLE® RGBW 4D



\*Soldered lead only

| SKU              | OPTION                     | INCLUDES   |
|------------------|----------------------------|--|
| DI-CPCHB-CAN48   | 48 in. Bundle              | <ul style="list-style-type: none"> <li>• 48 in. channel &amp; frosted cover</li> <li>• 2x surface mounting clips</li> <li>• End caps: 1x open, 1x closed.</li> </ul> |
| DI-CHCPB-CAN96   | 96 in. Bundle              | <ul style="list-style-type: none"> <li>• 96 in. channel &amp; frosted cover</li> <li>• 4x surface mounting clips</li> <li>• End caps: 2x open, 2x closed.</li> </ul> |
| DI-CHCPB-CAN-ACC | Additional End Cap Bundles | <ul style="list-style-type: none"> <li>• 2x open, 2x closed End Caps</li> <li>• 4x surface mounting clips</li> </ul>   |



#### FINISHES



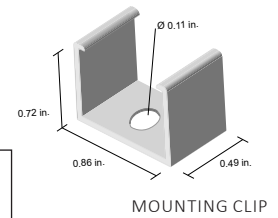
Aluminum



Satin Black



Glossy White

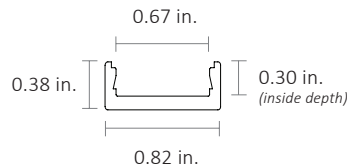


MOUNTING CLIP

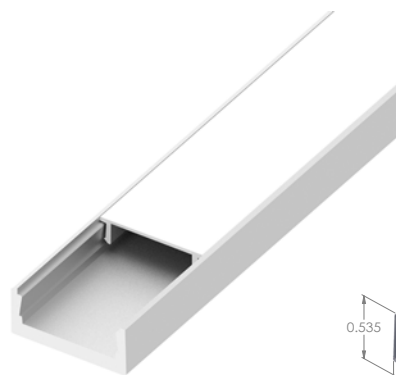
### SLIM CHANNEL

#### TAPE LIGHT COMPATIBILITY:

BLAZE™ BASICS      DAZZLE® RGB  
 BLAZE™ X            DAZZLE® RGBW  
 VALENT® X        DAZZLE® RGBW 4D



| SKU            | OPTION        | INCLUDES   |
|----------------|---------------|--|
| DI-CPCHB-SL-48 | 48 in. Bundle | <ul style="list-style-type: none"> <li>• 48 in. channel &amp; frosted cover</li> <li>• 2x mounting clips with screws</li> <li>• End caps: 1x open, 1x closed.</li> </ul> |
| DI-CPCHB-SL-96 | 96 in. Bundle | <ul style="list-style-type: none"> <li>• 96 in. channel &amp; frosted cover</li> <li>• 4x mounting clips with screws</li> <li>• End caps: 2x open, 2x closed.</li> </ul> |



#### FINISHES



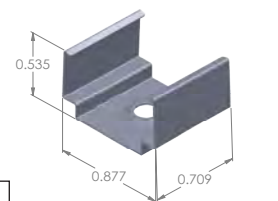
Aluminum



Satin Black



Glossy White



MOUNTING CLIP

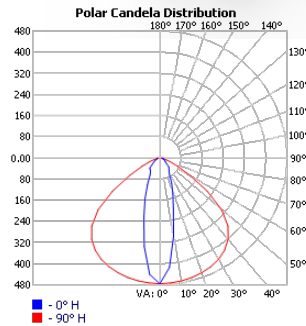
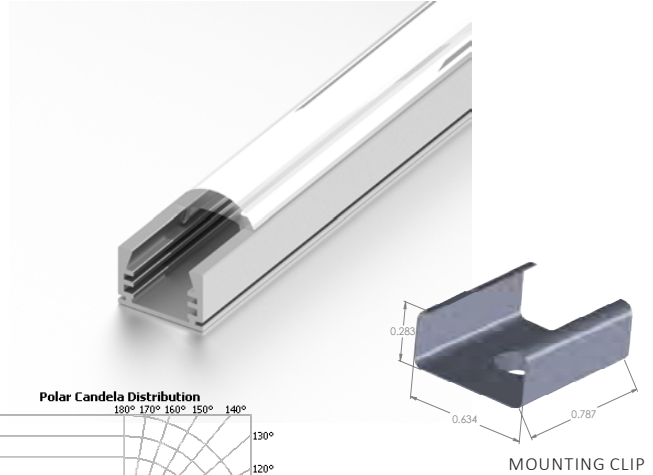
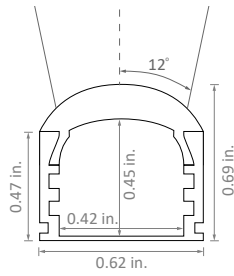
# CHROMAPATH® BUNDLE CHANNELS CONT.

**NOTE:** CHROMAPATH Bundles are **not** interchangeable with each other **nor** compatible with CHROMAPATH Builder channels.

## NARROW BEAM GRAZER CHANNEL

### TAPE LIGHT COMPATIBILITY:

BLAZE™ BASICS      BLAZE™ COLORS  
BLAZE™ X

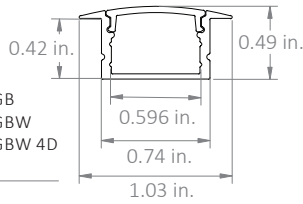


| SKU               | OPTION                     | INCLUDES   |
|-------------------|----------------------------|--|
| DI-CPCHB-GZRN-48  | 48 in. Bundle              | <ul style="list-style-type: none"> <li>48 in. channel &amp; clear lens</li> <li>End caps: 1x open, 1x closed</li> <li>2x mounting clips</li> </ul> |
| DI-CPCHB-GZRN-96  | 96 in. Bundle              | <ul style="list-style-type: none"> <li>96 in. channel &amp; clear lens</li> <li>End caps: 2x open, 2x closed</li> <li>4x mounting clips</li> </ul> |
| DI-CPCHB-GZRN-ACC | Additional End Cap Bundles | <ul style="list-style-type: none"> <li>2x open end caps, 2x closed end caps, 4x mounting clips</li> </ul>  |

## CHROMAPATH® BUNDLE RECESSED

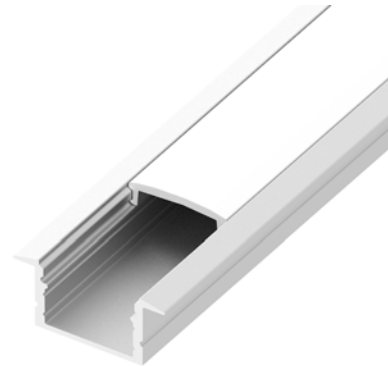
### TAPE LIGHT COMPATIBILITY:

BLAZE™ BASICS      \*DAZZLE® RGB  
BLAZE™ X            \*DAZZLE® RGBW  
\*VALENT® X        \*DAZZLE® RGBW 4D



\*Soldered lead only

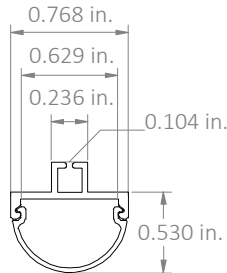
| SKU              | PRODUCT INCLUDES   |
|------------------|--|
| DI-CPCHB-REC-48  | <ul style="list-style-type: none"> <li>48 in. channel &amp; frosted cover</li> <li>End-caps: 1x open, 1x closed</li> </ul> |
| DI-CPCHB-REC-96  | <ul style="list-style-type: none"> <li>96 in. channel &amp; frosted cover</li> <li>End-caps: 2x open, 2x closed</li> </ul> |
| DI-CPCHB-REC-ACC | <ul style="list-style-type: none"> <li>End caps: 2x open, 2x closed</li> <li>4x surface mounting clips</li> </ul>          |



## CHROMAPATH® BUNDLE DOME

### TAPE LIGHT COMPATIBILITY:

BLAZE™ BASICS      \*DAZZLE® RGB  
BLAZE™ X            \*DAZZLE® RGBW  
\*VALENT® X        \*DAZZLE® RGBW 4D



\*Soldered lead only

| SKU               | PRODUCT INCLUDES  |
|-------------------|---|
| DI-CPCHB-DOME-48  | <ul style="list-style-type: none"> <li>48 in. channel &amp; frosted cover</li> <li>End caps: 1x open, 1x closed</li> <li>2x pendant hardware (39" L)</li> </ul> |
| DI-CPCHB-DOME-96  | <ul style="list-style-type: none"> <li>96 in. channel &amp; frosted cover</li> <li>End caps: 2x open, 2x closed</li> <li>2x pendant hardware (39" L)</li> </ul> |
| DI-CPCHB-DOME-ACC | <ul style="list-style-type: none"> <li>End caps: 2x open, 2x closed</li> <li>2x pendant hardware (39" L)</li> </ul>   |



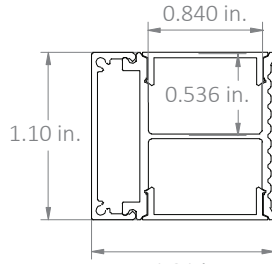
# CHROMAPATH® BUNDLE CHANNELS

**NOTE:** CHROMAPATH Bundles are **not** interchangeable with each other **nor** compatible with CHROMAPATH Builder channels.

## CHROMAPATH® BUNDLE SCONCE

### TAPE LIGHT COMPATIBILITY:

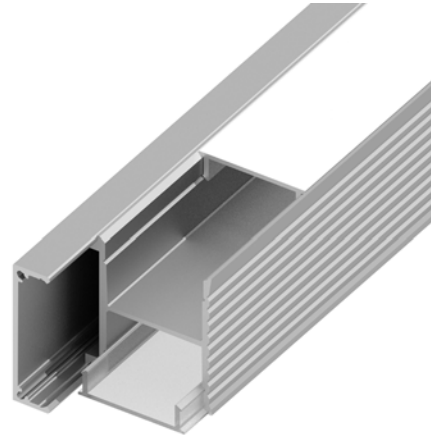
BLAZE™ BASICS      DAZZLE® RGB  
BLAZE™ X            DAZZLE® RGBW  
VALENT® X



### PREMIUM DIFFUSED TAPE LIGHT COMPATIBILITY:

Compatible tape light and channel eliminates LED hotspots by creating totally diffused linear light. See page 7 for details.

BLAZE™ BASICS      BLAZE™ X

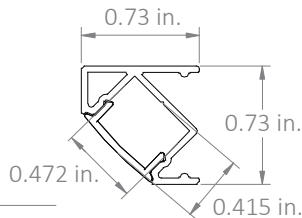


| SKU               | PRODUCT INCLUDES   |
|-------------------|--|
| DI-CPCHB-SCNC-48  | <ul style="list-style-type: none"> <li>48 in. channel &amp; mounting plate, 2x frosted covers</li> <li>End caps: 1x open, 1x closed</li> </ul> |
| DI-CPCHB-SCNC-96  | <ul style="list-style-type: none"> <li>96 in. channel &amp; mounting plate, 2x frosted covers</li> <li>End caps: 1x open, 1x closed</li> </ul> |
| DI-CPCHB-SCNC-ACC | <ul style="list-style-type: none"> <li>End caps: 2x open, 2x closed</li> </ul>   |

## CHROMAPATH® BUNDLE 45° DECO

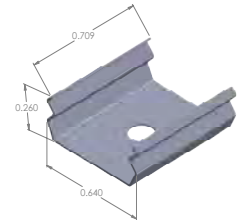
### TAPE LIGHT COMPATIBILITY:

BLAZE™ BASICS      \*DAZZLE® RGB  
BLAZE™ X



\*Soldered lead only

| SKU                | PRODUCT INCLUDES  |
|--------------------|---|
| DI-CPCHB-45DCO-48  | <ul style="list-style-type: none"> <li>48 in. channel &amp; frosted cover</li> <li>End-caps: 1x open, 1x closed</li> <li>Mounting hardware</li> </ul> |
| DI-CPCHB-45DCO-96  | <ul style="list-style-type: none"> <li>96 in. channel &amp; frosted cover</li> <li>End-caps: 2x open, 2x closed</li> <li>Mounting hardware</li> </ul> |
| DI-CPCHB-45DCO-ACC | <ul style="list-style-type: none"> <li>End caps: 2x open, 2x closed</li> <li>4x surface mounting clips</li> </ul>                                     |

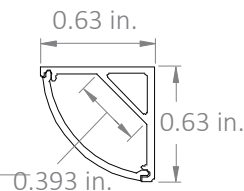


MOUNTING CLIP

## CHROMAPATH® BUNDLE 10mm ROUNDED CORNER

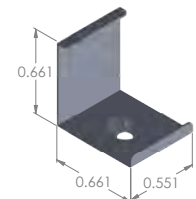
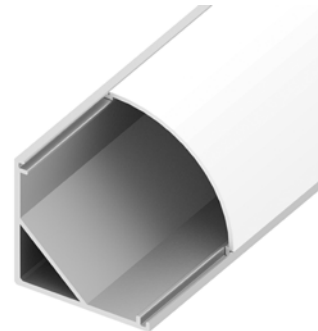
### TAPE LIGHT COMPATIBILITY:

BLAZE™ BASICS  
BLAZE™ X



\*Soldered lead only

| SKU               | PRODUCT INCLUDES  |
|-------------------|---|
| DI-CPCHB-RC10-48  | <ul style="list-style-type: none"> <li>48 in. channel &amp; frosted cover</li> <li>End-caps: 1x open, 1x closed</li> <li>Mounting hardware</li> </ul> |
| DI-CPCHB-RC10-96  | <ul style="list-style-type: none"> <li>96 in. channel &amp; frosted cover</li> <li>End-caps: 2x open, 2x closed</li> <li>Mounting hardware</li> </ul> |
| DI-CPCHB-RC10-ACC | <ul style="list-style-type: none"> <li>End caps: 2x open, 2x closed</li> <li>4x surface mounting clips</li> </ul>                                     |



MOUNTING CLIP

# CHROMAPATH® BUNDLE CHANNELS

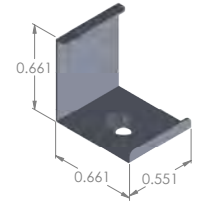
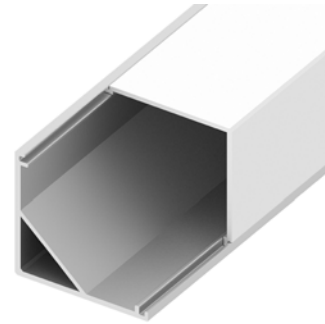
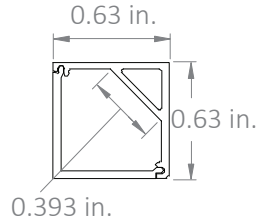
**NOTE:** CHROMAPATH Bundles are **not** interchangeable with each other **nor** compatible with CHROMAPATH Builder channels.

## CHROMAPATH® BUNDLE 10mm SQUARE CORNER

### TAPE LIGHT COMPATIBILITY:

BLAZE™ BASICS  
BLAZE™ X

\* Soldered leads only



MOUNTING CLIP

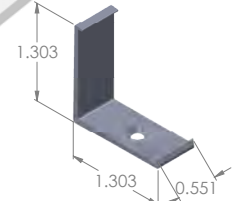
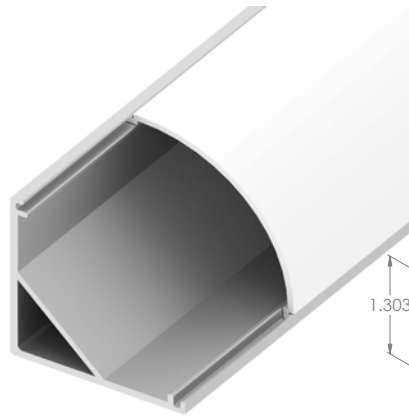
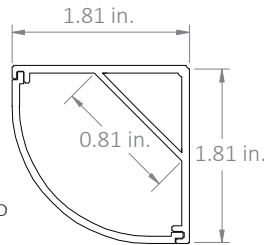
| SKU                | PRODUCT INCLUDES  |
|--------------------|---|
| DI-CPCHB-SQC10-48  | <ul style="list-style-type: none"> <li>48 in. channel &amp; frosted cover</li> <li>End-caps: 1x open, 1x closed</li> <li>Mounting hardware</li> </ul> |
| DI-CPCHB-SQC10-96  | <ul style="list-style-type: none"> <li>96 in. channel &amp; frosted cover</li> <li>End-caps: 2x open, 2x closed</li> <li>Mounting hardware</li> </ul> |
| DI-CPCHB-SQC10-ACC | <ul style="list-style-type: none"> <li>End caps: 2x open, 2x closed</li> <li>4x surface mounting clips</li> </ul>                                     |

## CHROMAPATH® BUNDLE 20mm ROUNDED CORNER

### PREMIUM DIFFUSED TAPE LIGHT COMPATIBILITY:

Compatible tape light and channel eliminates LED hotspots by creating totally diffused linear light. See page 7 for details.

BLAZE™ BASICS      DAZZLE® RGB  
BLAZE™ X            DAZZLE® RGBW  
VALENT® X        DAZZLE® RGBW 4D



MOUNTING CLIP

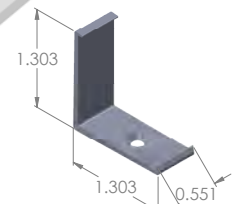
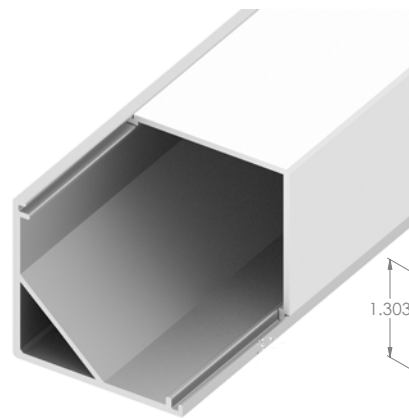
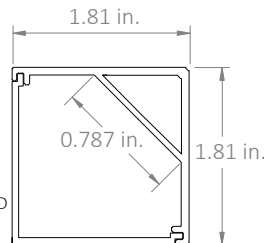
| SKU               | PRODUCT INCLUDES  |
|-------------------|---|
| DI-CPCHB-RC20-48  | <ul style="list-style-type: none"> <li>48 in. channel &amp; frosted cover</li> <li>End-caps: 1x open, 1x closed</li> <li>Mounting hardware</li> </ul> |
| DI-CPCHB-RC20-96  | <ul style="list-style-type: none"> <li>96 in. channel &amp; frosted cover</li> <li>End-caps: 2x open, 2x closed</li> <li>Mounting hardware</li> </ul> |
| DI-CPCHB-RC20-ACC | <ul style="list-style-type: none"> <li>End caps: 2x open, 2x closed</li> <li>4x surface mounting clips</li> </ul>                                     |

## CHROMAPATH® BUNDLE 20mm SQUARE CORNER

### PREMIUM DIFFUSED TAPE LIGHT COMPATIBILITY:

Compatible tape light and channel eliminates LED hotspots by creating totally diffused linear light. See page 7 for details.

BLAZE™ BASICS      DAZZLE® RGB  
BLAZE™ X            DAZZLE® RGBW  
VALENT® X        DAZZLE® RGBW 4D



MOUNTING CLIP

| SKU                | PRODUCT INCLUDES  |
|--------------------|---|
| DI-CPCHB-SQC20-48  | <ul style="list-style-type: none"> <li>48 in. channel &amp; frosted cover</li> <li>End-caps: 1x open, 1x closed</li> <li>Mounting hardware</li> </ul> |
| DI-CPCHB-SQC20-96  | <ul style="list-style-type: none"> <li>96 in. channel &amp; frosted cover</li> <li>End-caps: 2x open, 2x closed</li> <li>Mounting hardware</li> </ul> |
| DI-CPCHB-SQC20-ACC | <ul style="list-style-type: none"> <li>End caps: 2x open, 2x closed</li> <li>4x surface mounting clips</li> </ul>                                     |

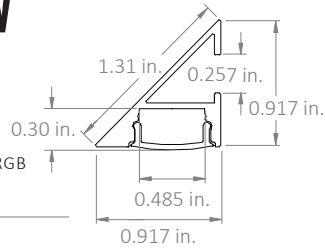
# CHROMAPATH® BUNDLE CHANNELS

**NOTE:** CHROMAPATH Bundles are **not** interchangeable with each other **nor** compatible with CHROMAPATH Builder channels.

## CHROMAPATH® BUNDLE 90° SIDEVIEW

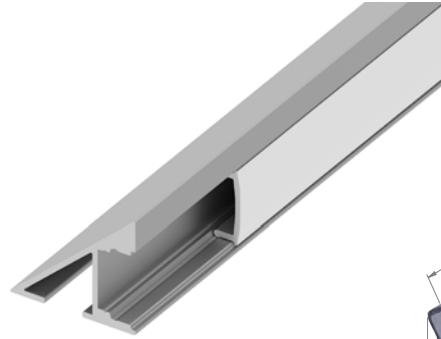
### TAPE LIGHT COMPATIBILITY:

BLAZE™ BASICS \*DAZZLE® RGB  
BLAZE™ X



\*Soldered lead only

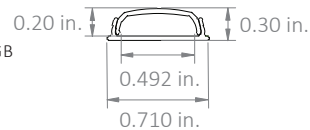
| SKU               | PRODUCT INCLUDES  |
|-------------------|---|
| DI-CPCHB-90SD-48  | <ul style="list-style-type: none"> <li>48 in. channel &amp; frosted cover</li> <li>End-caps: 1x open, 1x closed</li> <li>Mounting hardware</li> </ul> |
| DI-CPCHB-90SD-96  | <ul style="list-style-type: none"> <li>96 in. channel &amp; frosted cover</li> <li>End-caps: 2x open, 2x closed</li> <li>Mounting hardware</li> </ul> |
| DI-CPCHB-90SD-ACC | <ul style="list-style-type: none"> <li>End caps: 2x open, 2x closed</li> <li>4x surface mounting clips</li> </ul>                                     |



## CHROMAPATH® BUNDLE WAVEFORM

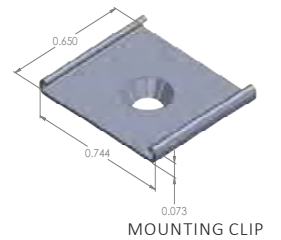
### TAPE LIGHT COMPATIBILITY:

\*BLAZE™ \*BASICS \*DAZZLE® RGB  
\*BLAZE™ X  
\*VALENT® X



\*Soldered lead only

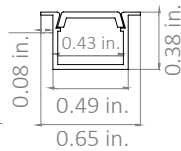
| SKU             | PRODUCT INCLUDES  |
|-----------------|---|
| DI-CPCHB-WF-48  | <ul style="list-style-type: none"> <li>48 in. channel &amp; frosted cover</li> <li>End caps: 1x open, 1x closed</li> <li>2x mounting clips</li> </ul> |
| DI-CPCHB-WF-ACC | <ul style="list-style-type: none"> <li>End caps: 2x open, 2x closed</li> <li>4x mounting clips</li> </ul>   |



## CHROMAPATH® BUNDLE SLIM RECESSED

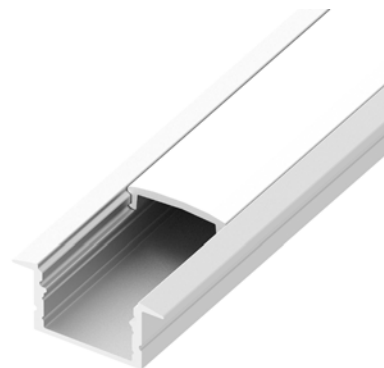
### TAPE LIGHT COMPATIBILITY:

\*BLAZE™ BASICS  
\*BLAZE™ X



\*Soldered lead only

| SKU            | OPTION                     | INCLUDES   |
|----------------|----------------------------|--|
| DI-CPCHA-SLR48 | 48 in. Bundle              | <ul style="list-style-type: none"> <li>48 in. channel &amp; frosted cover</li> <li>End caps: 1x open square, 1x open round, 1x closed square.</li> </ul> |
| DI-CPCHA-SLR96 | 96 in. Bundle              | <ul style="list-style-type: none"> <li>96 in. channel &amp; frosted cover</li> <li>End caps: 1x open square, 1x open round, 1x closed square.</li> </ul> |
| DI-CPEC-SLR-3  | Additional End Cap Bundles | <ul style="list-style-type: none"> <li>3x open square, 3x open round, 3x closed square</li> </ul>  |



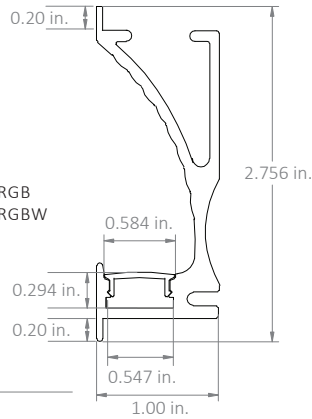
# CHROMAPATH® BUNDLE CHANNELS

**NOTE:** CHROMAPATH Bundles are **not** interchangeable with each other **nor** compatible with CHROMAPATH Builder channels.

## CHROMAPATH® BUNDLE REFLECTOR

### TAPE LIGHT COMPATIBILITY:

- \*BLAZE™ BASICS      \*DAZZLE® RGB
- \*BLAZE™ X            \*DAZZLE® RGBW
- \*VALENT® X



\*Soldered lead only

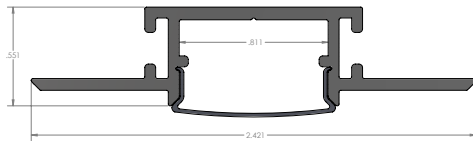
| SKU                | PRODUCT INCLUDES   |
|--------------------|--|
| DI-CPCHB-RFCTR-48  | <ul style="list-style-type: none"> <li>• 48 in. channel &amp; frosted cover</li> <li>• End caps. 1x open, 1x closed</li> </ul> |
| DI-CPCHB-RFCTR-96  | <ul style="list-style-type: none"> <li>• 96 in. channel &amp; frosted cover</li> <li>• End caps. 1x open, 1x closed</li> </ul> |
| DI-CPCHB-RFCTR-ACC | <ul style="list-style-type: none"> <li>• End caps: 2x open, 2x closed</li> </ul>   |



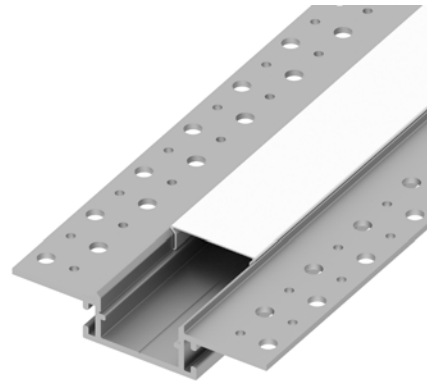
## CHROMAPATH® BUNDLE 1" MUD-IN

### TAPE LIGHT COMPATIBILITY:

- BLAZE™ BASICS
- BLAZE™ X
- VALENT® X
- DAZZLE® RGB



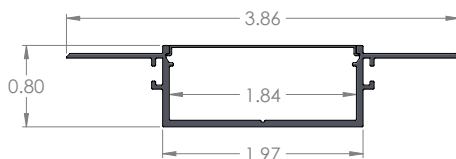
| SKU               | PRODUCT INCLUDES  |
|-------------------|---|
| DI-CPCHB-MUD1-96  | <ul style="list-style-type: none"> <li>• 96 in. channel &amp; opal cover</li> <li>• End caps. 2x open, 2x closed</li> <li>• End to end connectors: 2x</li> </ul>  |
| DI-CPCHB-MUD1-ACC | <ul style="list-style-type: none"> <li>• End caps: 2x open, 2x closed</li> <li>• End to end connectors: 2x</li> <li>• Corner connectors: 2x In, 2x Out</li> </ul> |



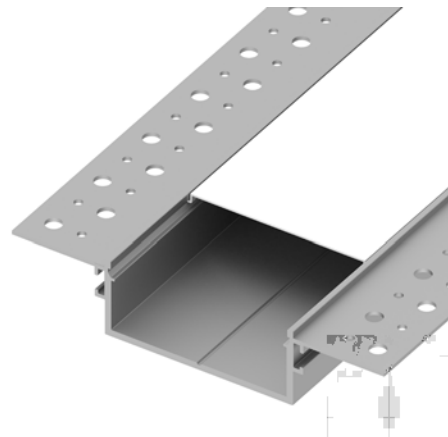
## CHROMAPATH® BUNDLE 2" MUD-IN

### TAPE LIGHT COMPATIBILITY:

- BLAZE™ BASICS
- BLAZE™ X
- VALENT® X
- DAZZLE® RGB



| SKU               | PRODUCT INCLUDES  |
|-------------------|---|
| DI-CPCHB-MUD2-96  | <ul style="list-style-type: none"> <li>• 96 in. channel &amp; opal cover</li> <li>• End caps. 2x open, 2x closed</li> <li>• End to end connectors: 2x</li> </ul>  |
| DI-CPCHB-MUD2-ACC | <ul style="list-style-type: none"> <li>• End caps: 2x open, 2x closed</li> <li>• End to end connectors: 2x</li> <li>• Corner connectors: 2x In, 2x Out</li> </ul> |



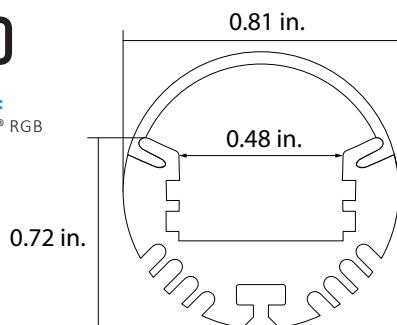
# CHROMAPATH® BUNDLE CHANNELS

NOTE: CHROMAPATH Bundles are **not** interchangeable with each other **nor** compatible with CHROMAPATH Builder channels.

## CHROMAPATH® BUNDLE CLOSET ROD

### TAPE LIGHT COMPATIBILITY:

BLAZE™ BASICS    DAZZLE® RGB  
BLAZE™ X  
VALENT® X

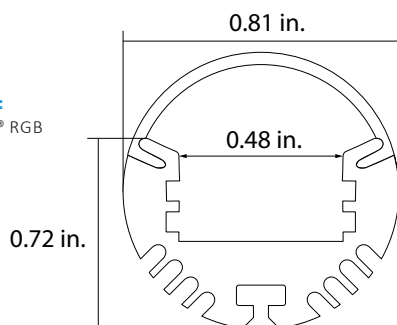


| SKU               | PRODUCT INCLUDES   |
|-------------------|--|
| DI-CPCHB-RDCL-79  | <ul style="list-style-type: none"> <li>79 in. Channel &amp; frosted cover</li> <li>End caps. 1x open, 1x closed, 2x Closet Mounting Bracket, 2x Supports, 2x Rotating Clips</li> </ul> |
| DI-CPCHB-RDCL-ACC | <ul style="list-style-type: none"> <li>2x Closet Mounting Brackets</li> <li>2x Support Brackets</li> </ul>   |

## CHROMAPATH® BUNDLE ART ROD

### TAPE LIGHT COMPATIBILITY:

BLAZE™ BASICS    DAZZLE® RGB  
BLAZE™ X  
VALENT® X

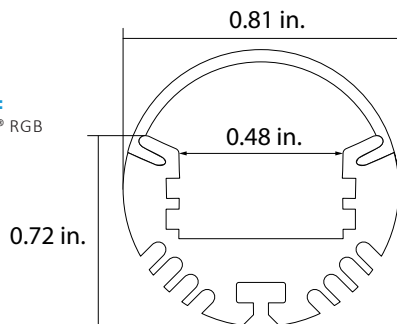


| SKU                | PRODUCT INCLUDES  |
|--------------------|---|
| DI-CPCHB-RDART-79  | <ul style="list-style-type: none"> <li>79 in. Channel &amp; frosted cover</li> <li>End caps. 1x open, 1x closed, 2x Art Lighting Brackets, 2x Rotating Clips</li> </ul> |
| DI-CPCHB-RDART-ACC | <ul style="list-style-type: none"> <li>2x Art Lighting Brackets</li> </ul>  |

## CHROMAPATH® BUNDLE WALL ROD

### TAPE LIGHT COMPATIBILITY:

BLAZE™ BASICS    DAZZLE® RGB  
BLAZE™ X  
VALENT® X



| SKU                | PRODUCT INCLUDES  |
|--------------------|---|
| DI-CPCHB-RDWAL-79  | <ul style="list-style-type: none"> <li>79 in. Channel &amp; frosted cover</li> <li>End caps. 1x open, 1x closed, 2x Wall Arm Brackets, 2x Rotating Clips</li> </ul> |
| DI-CPCHB-RDWAL-ACC | <ul style="list-style-type: none"> <li>2x Wall Arm Brackets</li> </ul>  |

# CHROMAPATH® COMPATIBILITY - CLICKTIGHT® CONNECTOR & PREMIUM DIFFUSED OPTIONS

The following connectors marked with an 'x' are compatible with CHROMAPATH Bundle Channels. Tape Light listed in the 'Premium Diffusion' column will create totally diffused linear light with compatible CHROMAPATH Bundle Channels.

|                         | CLICKTIGHT 8MM | CLICKTIGHT 10MM | TERMINAL CONNECTOR 8MM | TERMINAL CONNECTOR 12MM | CLICKTIGHT RGB | CLICKTIGHT RGBW | <b>PREMIUM DIFFUSION</b><br><i>Compatible tape light and Bundled Channel eliminates LED hotspots by creating totally diffused linear light.</i> |
|-------------------------|----------------|-----------------|------------------------|-------------------------|----------------|-----------------|---|
| WAVEFORM                |                |                 |                        |                         |                |                 |   |
| SLIM RECESSED           |                |                 |                        |                         |                |                 |   |
| RECESSED                | x              | x               | x                      | x                       | x              |                 |   |
| DOME                    | x              | x               | x                      | x                       | x              |                 |   |
| REFLECTOR               |                |                 |                        |                         |                |                 |   |
| SCONCE                  | x              | x               | x                      | x                       | x              | x               | BLAZE™ X, BLAZE™ BASICS, VALENT® X  |
| 45° DECO                | x              |                 | x                      |                         |                |                 |   |
| 10MM ROUNDED CORNER     |                |                 | x                      |                         |                |                 |   |
| 10MM SQUARE CORNER      |                |                 | x                      |                         |                |                 |   |
| 20MM ROUNDED CORNER     | x              | x               | x                      | x                       | x              | x               | BLAZE™ X, BLAZE™ BASICS, BLAZE™, BLAZE™ SELECT, VALENT® X   |
| 20MM SQUARE CORNER      | x              | x               | x                      | x                       | x              | x               |   |
| 90° SIDEVIEW            |                |                 |                        |                         |                |                 |   |
| CANAL                   | x              | x               | x                      | x                       | x              |                 | BLAZE™ X, BLAZE™ BASICS, BLAZE™, BLAZE™ SELECT, VALENT® X   |
| GRAZER                  |                |                 | x                      |                         |                |                 |   |
| SLIM CHANNEL            | x              | x               |                        |                         | x              |                 | VALENT® X   |
| 1" MUD-IN               | x              | x               | x                      | x                       |                |                 | VALENT® X   |
| 2" MUD-IN               | x              | x               | x                      | x                       |                |                 | VALENT® X   |
| ROD (CLOSET, ART, WALL) | x              |                 | x                      |                         |                |                 | VALENT® X   |

## ADDITIONAL RESOURCES

CHROMAPATH BUILDER CHANNELS SPEC SHEET  
CHROMAPATH ALUMINUM CHANNEL INSTALL GUIDE  
CHROMAPATH VERTICAL MOUNTING BRACKET INSTALL GUIDE  
LOW VOLTAGE TAPE LIGHT SPECIFICATION SHEETS  
LOW VOLTAGE LED TAPE LIGHT INSTALL GUIDE  
VALENT® X SPEC SHEET

## SAFETY / WARNINGS / DISCLOSURES

1. Install in accordance with national and local electrical code regulations.
2. Do not modify or disassemble this product beyond instructions or the warranty will be void.
3. Mixing and matching finished hardware and accessories can result in loose or tight fit assemblies. We strongly recommend matching hardware and endcaps to the channel finish selected.
4. Actual color may vary from what is pictured on this sheet and other print materials due to the limitations of photographic processes.
5. We reserve the right to modify and improve the design of our fixtures without prior notice. We cannot guarantee to match existing installed fixtures for subsequent orders or replacements in regards to product appearance, CCT, or lumen output.

## WARRANTY

### Limited Warranty

This product has a five (5) year limited warranty from the date of shipment. This warranty does not include the additional accessories referenced in this specification sheet. Complete warranty details for fixtures and additional accessories are available at [www.diodeled.com/limited-warranty/](http://www.diodeled.com/limited-warranty/) within the Policies section. For warranty related questions please contact product support.

### Consumer's Acknowledgment

Elemental LED, Inc. stands behind its products when they are used properly and according to our specifications. By purchasing our products, the purchaser agrees and acknowledges that lighting design, configuration and installation is a complex process, wherein seemingly minor factors or changes in layout and infield adjustments can have a significant impact on an entire system. Choosing the correct components is essential. Elemental LED is able to work with the original purchaser to make an appropriate product selection to the extent of the limited information that the customer can provide, but it is virtually impossible for Elemental LED to design a system that foresees every unknown factor. For this reason, this Warranty does not cover problems caused by improper design, configuration or installation issues. Any statement from a Elemental LED employee or agent regarding a customer's bill of goods and/or purchase order is NOT an acknowledgment that the products purchased are designed and configured correctly. The purchase agrees and acknowledges that it is the customer's responsibility to adhere strictly to all information contained in the Product Specification Sheets.

There is often more than one way to design, configure and layout an LED lighting application properly to achieve the same lighting effect. Elemental LED strongly recommends that licensed professionals be used in the design and installation of lighting systems that include Elemental LED products. The specifications include important information that a designer and installer should carefully review and strictly follow. Qualified designers and certified and/or licensed installers, with access to the final installation environment, customer goals, and Elemental LED product specifications can make the requisite decisions appropriate for a successful finished lighting application.



© 2020 Elemental LED, Inc. All rights reserved.  
Specifications are subject to change without notice.  
Toll Free: 877.817.6028 | [www.elementalled.com](http://www.elementalled.com) | [solutions@elementalled.com](mailto:solutions@elementalled.com)