

DESCRIPTION

specialtyLED's RGBWFP panel features an extremely thin design which provides even illumination across the entire panel with no visible hot spots or shadows. Unlike standard solid white LED flat panels, color-changing panels have a wide variety of installation options including setting a mood in a restaurant or school, adding rolling color in a coffee shop, or being a colorful backdrop in a bar. These colorful panels are extremely versatile in their uses and are only limited by your imagination.

SPECIFICATIONS

Construction:

- Available in 1' x 4', 2' x 2' and 2' x 4' configurations
- Aluminum frame with seamless corners
- Diffusion plate with more than 90% light transmittance
- Acrylic light guide for even illumination
- Recessed design for T-bar ceiling installation
- Enlarged junction box to facilitate connections

Optics/LEDs:

- PMMA GLP and polycarbonate diffuser
- Tuneable white LEDs 2800K - 6500K
- CRI >80

Electrical:

- 120VAC, 50/60Hz
- Output 24VDC
- 36W (1' x 4' and 2' x 2'), 60W (2' x 4')
- Optional DMX512 control
- Available with LED driver and hand held RGB controller or DMX addressable decoder for connection to a building DMX512 controller (sold separately)

Testing & Compliance:

- ETL Listed
- CE Listed
- IP40 Rated
- Operating temperatures: -20°C to 50°C (-4°F to 122°F)

Available Accessories:

- STICK-KE2: Indoor 1024 channel DMX controller, controls up to six units on a single address
- POWER4M: 6VDC, 0.65A Power adapter for STICK-KE2

Installation:

- Easy installation in T-bar ceilings
- Suspended and surface mounting kits available
- Up to 6 panels can be controlled off the hand held remote when installed in the same room
- Up to 6 panels can be on the same address when being controlled with the DMX512

Warranty:

- Five Year Warranty (Terms and Conditions Apply)

Model: _____ Date: _____
Accessories: _____
Job Name: _____ Type: _____



Specs at a Glance		* Nominal Wattage	
Configuration	RGBWFP14	RGBWFP22	RGBWFP24
Dimensions	1' x 4'	2' x 2'	2' x 4'
Wattage (W)*	36W	36W	60W
CCT (K)	R: 620-630nm G: 515-525nm B: 465-470nm W: 2800K-6500K CCT		
Lumens (lm)	2700-3060	2700-3060	4500-5100
Efficacy (LPW)	80-85		
CRI	≥80		
Input Voltage	120VAC, 50/60Hz		
Operating Temp	-20°C to 50°C (-4°F to 122°F)		
Certifications	ETL Listed, CE, IP40 Rated		
Warranty	5 Years		

Note: Environment and application will affect performance. Typical values and 25°C used for testing. Specifications subject to change without notice.



Ordering Information (Example: RGBWFP22-D)

Model	Description
RGBWFP14	LED RGB+W Flat Panel, Tuneable White LEDs (2800K - 6500K), 1' x 4' Backlit, 120VAC, Includes Simple Hand Held Controller
RGBWFP22	LED RGB+W Flat Panel, Tuneable White LEDs (2800K - 6500K), 2' x 2' Backlit, 120VAC, Includes Simple Hand Held Controller
RGBWFP24	LED RGB+W Flat Panel, Tuneable White LEDs (2800K - 6500K), 2' x 4' Backlit, 120VAC, Includes Simple Hand Held Controller
RGBWFP14-D ¹	LED RGB+W Flat Panel, Tuneable White LEDs (2800K - 6500K), 1' x 4' Backlit, 120VAC, Includes Addressable DMX Decoder for DMX512 Control
RGBWFP22-D ¹	LED RGB+W Flat Panel, Tuneable White LEDs (2800K - 6500K), 2' x 2' Backlit, 120VAC, Includes Addressable DMX Decoder for DMX512 Control
RGBWFP24-D ¹	LED RGB+W Flat Panel, Tuneable White LEDs (2800K - 6500K), 2' x 4' Backlit, 120VAC, Includes Addressable DMX Decoder for DMX512 Control

Notes

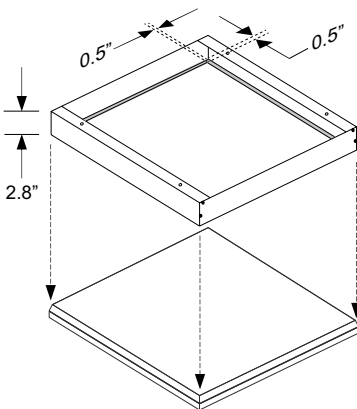
¹ Option is not ETL Listed, DMX512 control sold separately

Accessories (Order As Separate Line Item)

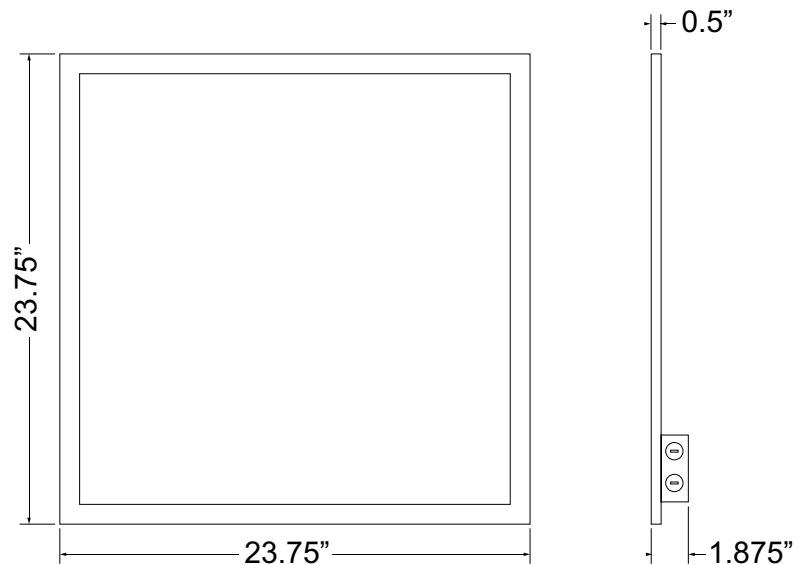
Part Number	Image	Description	Part Number	Image	Description
POWER4M		6VDC, 0.65A power adapter for STICK-KE2	STICK-KE2		DMX controller, 1024 channels. INDOOR USE ONLY (requires the use of the POWER4M power adapter)

Surface Mount Kit (LPAXX-SMK)

Optional surface mount kit (LPA14-SMK, LPA22-SMK, LPA24-SMK) allows for installation on plaster or other hard ceilings.



Dimensions



Cable Mount Kit (LPA-CMK)

Optional cable mounting kit (LPA-CMK) allows for suspended installations from any ceiling type. (6 pcs/kit, 3.2' length)

