



DALS LIGHTING

Canada
80, de la Seigneurie Blvd., E.
Blainville, Quebec J7C 4N1

U.S.A.
4383, NW 124th Ave.,
Coral Springs, Florida 33065

877.430.1818
info@dals.com
dals.com

MODEL DRR4-CC

NAME Notch

4" 5CCT 1" deep regressed panel

The Notch series of regressed downlights is characterized by a deep-set LED position which greatly reduces glare, neatly packaged in a price-conscious solution to general lighting.



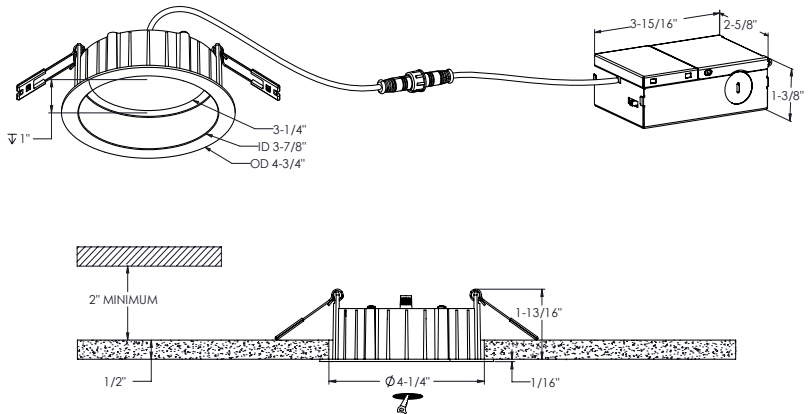
PROJECT

TYPE

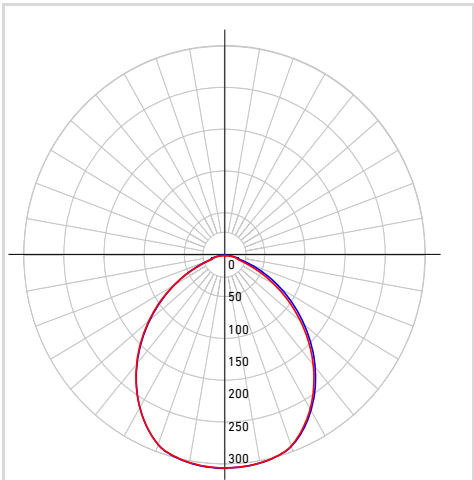
DATE

QTY

NOTES



LIGHT DISTRIBUTION



*Lumen output measured at 3000k

QUICK SPECS

Size	4"
Watts (W)	11
Delivered lumens*	800
CRI	90
Voltage (v)	120
Beam angle (deg)	100
Cut hole size (in)	4-1/4"
Lifespan (hrs)	50 000
FT rating	FT6
Binning	3 SDCM
LED model	SMD 2835
Color temperature	2700K/3000K/3500K/4000K/5000K

ELECTRICAL DETAILS

Environment	Wet
Location	Indoor/Outdoor
Operating temp. (° C)	-20 to 40
IP rating	IP44
Input voltage (V)	108-135
Output voltage (V)	30-42
Output current (mA)	268
Power factor (%)	98
Driver type	Constant current
THD	≤ 30%
Certifications	ETL, FCC, ICES, ES
Color temperature	IC, ASTM E283-04, T24/JA8

ORDERING GUIDE

DRR4-CC	-	<input type="text"/>	-	<input type="text"/>
		<i>Voltage</i>		<i>Finish</i>
		BLANK - 120v Triac dimming		WH - White <input type="radio"/>
		V - 120-277-347V 0-10v dimming		

CONSTRUCTION

Lens material	Acrylic
Optic type	Frosted lens
Finish type	Plastic
Housing material	Cast aluminium

WHAT'S IN THE BOX	ACCESSORIES	ADAPTORS
<ul style="list-style-type: none"> LED recessed fixture Junction box 3x Push-in wire connectors Mounting hardware Instruction sheet 	<ul style="list-style-type: none"> RFP-UNI Universal drilling plate RFP-46 Drilling plate 	<ul style="list-style-type: none"> REC-CC-EXT8FT 96" extension cord for recessed fixtures REC-CC-EXT20FT 240" extension cord for recessed fixtures

RECOMMENDED DIMMER LIST*

BRAND	MODEL	DIMMER SPECS	GRADE	MIN	MAX	MAX LOAD
Dals	SM-DIMSW Smart Dimmer*	Triac, 250W LED/CFL	Compatible	10	99	23
Lutron	DVCL-153PR-WH-C*	Triac, 150 W Dimmable CFL/LED	Compatible	8	99	14
Lutron	CTCL-153PDH-WH-C*	Triac, 150 W Dimmable CFL/LED	Compatible	8	99	14
Lutron	STCL-153PH-WH-C*	Triac, 150 W Dimmable CFL/LED	Compatible	0	98	14
Lutron	MACL-153MRHW-WHC*	Triac, 150 W Dimmable CFL/LED	Compatible	0	99	14
Lutron	DVELV-300P-WH	300W electronic low voltage dimmer	Compatible	9	95	27
Lutron	MA-PRO-WH*	ELV, 250W LED/CFL	Compatible	1	99	23
Lutron	Caseta PD-6WCL-WH-R-C*	Triac, 300W Dimmable CFL/LED	Compatible	2	98	14
Lutron	Caseta PD-5NE-WH-C*	ELV, LED—up to 250 W	Compatible	6	99	23
Lutron	Caseta PD-10NXD-WH*	Triac, LED—up to 250 W	Compatible	0	101	23
Leviton	DSM10-1LZ*	Triac, 450W Dimmable CFL/LED	Compatible	3	99	41
Leviton	6674*	Triac, 150 W Dimmable CFL/LED	Compatible	12	99	14
Leviton	PL06-10Z*	Triac, 150 W Dimmable CFL/LED	Compatible	10	99	13
Leviton	DSL06-1LZ*	Triac, 150 W Dimmable CFL/LED	Compatible	9	99	14
Leviton	D26HD-742-1RW*	Triac, 300W LED/CFL	Compatible	12	99	27
Legrand	RHCL453PNICCV4*	Triac, 450W Dimmable CFL/LED	Compatible	9	98	41
Legrand	ADTP703TUM4*	Triac, 450W Dimmable CFL/LED	Compatible	4	98	41
Legrand	RHL373PW*	Triac, 250W LED	Compatible	3	98	23
Control 4	C4-APD120-WH	ELV, 120W LED	Compatible	0	100	11
Control 4	C4-FPD120-WH	Triac, 200W LED	Compatible	0	100	18
TP-Link	HS220*	Triac, 150 W, Dimmable LED (MLV)	Compatible	5	100	14

*With Low-End Adjustment Feature

Minimal buzzing noise may occur with some dimmers

WARRANTY

DALS offers a 5-year warranty from the date of purchase which covers repairs or replacement of defective parts of the housing, optics, and electronics. To contact DALS customer service call 1-877-430-1818 or send an e-mail to info@dals.com.