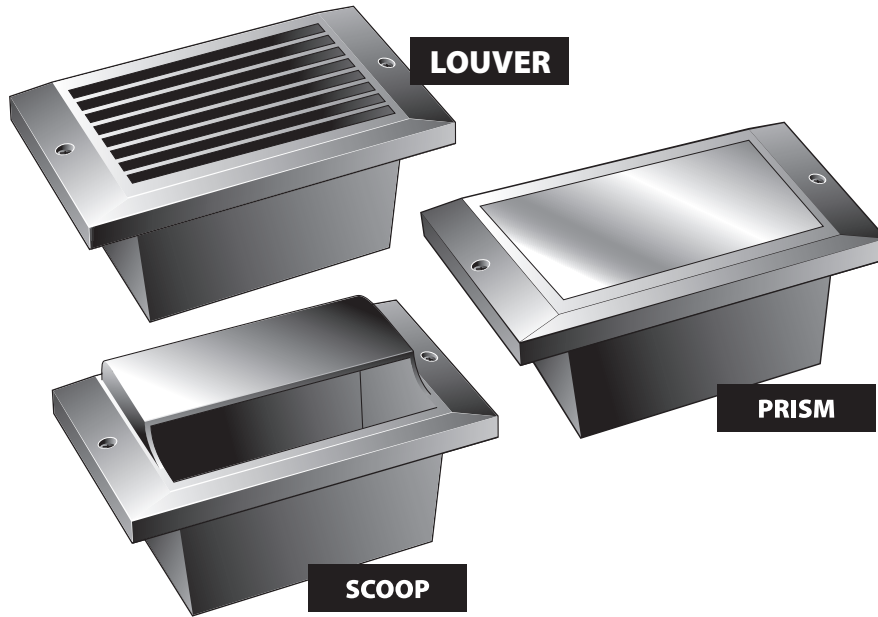


LED Step Star is a highly effective and energy efficient recessed fixture suitable for indoor and outdoor use.



Features

- 40,000-hour LED life
- Ultra low 5.2 watt energy usage per fixture
- CRI 80+
- Lumen output: 468LM
- 120VAC power input
- Up to 150 LED Step Star lights per 120VAC tap
- Die cast aluminum can and cover
- cETLus listed for indoor and outdoor applications including wet, IC, concrete pour, ceiling and shower locations
- Dimmable with most forward phase TRIAC dimming systems
- 3 year limited warranty

Specifications

LED Color	White (3000K +/-200)
Input Voltage	120V AC
Power Consumption (W)	5.2 Watts
Lumen Output	468LM
Can Finish	Powder Coated White
CRI	≥ 80+
Life Span (hours)	40,000
Lens	Frosted tempered glass
Wiring Options	Up to 150 LED Step Star lights per 120VAC tap
Approvals	cETLus listed for wall, ceiling, wet and IC locations

Ordering Code

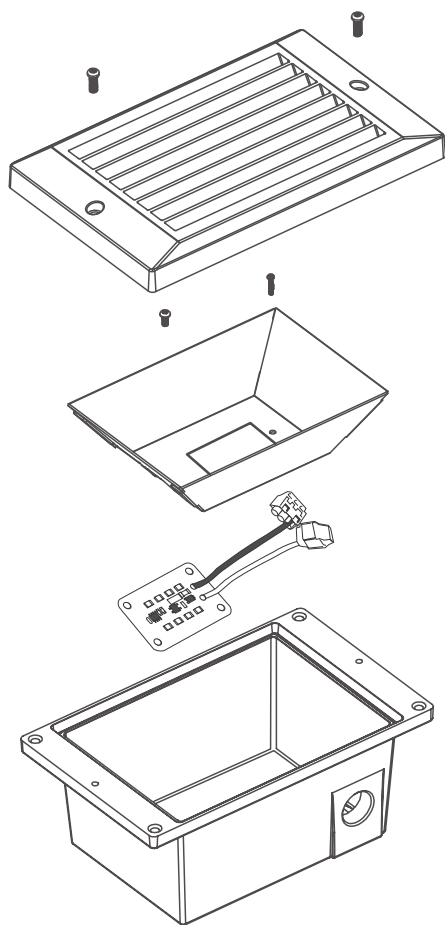
LST-II- -WH-

Cover Option Finish Color

L = Louver WH = White
P = Prism BK = Black
S = Scoop AL = Aluminum
 BZ = Bronze

Project		Type	
Date		Contact	
Notes			

LED Step Star is a highly effective and energy efficient recessed fixture suitable for indoor and outdoor use.



NOTE: for concrete installations,
please use the concrete cap SL-CC

