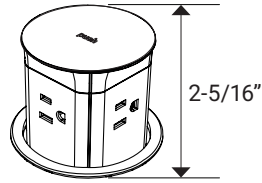
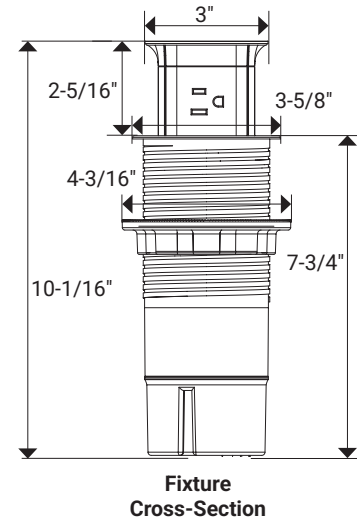
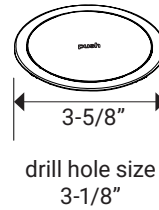




Pop-Up Height



Flush Measurement



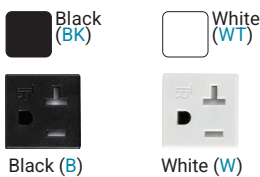
About the Product

- (4) 15-amp tamper-resistant single receptacles with overload protection
- Push down to pop-up function is rated for up to 20,000 press cycles
- IP-20 rated
- Easy installation—simply drop in, tighten, and plug into a GFCI outlet
- Compliant with 2023 National Electrical Code (NEC) standards for kitchen countertops and islands
- ETL Listed with spill proof protection

Applications

- Kitchen islands
- Conference room tables
- Offices and computer labs

Receptacle Color and Coordinating Finish



Part Number	Finish Options	Number of Single Receptacles
UPS15A4Color	Black (BK), White (WT)	4

Blue indicates dealer choice: Color indicates receptacle color.

Example part number: UPS15A4BK

Technical Information

Input Voltage	120-volt AC
Rating	ETL Listed (spill proof)
IP Rating	IP-20
Cutout Size	3-1/8"
Pop-Up Height	2-5/16"
Depth Under Counter	7-3/4" (Need min. 8" depth under countertop)
Operating Temperature	14°F to 104°F (-10°C to 40°C)
Amps	15-amp
Cord Gauge	14 AWG
Cord Length	6 Ft.
Environment	Dry locations
Construction Material	ABS (Fixture), PVC and Copper (Cord)
Warranty	1 year