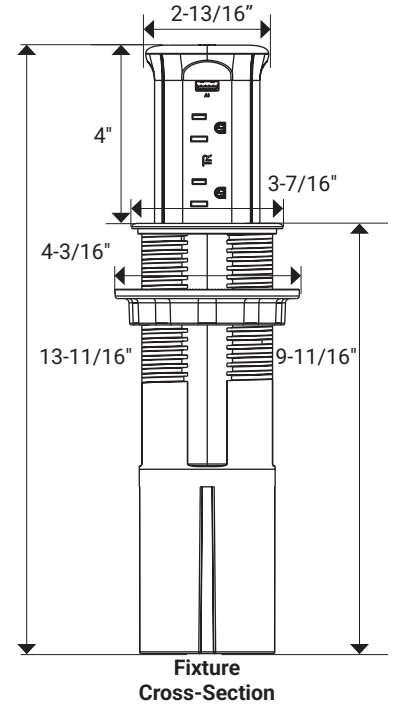
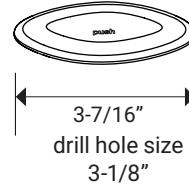


**Flush Measurement**



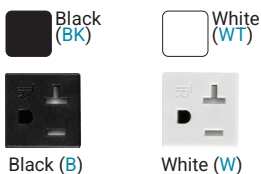
**About the Product**

- (8) 15-amp tamper-resistant single receptacles with overload protection
- (2) USB-A devices; (2) USB-C devices
- Push down to pop-up function is rated for up to 20,000 press cycles
- IP-20 rated
- Easy installation—simply drop in, tighten, and plug into a GFCI outlet
- Compliant with 2023 National Electrical Code (NEC) standards for kitchen countertops and islands
- ETL Listed with spill proof protection

**Applications**

- Kitchen islands
- Conference room tables
- Offices and computer labs

**Receptacle Color and Coordinating Finish**



Part Number	Finish Options	Number of Single Receptacles
-------------	----------------	------------------------------

UPS15A8UColor	Black (BK), White (WT)	8
---------------	------------------------	---

Blue indicates dealer choice: Color indicates receptacle color.  
Example part number: UPS15A8UBK

**Technical Information**

<b>Input Voltage</b>	120-volt AC
<b>Rating</b>	ETL Listed (spill proof)
<b>IP Rating</b>	IP-20
<b>Cutout Size</b>	3-1/8"
<b>Pop-Up Height</b>	4"
<b>Depth Under Counter</b>	9-5/8" (Need min. 10" depth under countertop)
<b>Operating Temperature</b>	14°F to 104°F (-10°C to 40°C)
<b>Amps</b>	15-amp
<b>Cord Gauge</b>	14 AWG
<b>Cord Length</b>	6 Ft.
<b>Environment</b>	Dry locations
<b>Construction Material</b>	ABS (Fixture), PVC and Copper (Cord)
<b>Warranty</b>	1 year